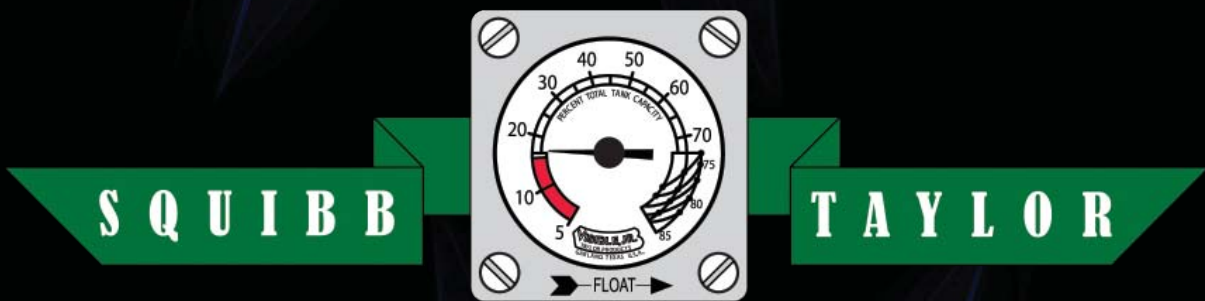


Serving the Industry since 1947



www.squibbtaylor.com

LPG Equipment Catalog LP.12

Visit our Website @ www.squibbtaylor.com for Updates, Changes, New Products
& IOM Manual - (Installation, Operation, & Maintenance Instructions)

Section Contents



Section A - Regulators & Accessories

First Stage High Pressure Vent Accessories	2-PSI Commercial / Industrial Pressure Gauge	Second Stage Low Pressure Pol Adaptors	Integral Two Stage Pigtails Test Equipment	Automatic Changeover Regulator Accessories All Other Regulators
--	--	--	--	---

Section B - Tank & Cylinder Valves

OPD Valves Liquid Level Gauges Internal Relief Valves	Cylinders Motor Fuel Valves Cylinder Valves	Cylinder Cages Vapor Service Valves Vapor Valves	Cylinder Accessories Liquid Withdrawal Valves Relief/Hydrostatic Valves	Forklift Valves Filler Valves Multi-Valves
---	---	--	---	--

Section C - Tank Gauges

Junior Gauges RoadMaster Gauges Will Call Monitor	Senior Gauges Master Gauges Stationary Tank Monitor	Threaded Gauges Eliminator Gauges Ordering Information	Vertical Cylinder Gauges Rotary Gauges Gauge Dials	Lift Truck Gauges Flow Indicators
---	---	--	--	--------------------------------------

Section D - Brass Adaptors & Acme Fittings

Acme Adaptors Acme Plugs QCC Filler Couplings	Adaptor Caps Rings & Chains QCC Adaptors	Acme Filler Couplings Pol Filler Couplings	Acme Vapor Couplings Safe-T-Locks	Acme Caps QCC Adaptors
---	--	---	--------------------------------------	---------------------------

Section E - Hose & Hose Ends

Vapor Hose Low Pressure Hose Assy Hose Fittings	Vapor Hose Assy High Pressure Hose Band-It®	Bulk Delivery Hose High Pressure Hose Assy Hose Buddy	Bulk Delivery Hose Assy Pro-Tecto Wrap Wetlines	Low Pressure Hose Motor Fuel Hose
---	---	---	---	--------------------------------------

Section F - Plumbing Valves & Fittings

Copper Tubing Schedule 40 Fittings Gastite	Flaring Tools Schedule 80 Fittings Gas Grill Hook-Ups	Tubing Tools Dormont Connectors Dielectric Unions	Brass Fittings Poly Pipe Anodes	Brass Ball Valves Continental Fittings Vapor Meters
--	---	---	---------------------------------------	---

Section G - Pumps, Liquid Meters, & Vaporizers

Corken Veeder-Root Registers Krug Compressors	Baldor Motors Neptune Meters Pressure Gauges	Blackmer Algas Vaporizers	Bypass Valves Strainers	Liqua-Tech Meters Dispenser Cabinets
---	--	------------------------------	----------------------------	---

Section H - Bulk Tank & Bobtail

Globe & Angle Valves Relief Valves Remote Shutdown Systems	Quick Acting Valves Excess Flow Valves Passive Shutdown Systems	Internal Valves Back Check Valves Braided Connectors	Actuators Tripods / Bulkheads Strainers	Emergency Shutoff Valves Tripin Loading Arm Hose Reels
--	---	--	---	--

Section I - Miscellaneous

Gloves Decals R.V. / Camping Fittings	Lighters Torches Orifices	Tola Mr. Heater Carburetion	Thread Sealants Shop Heaters Gaskets & O-Rings	Valve Locks Rubber Pigtails
---	---------------------------------	-----------------------------------	--	--------------------------------

Section A Index			
• Bent Copper Pigtales	19	• Pressure Gauges	24
• Compact High Pressure Regulators	30	• R.V. Changeover Regulators	29
• Copper Pigtales	20	• R.V. Low Pres. Two Stage Regulators	29
• Diaphragm Relief Valves	19	• Regulator Plug, Adaptor, & Filter Assy	21
• Dwyer Manometers	28	• Schrader Valve	27
• Fisher 2-PSI Service Regulators	5	• Tee Blocks	22
• Fisher Appliance Regulators	21	• Tee Checks	22
• Fisher Automatic Changeover Regulators	8		
• Fisher Changeover Manifold Regulators	8	Regulators	
• Fisher First-Stage Regulators	5	• 1098 Series	17
• Fisher High Pressure Regulators	9	• 299H & 133 Series	12
• Fisher Integral 2-PSI Regulators	7	• 627, 630, & 1301F Series	10
• Fisher Integral Two-Stage Regulators	7	• 64 Series	9
• Fisher Mounting Brackets	21	• 67C Series	9
• Fisher Remote Indicator	8	• 912 Series	21
• Fisher Second-Stage Regulators	6	• 98H, 1805, & 289H Series	19
• Fisher Vent Assemblies	23	• 99 Series (High Pressure)	11
• Fisher Vent Protector	21	• 99 Series (Low Pressure)	12
• Flex Vent Regulator Vent Kit	23	• CS200, CS400, & CS800 Series	13-14
• Gauge Snubber	24	• CS205, CS403, & CS404 Series	15-16
• High Pressure Fisher Regulators (627 & 630)	10	• HSRL Series	6
• High Pressure Test Equipment	28	• R122H Series	5
• Liquid Service Relief Valves	19	• R222 Series	6
• Low Pressure Fisher Regulators	12	• R232A & R232E Series	7
• Low Pressure Single Stage Regulators	30	• R622 Series	6
• Low Pressure Test Equipment	27	• R622E Series	5
• Monitor Systems	17-18	• R622H Series	5
• Pilot Operated Fisher Regulators (99)	11	• R632A & R632E Series	7
• Pol Adaptors	25-26	• R642 & R652 Series	6
• POL Plugs, Caps, & Tool	25	• R652E Series	5

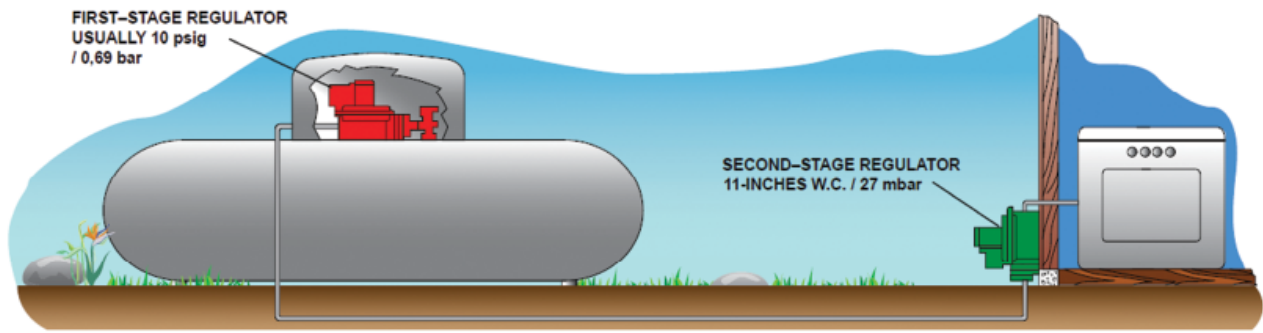


Figure 1. Two-Stage Regulation, One at Tank & One at Building, Reduce Pressure Down to Burner Pressure (11" w.c. / 27 mbar)

Two-Stage Systems

Regulator Technologies Fisher® brand makes the LP-Gas industry's largest variety of First & Second-Stage regulators for domestic and commercial/industrial applications.

A Two-Stage system (Figure 1) uses two regulators to cut the supply pressure from the storage tank to the appliance. The Two-Stage system supplies a constant outlet pressure to the appliance. With more uniform pressure, appliances work better. Single-Stage regulators should be replaced with Two-Stage or Integral Two-Stage systems to comply with code requirements such as NFPA 58.

With a Two-Stage System, A First-Stage regulator supplies a nearly constant inlet pressure around 8 - 10 psig / 0,55 - 0,69 bar to a Second-Stage regulator. This means the Second-Stage unit does not have to attempt to compensate for widely varying inlet pressures. Second-Stage pressure can be adjusted at the building as desired.

First-Stage Regulators

First-Stage regulators reduce tank pressure to a lower pressure (usually 10 psig / 0,69 bar) for a Second-Stage regulator. Fisher brand First-Stage regulators are painted red for easy identification. Vents are screened with standard orientation over the outlet.

Two-PSI Service Regulators

Two-PSI Service regulators serve as an intermediate regulator after the First-Stage regulator. These regulators are designed for 2 psig / 0,14 bar LP-Gas regulator systems. Fisher brand 2-PSI regulators are painted white or are green with white closing caps for easy identification.

Second-Stage Regulators

Second-Stage Regulators reduce the pressure from a First-Stage unit to 11" w.c. / 27 mbar in domestic installations. Vents are screened with standard orientation over the inlet; however, other vent orientations are available. Fisher brand Second-Stage Regulators are normally painted palm green for easy identification.

Integral Two-Stage Regulators

Integral Two-Stage units combine a First-Stage regulator & Second-Stage regulator into one compact unit and are recommended for installations where piping distance between the building being served and the tank is short. Integral Two-Stage regulators provide all the advantages of Two-Stage regulation. These units are color coded gray for easy identification. Vents are screened with standard orientation over the outlet.

Five Reasons to Two-Stage

1. Compliance with Code Requirements such as NFPA 58

2. Fewer Trouble Calls

With a Two-Stage system, one can expect fewer customer trouble calls due to regulator freeze-ups from too much water in the gas. A Two-stage regulator reduces these possibilities in two ways:

- a) a larger orifice can be used, making it more difficult for ice to build up and block the orifice, and
- b) more heat can be transferred through the walls of two regulators than one.

3. Smaller Pipe or Tubing

Due to the higher pressure between the First & Second-Stage units, smaller pipe or tubing can be used on a Two-Stage system. These savings can make a Two-Stage system more economical to install than a Single-Stage.

4. Constant Appliance Pressure

With a Two-Stage system, a First-Stage regulator supplies a nearly constant inlet pressure of 8 - 10 psig / 0,55 bar - 0,69 bar to a Second-Stage regulator. This means that the Second-Stage regulator does not have to attempt to compensate for widely varying inlet pressures. With more uniform pressure, appliances work better, and customers are less likely to experience problems that result in service calls.

5. Keep Downstream Pressure Below 2 psig / 0,14 bar

Second-Stage and Integral Two-Stage regulators have internal pressure relief valves, which limit the outlet pressure to 2 psig / 0,14 bar when the seat disc is removed and the inlet pressure is 10 psig / 0,69 bar or less as specified in *UL 144, STANDARD FOR LP-GAS REGULATORS*.

When to Two-Stage

Two-Stage systems whenever the following conditions exist:

1. Compliance with regulation codes.
2. There is a possibility of moisture in the LP-Gas.
3. Wide fluctuations in gas demand exist.
4. Winter & summer temperatures vary greatly.

FISHER Application: Regulators

Introduction

The regulator truly is the heart of an LP-Gas installation. It must compensate for variations in tank pressure from 8 to 250 psig / 0.55 to

R642 Second-Stage
Page 6

67CW High-Pressure
Page 9

R622 Second-Stage
Page 6

R622H First-Stage
Page 5

R222 Second-Stage
Page 6

R622 Second-Stage
Page 6

R122H First-Stage
Page 5

99 First-Stage
Page 11

299H Second-Stage
Page 12

1098 First-Stage
Page 17

Features*

- Corrosion-Resistant and Wear-Resistant Materials
- Stainless Steel Inlet Screen
- Large Drip-Lip Vent
- High Capacity Relief
- Easy Installation
- Improved Regulation
- Built-in Gauge Taps

*Features Vary By Model.

Reference LP-31 2011

17.2 bar and deliver a constant outlet pressure of LP-Gas typically at 11-inches w.c. / 27 mbar to consuming appliances. The regulator must deliver this pressure despite the intermittent use of the appliances.

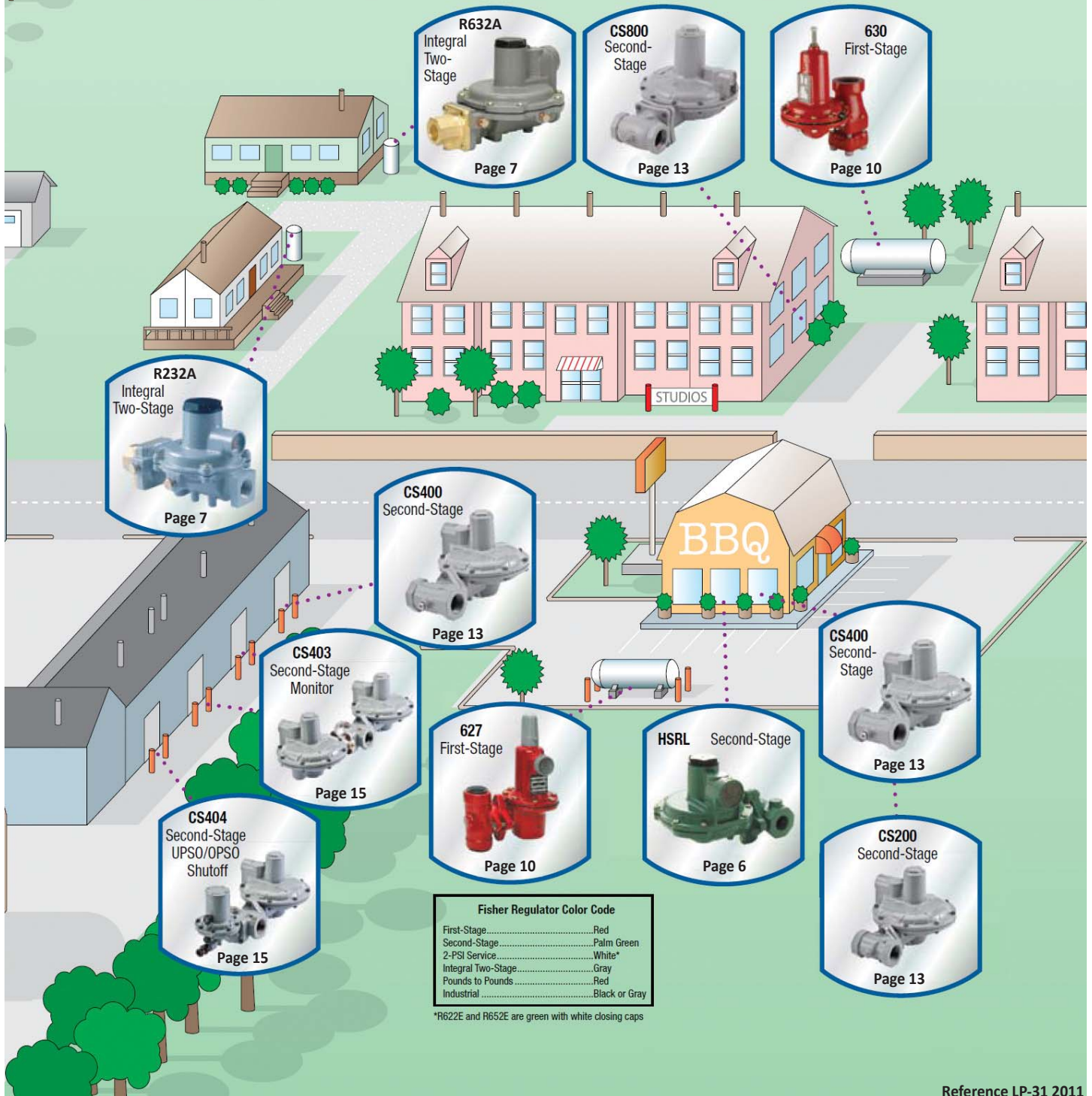
In propane service, NFPA 58 requires Two-Stage regulation on all fixed piping systems that serve 14-inches w.c. / 35 mbar appliance systems (normally operated at 11-inches w.c. / 27 mbar pressure). Two-Stage regulation produces a nearly

constant pressure to the appliance and can result in a more efficient LP-Gas operation for the dealer resulting in less maintenance and fewer installation call-backs.

With properly selected regulators, the internal relief valve provides 2 psig / 0.14 bar overpressure protection as required by NFPA 58.

Emerson Process Management Regulator Technologies Inc. (Regulator Technologies) is a

leading international supplier of cost-effective products, services, and solutions used in the propane industry. Around the world, Regulator Technologies and its distributors offer quality products as well as applications engineering, education programs, and after sales service. For any of the products described in this catalog, contact the Fisher® LP-Gas Equipment distributor near you.



Fisher First-Stage Regulators

Item Number	Part Number	Capacities in BTU per hour / SCMH Propane ⁽¹⁾⁽³⁾	Inlet Connection, Inches	Outlet Connection, Inches	Outlet Adjustment Range, PSIG / bar	Outlet Pressure Setting, PSIG / bar	Case Quantity
123033	R122H-AAJ ⁽⁴⁾	1,100,000 / 12,4	1/4" FNPT	1/2" FNPT	Non-Adjustable	10 / 0,69	10 Pcs.
123034	R122H-AAJXB ⁽²⁾⁽⁴⁾						10 Pcs.
124664	R622H-BGK	2,000,000 / 22,5	1/2" FNPT	3/4" FNPT	4 - 6 / 0,28 - 0,41	5 / 0,34	10 Pcs.
124680	R622H-HGK						10 Pcs.
124695	R622H-JGK	2,250,000 / 25,3	FPOL	3/4" FNPT	8 - 12 / 0,55 - 0,83	10 / 0,69	10 Pcs.
124662	R622H-BGJ	2,100,000 / 23,6	1/2" FNPT	1/2" FNPT			10 Pcs.
124670	R622H-DGJ	2,400,000 / 27,0	3/4" FNPT	3/4" FNPT	8 - 12 / 0,55 - 0,83	10 / 0,69	10 Pcs.
124675	R622H-HGJ	2,100,000 / 23,6	FPOL	1/2" FNPT			10 Pcs.
124690	R622H-JGJ	2,250,000 / 25,3	FPOL	3/4" FNPT			10 Pcs.

1. Based on 30 psig / 2,1 bar inlet pressure and 20% droop.
2. Vent over gauge taps.
3. Metric conversion is based on 2516 BTU/ft³ of gas at 60°F / 16°C.

4. Compact



R122H



R622H

Fisher 2-PSI Service Regulators

Item Number	Part Number	Capacities in BTU per hour / SCMH Propane ⁽¹⁾	Connections Inlet X Outlet, Inches	Outlet Pressure Range, PSIG / bar	Outlet Pressure Setting, PSIG / bar	Case Quantity
124595	R622E-BCH	1,460,000 / 16,4	1/2" X 1/2" FNPT	1 - 2.2 / 69 mbar - 0,15	2 / 0,14	10 Pcs.
124596	R622E-DCH	1,680,000 / 18,9	3/4" X 3/4" FNPT			10 Pcs.
124802	R652E-DFH ⁽³⁾	1,500,000 / 16,9				10 Pcs.

1. Based on 10 psig / 0,69 bar inlet pressure and 20% droop.
2. Back Mount.



R652E



R622E

Fisher Second Stage Regulators



Fisher Second-Stage Regulators							
Item Number	Part Number	Capacities in BTU per hour / SCM ³ Propane ⁽¹⁾	Inlet Connection, Inches	Outlet Connection, Inches	Outlet Pressure Range, Inches W.C. / mbar	Outlet Pressure Setting, Inches W.C. / mbar	Case Quantity
123075	R222-BAF ⁽²⁾	650,000 / 7,3	1/2" FNPT	1/2" FNPT	9.5 - 13 / 24 - 32	11 / 27	10 Pcs.
124616	R622-BCF	875,000 / 9,8		1/2" FNPT	10 Pcs.		
124625	R622-CFF	1,400,000 / 15,8	3/4" FNPT	3/4" FNPT	9 - 13 / 22 - 32		10 Pcs.
124639	R622-DFF						10 Pcs.
124775	R642-DFF ⁽³⁾	920,000 / 10,4	3/4" FNPT	3/4" FNPT	10 Pcs.		
124801	R652-CFF ⁽⁴⁾	1,000,000 / 11,3	1/2" FNPT	3/4" FNPT	13 - 20 / 32 - 50		10 Pcs.
124800	R652-DFF ⁽⁴⁾		3/4" FNPT				10 Pcs.
124635	R622-CFGXA	1,125,000 / 12,7	1/2" FNPT	3/4" FNPT	18 / 45	10 Pcs.	
123211	HSRL-BFC	2,300,000 / 25,9	3/4" FNPT	3/4" FNPT	9 - 13 / 22 - 32	11 / 27	10 Pcs.
123212	HSRL-CFC	2,600,000 / 29,3	1" FNPT	1" FNPT			10 Pcs.

1. Based on 10 psig / 0,69 bar inlet pressure and 2" W.C. / 5 mbar droop.
3. Angle Mount.

2. Compact.
4. Back Mount.



R222



R622



R652



R642



HSRL

Fisher Integral Two-Stage Regulators

Item Number	Part Number	Capacities in BTU per hour / SCMH Propane ⁽¹⁾	Inlet Connection, Inches	Outlet Connection, Inches	Outlet Adjustment Range, Inches W.C. / mbar	Outlet Pressure Setting, Inches W.C. / mbar	Case Quantity
123104	R232A-BBF ⁽²⁾	550,000 / 5,1	1/4" FNPT	1/2" FNPT	9.5 - 13 / 24 - 32	11 / 27	10 Pcs.
123106	R232A-HBF ⁽²⁾		F. POL				10 Pcs.
124710	R632A-BCF	850,000 / 9,6	1/4" FNPT	1/2" FNPT	9 - 13 / 22 - 32		10 Pcs.
124716	R632A-HCF		F. POL				10 Pcs.
124713	R632A-CFF	900,000 / 8,4	1/4" FNPT	3/4" FNPT			10 Pcs.
124718	R632A-JFF	850,000 / 9,6	F. POL				10 Pcs.

1. Based on 30 psig / 2,1 bar inlet pressure and 2-inches W.C. / 5 mbar droop.

2. Compact.



R232A



R632A

Fisher Integral 2-PSI Regulators

Item Number	Part Number	Capacities in BTU per hour / SCMH Propane ⁽¹⁾	Inlet Connection, Inches	Outlet Connection, Inches	Outlet Pressure Setting, PSIG / mbar	Case Quantity
123108	R232E-BBH ⁽²⁾	500,000 / 5,1	1/4" FNPT	1/2" FNPT	2 PSIG / 0.14 bar	10 Pcs.
123110	R232E-HBH ⁽²⁾		F. POL			10 Pcs.
124720	R632E-BCH	850,000 / 9,6	1/4" FNPT	1/2" FNPT		10 Pcs.
124724	R632E-HCH	900,000 / 9,6	F. POL			10 Pcs.
124722	R632E-CFH	850,000 / 9,6	1/4" FNPT	3/4" FNPT		10 Pcs.
124726	R632E-JFH		F. POL			10 Pcs.

1. Based on 30 psig / 2,1 bar inlet pressure and 20% droop.

2. Compact.



R232A



R632A

Fisher Automatic Changeover Regulators



Fisher Automatic Changeover Regulators					
Item Number	Part Number	Capacities in BTU per hour / SCM ³ Propane ⁽¹⁾	Inlet Connection, Inches	Outlet Connection, Inches	Vent Size, Inches
123160	R962-31	600,000 / 6,7	1/4" Inverted Flare	1/2" FNPT	3/4" FNPT

1. Capacity based on 30 PSIG / 2,1 bar inlet pressure, 11" W.C. / 27 mbar outlet pressure setting, & 2" W.C. / 5 mbar droop.



R962-31



64SR-122

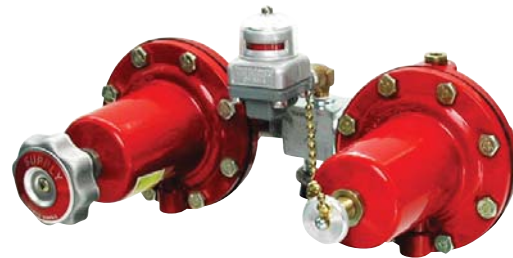
Fisher Commercial Automatic Changeover Regulators						
Item Number	Part Number	Capacities in BTU per hour / SCM ³ Propane ⁽¹⁾	Inlet Connection, Inches	Outlet Connection, Inches	Outlet Pressure Setting, PSIG / bar	Outlet Adjustment Range, PSIG / bar
123547	64SR/122	1,210,000 / 13,6	1/2" FNPT	1/2" FNPT	10 / 0,69	5 - 20 / 0,34 - 1,4

Fisher Changeover Manifold Regulators						
Item Number	Part Number	Capacities in BTU per hour / SCM ³ Propane ⁽¹⁾	Inlet Connection, Inches	Outlet Connection, Inches	Outlet Pressure Setting	
					Supply Setting, PSIG / bar	Reserve Setting, PSIG / bar
123003	R130-21	1,475,000 / 16,6	1/4" FNPT	1/4" FNPT	45 / 3,1	30 / 2,1
123859	749B-21	1,500,000 / 16,9	1/2" FNPT	1/2" FNPT	15 / 1,0	5 / 0,34

1. Based on 100 PSIG / 6,9 bar inlet, reserve setting.



R130-21



749B-21

Fisher Remote Indicator			
Item Number	Part Number	Part Description	Case Quantity
123855	803-21	Indicator Only	24 Pcs.



803-21

Fisher High Pressure Regulators							
Item Number	Part Number	Description	Capacities in BTU per hour / SCMH Propane ⁽¹⁾	Outlet Pressure Setting, PSIG / bar	Outlet Adjustment Range, PSIG / bar	Inlet & Outlet Connections, Inches	Case Quantity
123555	67CW-683	Basic Regulator (Wrench Adjustment)	675,000 / 7,6	15 / 1,0	3 - 20 / 0,21 - 1,4	1/4" FNPT	12
123560	67CW-684		750,000 / 8,4	20 / 1,4	3 - 35 / 0,21 - 2,4		12
123565	67CW-685		1,200,000 / 13,5	40 / 2,8	30 - 60 / 2,1 - 4,1		12
123585	67CW-701		1,000,000 / 11,3	50 / 3,4	50 - 120 / 3,4 - 8,3		12
123620	67CH-751	Basic Regulator (Handwheel Adjustment)	675,000 / 7,6	15 / 1,0	3 - 20 / 0,21 - 1,4		12
123600	67CH-743		750,000 / 8,4	20 / 1,4	3 - 35 / 0,21 - 2,4		12
123595	67CH-742		1,200,000 / 13,5	40 / 2,8	30 - 60 / 2,1 - 4,1		12
123590	67CH-741		1,000,000 / 11,3	50 / 3,4	50 - 120 / 3,4 - 8,3		12
123625	67CD-100	Dial Cap Adjustment	675,000 / 7,6	15 / 1,0	5 - 20 / 0,34 - 1,4		10
123630	67CD-102		1,200,000 / 13,5	40 / 2,8	20 - 50 / 1,4 - 3,4		10
123635	67CD-103		1,000,000 / 11,3	50 / 3,4	40 - 100 / 2,8 - 6,9		10
123665	67CN-106	Non-Adjustable	400,000 / 4,5	10 / 0,69	Non-Adjustable		12
123664	67CN-104		600,000 / 6,7	15 / 1,0			12
123650	67CN-105		750,000 / 8,4	20 / 1,4			12

1. Based on inlet pressure 20 PSIG / 1,4 bar greater than outlet with 20% droop; Liquid capacity = 3 - 5 GPH / 11,4 - 18,9 l/hr.



Type 67CW



Type 67CH



Type 67CD



Type 67CN



64 Series

Fisher High Pressure Regulators							
Item Number	Part Number	Description	Capacities in BTU per hour / SCMH Propane ⁽¹⁾	Outlet Pressure Setting, PSIG / bar	Outlet Adjustment Range, PSIG / bar	Inlet & Outlet Connections, Inches	Case Quantity
123500	64-33	Basic Regulator	2,625,000 / 29,6	10 / 0,69	3 - 15 / 0,21 - 1,0	1/2" FNPT	6 Pcs.
123505	64-35		3,600,000 / 40,5	20 / 1,4	5 - 35 / 0,34 - 2,4		6 Pcs.
123510	64-36		4,150,000 / 46,7	40 / 2,8	30 - 60 / 2,1 - 4,1		6 Pcs.
123520	64-222		5,250,000 / 59,1	50 / 3,4	35 - 100 / 2,4 - 6,9		6 Pcs.
123535	64SR-21	With Internal Relief Valve	2,625,000 / 29,6	10 / 0,69	3 - 15 / 0,21 - 1,0		6 Pcs.
123540	64SR-22		3,000,000 / 33,8	15 / 1,0	5 - 20 / 0,34 - 1,4		6 Pcs.
123545	64SR-23		3,600,000 / 40,5	20 / 1,4	5 - 35 / 0,34 - 2,4		6 Pcs.

1. Based on inlet pressure 20 PSIG / 1,4 bar greater than outlet with 20% droop; Liquid capacity = 160 GPH / 606 l/hr.

High Pressure Commercial/Industrial Fisher Regulators							
Item Number	Part Number	Capacities in BTU per hour / SCMH Propane ⁽¹⁾	Orifice Size, Inches / mm	Inlet & Outlet Connections, Inches	Outlet Pressure Range, PSIG / bar	Outlet Pressure Setting, PSIG / bar	Maximum Operating Inlet Pressure, PSIG / bar
Special Order	627R-113 ⁽⁵⁾	6,080,000 / 68,4	3/8" / 9,5	3/4" FNPT	5 - 20 / 0,34 - 1,4	10 / 0,69	200 / 13,8
123705	627-5810 ⁽³⁾	6,080,000 / 68,4					250 / 17,2
Special Order	627-5810V	6,080,000 / 68,4					250 / 17,2
Special Order	627M-421 ⁽⁴⁾	10,755,000 / 121	1/2" / 13	3/4" FNPT	5 - 20 / 0,34 - 1,4	10 / 0,69	250 / 17,2
Special Order	627R-117 ⁽⁵⁾	10,755,000 / 121					200 / 13,8
123708	627-6210 ⁽³⁾	10,755,000 / 121					250 / 17,2
Special Order	627-6210V	10,755,000 / 121	250 / 17,2				
Special Order	627R-193 ⁽⁵⁾	7,434,000 / 83,5	3/8" / 9,5	1" FNPT	5 - 20 / 0,34 - 1,4	10 / 0,69	200 / 13,8
Special Order	627-117	14,632,000 / 164			15 - 40 / 1,0 - 2,8	40 / 2,8	250 / 17,2
Special Order	627-493	14,632,000 / 164			250 / 17,2		
Special Order	627R-194 ⁽⁵⁾	14,632,000 / 164	200 / 13,8				
123727	627-496	10,773,000 / 121	1/2" / 13	1" FNPT	5 - 20 / 0,34 - 1,4	10 / 0,69	250 / 17,2
123726	627-576	10,773,000 / 121					250 / 17,2
Special Order	627M-471 ⁽⁴⁾	10,773,000 / 121					250 / 17,2
Special Order	627R-197 ⁽⁵⁾	10,773,000 / 121	200 / 13,8				
123715	627-7710 ⁽³⁾	10,773,000 / 121	250 / 17,2				
Special Order	627-7710V	10,773,000 / 121	250 / 17,2				
123716	627-497	14,837,000 / 167	1/2" / 13	2" FNPT	15 - 40 / 1,0 - 2,8	40 / 2,8	250 / 17,2
123666	627R-198 ⁽⁵⁾	14,837,000 / 167			200 / 13,8		
123737	627-577	20,948,000 / 235			250 / 17,2		
123723	627M-268 ⁽⁴⁾	20,948,000 / 235	250 / 17,2				
123720	630-104/78	14,000,000 / 158	1/2" / 13	2" FNPT	8 - 20 / 0,55 - 1,4	10 / 0,69	250 / 17,2
Special Order	630-104/78F	14,000,000 / 158	1/2" / 13	2" / DN 50 CL300 FF	8 - 20 / 0,55 - 1,4	10 / 0,69	250 / 17,2
123695	1301F-1	3,863,000 / 43,5 ⁽²⁾	5/64" / 2,0	1/4" FNPT	10 - 75 / 0,69 - 5,2	75 / 5,2	6000 / 414

1. For Types 627 & 630, capacity based on inlet pressure 20 PSIG / 1,4 bar greater than outlet pressure, Internal registration, & 20% droop.

2. Capacity based on 2000 PSIG / 138 bar inlet pressure and 10% droop.

3. UL listed construction.

4. For Monitor Applications. Standard with blocked throat & external sensing.

5. "R" denotes token relief. Check with your LP-Gas Equipment Distributor on relief capacities.

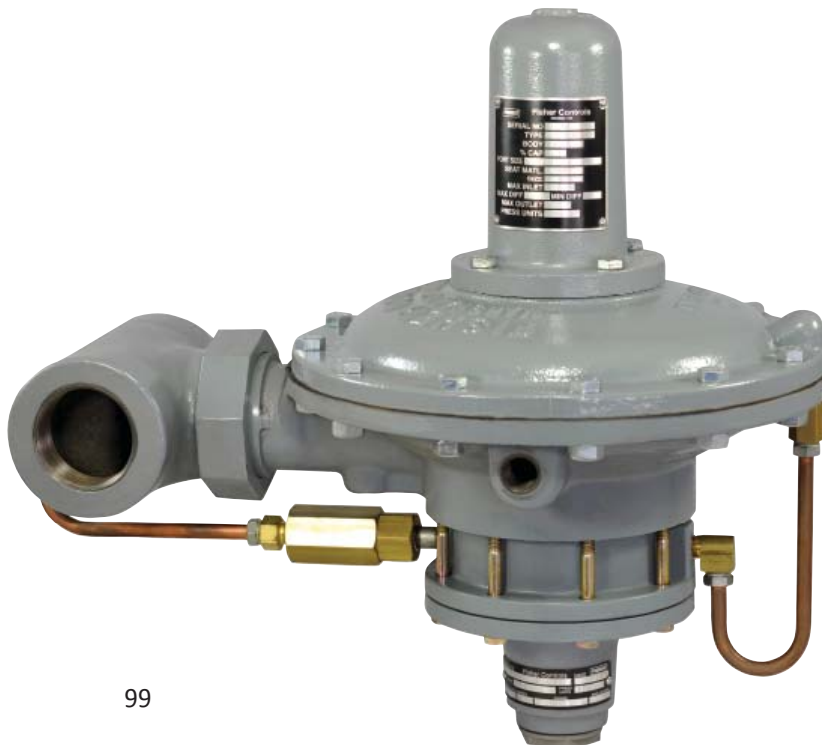
NOTE: Additional spring ranges & body styles are available. Ask your LP-Gas Equipment Distributor for additional configurations & for more information.



Pilot Operated High Pressure Commercial/Industrial Fisher Regulators

Item Number	Part Number	Capacities in BTU per hour / SCM ^H Propane ⁽¹⁾	Orifice Size, Inches / mm	Inlet & Outlet Connections	Outlet Pressure Range, PSIG / bar	Outlet Pressure Setting, PSIG / bar	Maximum Operating Inlet Pressure, PSIG / bar		
123688	99-510P	29,400,000 / 331	7/8" / 22	2" FNPT	7" W.C. - 2 / 17 mbar - 0,14	1 / 69 mbar	250 / 17,2		
123738	99F-510P			2" / DN 50 CL300 FF					
123690	99-511P	33,206,000 / 374		2" FNPT	1 - 5 / 69 mbar - 0,34	5 / 0,34			
123739	99F-511P			2" / DN 50 CL300 FF					
123694	99-513P	36,368,000 / 409		2" FNPT	2 - 10 / 0,14 - 0,69	10 / 0,69			
123745	99F-513P			2" / DN 50 CL300 FF					
123692	99-512P	37,950,000 / 427		2" FNPT	5 - 15 / 0,34 - 1,0	15 / 1,0			
123740	99F-512P			2" / DN 50 CL300 FF					
123697	99-515P	41,112,000 / 463		2" FNPT	10 - 20 / 0,69 - 1,4	20 / 1,4			
123747	99F-515P			2" / DN 50 CL300 FF					
123696	99-903P	44,275,000 / 498		2" FNPT	10 - 65 / 0,69 - 4,5	30 / 2,1			
Special Order	99F-903P			2" / DN 50 CL300 FF					
Special Order	99-502PH	50,600,000 / 570		1 1/8" / 29	2" FNPT	1 - 5 / 69 mbar - 0,34		5 / 0,34	300 / 20,7
Special Order	99F-502PH				2" / DN 50 CL300 FF				
Special Order	99-503PH	61,688,000 / 694	2" FNPT		2 - 10 / 0,14 - 0,69	10 / 0,69			
Special Order	99F-503PH		2" / DN 50 CL300 FF						
123683	99-504PH	63,250,000 / 712	2" FNPT		5 - 15 / 0,34 - 1,0	15 / 1,0			
Special Order	99F-504PH		2" / DN 50 CL300 FF						
123687	99-505PH	67,993,000 / 765	2" FNPT		10 - 20 / 0,69 - 1,4	20 / 1,4			
Special Order	99F-505PH		2" / DN 50 CL300 FF						
123689	99-901PH	74,318,000 / 837	2" FNPT		10 - 65 / 0,69 - 4,5	30 / 2,1			
123750	99F-901PH		2" / DN 50 CL300 FF						

1. Capacity based on inlet pressure 20 PSIG / 1,4 bar greater than outlet pressure, external registration, & 20% droop.
 NOTE: Additional spring ranges & body styles are available. Ask your LP-Gas Equipment Distributor for more information.



Low Pressure Commercial/Industrial Fisher Regulators							
Item Number	Part Number	Capacities in BTU per hour / SCMH Propane ⁽¹⁾	Orifice Size, Inches / mm	Inlet & Outlet Connections, Inches	Outlet Pressure Range, PSIG / bar	Outlet Pressure Setting, PSIG / bar	Maximum Operating Inlet Pressure, PSIG / bar
Special Order	S201-CNC	21,600,000 / 243	1" / 25	2" FNPT	9" - 18" W.C. / 22- 44 mbar	11" W.C. / 27 mbar	25 / 1,7
123709	299H-101	13,100,000 / 148 ⁽¹⁾	3/4" / 19	1 1/2" FNPT	9" - 20" W.C. / 22 - 50 mbar	11" W.C. / 27 mbar	150 / 10,3
123710	299H-102	19,700,000 / 222 ⁽¹⁾		2" FNPT			
123711	299H-103	23,300,000 / 262 ⁽²⁾		1 1/2" FNPT	6" - 16" W.C. / 0,41 - 1,1 bar	10 PSIG / 0,69 bar	
123712	299H-104	38,000,000 / 428 ⁽²⁾		2" FNPT			
Special Order	299H-105	20,400,000 / 230 ⁽³⁾		1 1/2" FNPT	9" - 20" W.C. / 22 - 50 mbar	11" W.C. / 27 mbar	
Special Order	299H-106			2" FNPT			
Special Order	299H-107	38,000,000 / 428 ⁽⁴⁾		1 1/2" FNPT	6" - 16" W.C. / 0,41 - 1,1 bar	10 PSIG / 0,69 bar	
123714	299H-108			2" FNPT			
123677	99-501P	49,000,000 / 552 ⁽⁶⁾	1 1/8" / 29	2" FNPT	7" W.C. - 2 PSIG / 17 mbar - 0,14 bar	1 PSIG / 69 mbar	150 / 10,3
123680	99-502P	50,600,000 / 570 ⁽⁶⁾			1 - 5 PSIG / 69 mbar - 0,34 bar	5 PSIG / 0,34 bar	
123682	99-503P	61,650,000 / 694 ⁽⁶⁾			2 - 10 PSIG / 0,14 - 0,69 bar	10 PSIG / 0,69 bar	
123684	99-504P	63,250,000 / 712 ⁽⁶⁾			5 - 15 PSIG / 0,34 - 1,0 bar	15 PSIG / 1,0 bar	
123699	133L-4	70,875,000 / 798 ⁽³⁾			2" / 51	8.5" - 18" W.C. / 21 - 45 bar	
123698	133H-1	66,150,000 / 745 ⁽⁵⁾	1.5 PSIG / 0,10 - 0,21 bar	3 PSIG / 0,21 bar			

1. Capacity based on inlet pressure of 10 PSIG / 0,69 bar, Internal Registration & 2" W.C. / 5 mbar droop.
 2. Capacity based on inlet pressure of 20 PSIG / 1,4 bar higher than outlet pressure, Internal Registration & 20% droop.
 3. Capacity based on inlet pressure of 10 PSIG / 0,69 bar, External Registration & 2" W.C. / 5 mbar droop.
 4. Capacity based on inlet pressure of 20 PSIG / 1,4 bar higher than outlet pressure, External Registration & 2" W.C. / 5 mbar droop.
 5. Capacity based on inlet pressure of 10 PSIG / 0,69 bar, External Registration & 20% droop.
 6. Capacity based on inlet pressure of 20 PSIG / 1,4 bar higher than outlet pressure, External Registration & 20% droop.
- NOTE: Additional spring ranges & body sizes are available. Ask your LP-Gas Equipment Distributor for more information.



299H



133

Low Pressure Commercial Fisher Regulators

Item Number	Part Number	Capacities in BTU per hour / SCMH Propane ⁽¹⁾	Orifice Size, Inches / mm	Inlet & Outlet Connections, Inches	Outlet Pressure Range	Outlet Pressure Setting	Maximum Operating Inlet Pressure, PSIG / bar
124951	CS200IR-6EC1	2,500,000 / 28	1/2" / 12.7	3/4" FNPT	10" - 14" W.C. / 25 - 35 mbar	11" W.C.	40 / 2,8
124967	CS200IR-6EC3	3,800,000 / 43		1 FNPT			
124959	CS200IR-6EC6	3,900,000 / 44		1 1/4" FNPT			
124913	CS400IR-8EC6	6,800,000 / 76	3/4" / 19.1	1 1/4" FNPT			20 / 1,4
124906	CS400IR-8EC7	7,600,000 / 85		1 1/2" FNPT			
124923	CS400IR-8EC8	7,600,000 / 85		2" FNPT			
123950	CS800IR-8CC7	10,460,000 / 118	1" / 25.4	1 1/2" FNPT	8" - 12" W.C. / 20 - 30 mbar	30 / 2,1	
123952	CS800IR-8CC8	21,809,000 / 245		2" FNPT			
124950	CS200IR-6HC1	3,760,000 / 42	1/2" / 12.7	3/4" FNPT	1 - 2 PSIG / 0,06 - 0,14 bar	2 PSIG / 0,14 bar	40 / 2,8
124966	CS200IR-6HC3	4,780,000 / 54		1 FNPT			
124958	CS200IR-6HC6	5,327,000 / 60		1 1/4" FNPT			
124919	CS400IR-8HC6	9,715,000 / 109	3/4" / 19.1	1 1/4" FNPT			20 / 1,4
124903	CS400IR-8HC7	10,500,000 / 118		1 1/2" FNPT			
124920	CS400IR-8HC8	9,715,400 / 99		2" FNPT			
123962	CS820IR-8FC7	15,011,000 / 169	1" / 25.4	1 1/2" FNPT	1 - 2.5 PSIG / 0,06 - 0,17 bar	30 / 2,1	
123964	CS820IR-8FC8	21,436,000 / 241		2" FNPT			
124910	CS400IR-8IC6	7,365,000 / 83	3/4" / 19.1	1 1/4" FNPT	2 - 5.5 PSIG / 0,14 - 0,38 bar	5 PSIG / 0,35 bar	20 / 1,4
124904	CS400IR-8IC7	6,895,000 / 77		1 1/2" FNPT			
124921	CS400IR-8IC8	7,365,000 / 83 ⁽²⁾		2" FNPT			
123970	CS820IR-8HC7	15,262,000 / 171	1" / 25.4	1 1/2" FNPT	2.5 - 5.5 PSIG / 0,17 - 0,38 bar	30 / 2,1	
123972	CS820IR-8HC8	16,532,000 / 186		2" FNPT			

1. Capacity based on 10 PSIG / 0,69 bar & 2" W.C. / 5 mbar droop.

2. Capacity based on 10 PSIG / 0,69 bar & 20% droop.

NOTE: Additional combinations of body styles, spring ranges, & orifice sizes are available. See guides on Page 14. Consult your LP-Gas Equipment Distributor for more information.



CS400



CS200



CS800

Type CS200 Selection Guide

Base		Sensing		Relief		Orifice		Regulator Setpoints		Body Option				
Code	Description	Code	Description	Code	Description	Code	Size Inch / mm	Code	Inches W.C. / mbar	Code	Description			
CS200	Basic	I	Internal	N	None	1	1/8" / 3,2	A	3.5 - 5 / 9 - 12	C1	3/4" FNPT, Cast Iron			
					Internal	2	3/16" / 4,8	B	4.5 - 6.5 / 11 - 16	C3	1" FNPT, Cast Iron			
									3	1/4" / 6,4	C	6 - 8 / 15 - 20	C6	1 1/4" FNPT, Cast Iron
									5	3/8" / 9,5	D	7.5 - 11 / 19 - 27		
									6	1/2" / 12,7	E	10 - 14 / 25 - 35		
											F	12 - 19 / 30 - 47		
											G	18 - 1 PSIG / 45 mbar - 0,06 bar		
											H	1 - 2 PSIG / 0,06 - 0,13 bar		

Type CS400 Selection Guide

Base		Sensing		Relief		Orifice		Regulator Setpoints		Body Option			
Code	Description	Code	Description	Code	Description	Code	Size Inch / mm	Code	Inches W.C. / mbar	Code	Description		
CS400	Basic	I	Internal	N	None	2	3/16" / 4,8	A	3.5 - 5 / 9 - 12	C6	1 1/4" FNPT, Cast Iron		
					External	R	Internal	3	1/4" / 6,4	B	4.5 - 6.5 / 11 - 16	C7	1 1/2" FNPT, Cast Iron
						T	Token	5	3/8" / 9,5	C	6 - 8 / 15 - 20	C8	2" FNPT, Cast Iron
								6	1/2" / 12,7	D	7.5 - 11 / 19 - 27	C9	2" / DN 50 CL 150 FF, Ductile Iron
								8	3/4" / 19,1	E	10 - 14 / 25 - 35		
										F	12 - 19 / 30 - 47		
										G	18 - 1 PSIG / 45 mbar - 0,06 bar		
										H	1 - 2 PSIG / 0,06 - 0,13 bar		
								I	2 - 5.5 PSIG / 0,14 - 0,38				

Type CS800 Selection Guide

Base		Sensing		Relief		Orifice		Regulator Setpoints		Body Option	
Code	Description	Code	Description	Code	Description	Code	Size Inch / mm	Code	Inches W.C. / mbar	Code	Description
CS800	Basic	I	Internal	N	None	2	1/4" / 6,4	A	3.5 - 6 / 9 - 15	C6	1 1/4" FNPT, Gray Iron
CS820	High Outlet	E	External	R	Internal	3	3/8" / 9,5	B	5.5 - 8.5 / 11 - 16	C7	1 1/2" FNPT, Gray Iron
					Token	4	1/2" / 12,7	C	8 - 12 / 15 - 20	C8	2" FNPT, Gray Iron
					High Capacity	6	3/4" / 19,1	D	10 - 16 / 25 - 40	C9	2" / DN 50 CL 125 FF, Gray Iron
						8	1" / 25,4	E	14 - 30 / 25 - 75	D11	2" / DN 50 CL 150 FF, Ductile Iron
						9	1 3/8" / 34,9	F	1 - 2.5 PSIG / 0,06 - 0,17 bar		
										G	1.5 - 3.5 / 0,10 - 0,24 bar
								H	2.5 - 5.5 / 0,17 - 0,38 bar		

Types CS205 & CS206

Types CS205 & CS206 Secondary Seat™ Protection	Setpoint	Type CS205	Type CS206
	Inches W.C. / mbar	Shutoff above Setpoint	Downstream Pressure Buildup
CS200 platform with a modified orifice that contains a second seating surface. Should damage occur to the primary seating surface, outlet pressure will continue to rise and prevent lockup.	7 / 17	5" W.C. / 12 mbar	25.1" W.C. / 62 mbar
	11 / 27	5.5" W.C. / 14 mbar	29.6" W.C. / 74 mbar
	14 / 35	5.8" W.C. / 14 mbar	1.26 PSIG / 0,08 bar
	1 PSIG / 0,07 bar	7.8" W.C. / 19 mbar	1.90 PSIG / 0,13 bar
	2 PSIG / 0,14 bar	13" W.C. / 32 mbar	3.42 PSIG / 0,24 bar

Special Order, Contact your salesman for assistance.

Type CS403

Type CS403 With Integral Tru-Monitor™ Protection	Primary Setpoint	Monitor Setpoint	Monitor Spring Range
	Inches W.C. / mbar	Inches W.C. / mbar	Spring Range
Combines operation of a conventional two-regulator wide-open monitor set into one body. During normal operation, the monitor is in a wide open state at a setpoint higher than the primary regulator.	7 / 17	14 / 35	11" - 16" W.C. / 27 - 40 mbar
	11 / 27	21 / 52	16" - 23" W.C. / 40 - 57 mbar
	14 / 35	21 / 52	16" - 23" W.C. / 40 - 57 mbar
	1 PSIG / 0,07 bar	1.5 PSIG / 0,10 bar	1 - 2 PSIG / 0,07 - 0,14 bar
	2 PSIG / 0,14 bar	2.5 PSIG / 0,17 bar	1.5 - 2.5 PSIG / 0,10 - 0,17 bar
	5 PSIG / 0,35 bar	6 PSIG / 0,41 bar	4 - 7.5 PSIG / 0,28 - 0,52 bar

Special Order, Contact your salesman for assistance.



Type CS403



Type CS404

Type CS404

Type CS404 With Integral Slam Shut	Primary Setpoint	Slam-Shut Setpoint	
		OPSO	UPSO-OPSO
	Inches W.C. / mbar	Inches W.C. / mbar	Inches W.C. / mbar
Integrates a fast acting shutoff device that provides overpressure shutoff (OPSO) or over/underpressure shutoff (UPSO/OPSO) protection by completely shutting off the flow of gas to the downstream system.	7 / 17	17 / 42	----
	11 / 27	19 / 47	6.3 / 16 - 25 / 62
	14 / 35	30 / 75	8.8 / 22 - 28 / 70
	1 PSIG / 0,07 bar	1.9 PSIG / 0,13 bar	16 / 40 - 1.9 PSIG / 0,13 bar
	2 PSIG / 0,14 bar	3.3 PSIG / 0,23 bar	1 PSIG / 0,07 bar - 3.2 PSIG / 0,22 bar
	5 PSIG / 0,35 bar	6.7 PSIG / 0,46 bar	- 7.5 PSIG / 0,28 - 0,52 bar

Special Order, Contact your salesman for assistance.

Type CS205 & CS206 Selection Guide

Base		Sensing		Relief		Orifice		Regulator Setpoints		Body Option	
Code	Description	Code	Description	Code	Description	Code	Size Inch / mm	Code	Inches W.C. / mbar	Code	Description
CS205	Basic	I	Internal	N	None	1	1/8" / 3,2	A	3.5 - 5 / 9 - 12	C1	3/4" FNPT, Cast Iron
CS206	Basic			R	Internal	2	3/16" / 4,8	B	4.5 - 6.5 / 11 - 16	C3	1" FNPT, Cast Iron
						3	1/4" / 6,4	C	6 - 8 / 15 - 20	C6	1 1/4" FNPT, Cast Iron
						4	5/16" / 7,9	D	7.5 - 11 / 19 - 27		
								E	10 - 14 / 25 - 35		
								F	12 - 19 / 30 - 47		
								G	18" W.C. - 1 PSIG / 45 mbar - 0,06 bar		
								H	1 - 2 PSIG / 0,06 - 0,13 bar		

Type CS403 Selection Guide

Base		Sensing		Relief		Orifice		Regulator Setpoints		Body Option	
Code	Description	Code	Description	Code	Description	Code	Size Inch / mm	Code	Primary - Monitor Inches W.C. / mbar	Code	Description
CS403	Basic	I	Internal	N	None	2	3/16" / 4,8	D	11 / 27 - 21 / 52	D2	1 1/4" FNPT, Ductile Iron
						3	1/4" / 6,4	H	2 PSIG / 0,14 bar - 2.5 PSIG / 0,17 bar	D3	1 1/2" FNPT, Ductile Iron
						5	3/8" / 9,5	L	5 PSIG / 0,35 bar - 6 PSIG / 0,41 bar	D4	2" FNPT, Ductile Iron
						6	1/2" / 12,7			D9	2" / DN 50 CL 125 FF, Ductile Iron
						8	3/4" / 19,1				

Type CS404 Selection Guide

Base		Sensing		Relief		Orifice		Regulator Setpoints		Body Option	
Code	Description	Code	Description	Code	Description	Code	Size Inch / mm	Code	Primary - Slam Shut Inches W.C. / mbar	Code	Description
CS800	Integrated Slam Shut	I	Internal	N	None	2	3/16" / 4,8	D	11 / 27 - 19 / 47	D2	1 1/4" FNPT, Ductile Iron
						3	1/4" / 6,4	K	2 PSIG / 0,14 bar - 3.3 PSIG / 0,23 bar	D3	1 1/2" FNPT, Ductile Iron
						5	3/8" / 9,5	N	5 PSIG / 0,35 bar - 6.7 PSIG / 0,46 bar	D4	2" FNPT, Ductile Iron
						6	1/2" / 12,7	V *	11" W.C. / 27 bar - 6.3" W.C. / 16 mbar - 25" W.C. / 62 mbar	D9	2" / DN 50 CL 125 FF, Ductile Iron
						8	3/4" / 19,1	AB *	2 / 0,14 - 1 / 0,06 - 3.2 / 0,52		
								AE *	5 / 0,35 - 2.9 / 0,2 - 7.5 / 0,52		
* set pressure for: Primary - Underpressure - Overpressure. Units are in PSIG / bar											

Pilot Operated High Pressure Commercial/Industrial Fisher Regulators

Item Number	Part Number	Capacities in BTU per hour / SCMH Propane ⁽¹⁾	Orifice Size, Inches / mm	Inlet & Outlet Connections, Inches	Outlet Pressure Range, PSIG / bar	Outlet Pressure Setting, PSIG / bar	Maximum Operating Inlet Pressure, PSIG / bar
Special Order	1098-L21	170,500,000 / 1915 ⁽¹⁾	2 3/8" / 60	2" FNPT	2 - 10 / 0,14 - 0,69	10 / 0,69	400 / 27,6
124500	1098-L22	215,300,000 / 2419 ⁽²⁾			3 - 40 / 0,21 - 2,7	20 / 1,4	
Special Order	1098-L23	322,300,000 / 3621 ⁽³⁾			35 - 75 / 2,4 - 5,2	50 / 3,4	
Special Order	1098-F21	170,500,000 / 1915 ⁽¹⁾		2" DN 50 CL300 FF	2 - 10 / 0,14 - 0,69	10 / 0,69	
Special Order	1098-F22	215,300,000 / 2419 ⁽²⁾			3 - 40 / 0,21 - 2,7	20 / 1,4	
Special Order	1098-F23	322,300,000 / 3621 ⁽³⁾			35 - 75 / 2,4 - 5,2	50 / 3,4	
Special Order	1098-F31	356,300,000 / 4003 ⁽¹⁾	3 3/8" / 86	3" DN 80 CL300 FF	2 - 10 / 0,14 - 0,69	10 / 0,69	
Special Order	1098-F32	447,400,000 / 5026 ⁽²⁾			3 - 40 / 0,21 - 2,7	20 / 1,4	
Special Order	1098-F33	669,500,000 / 7521 ⁽³⁾			35 - 75 / 2,4 - 5,2	50 / 3,4	
Special Order	1098-F41	551,300,000 / 6193 ⁽⁴⁾	4 3/8" / 111	4" DN 100 CL300 FF	2 - 10 / 0,14 - 0,69	10 / 0,69	
Special Order	1098-F42	693,500,000 / 7791 ⁽⁴⁾			3 - 40 / 0,21 - 2,7	20 / 1,4	
Special Order	1098-F43	1,035,500,000 / 11,633 ⁽³⁾			35 - 75 / 2,4 - 5,2	50 / 3,4	

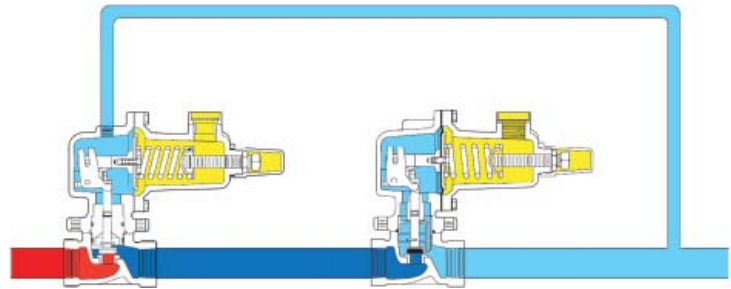
NOTE: Additional spring ranges & body styles are available. Ask your LP-Gas Equipment Distributor for more information.

1. Capacity based on 30 PSIG / 2,1 bar inlet pressure & 15 PSIG / 1,0 bar setpoint.
2. Capacity based on 40 PSIG / 2,8 bar inlet pressure & 15 PSIG / 1,4 bar setpoint.
3. Capacity based on 75 PSIG / 5,2 bar inlet pressure & 15 PSIG / 3,4 bar setpoint.
4. Capacity based on 25 PSIG / 1,7 bar inlet pressure greater than outlet pressure setting.

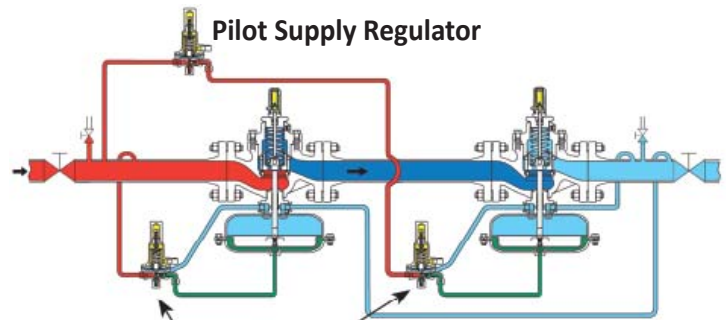
Examples of Monitor Systems



1098



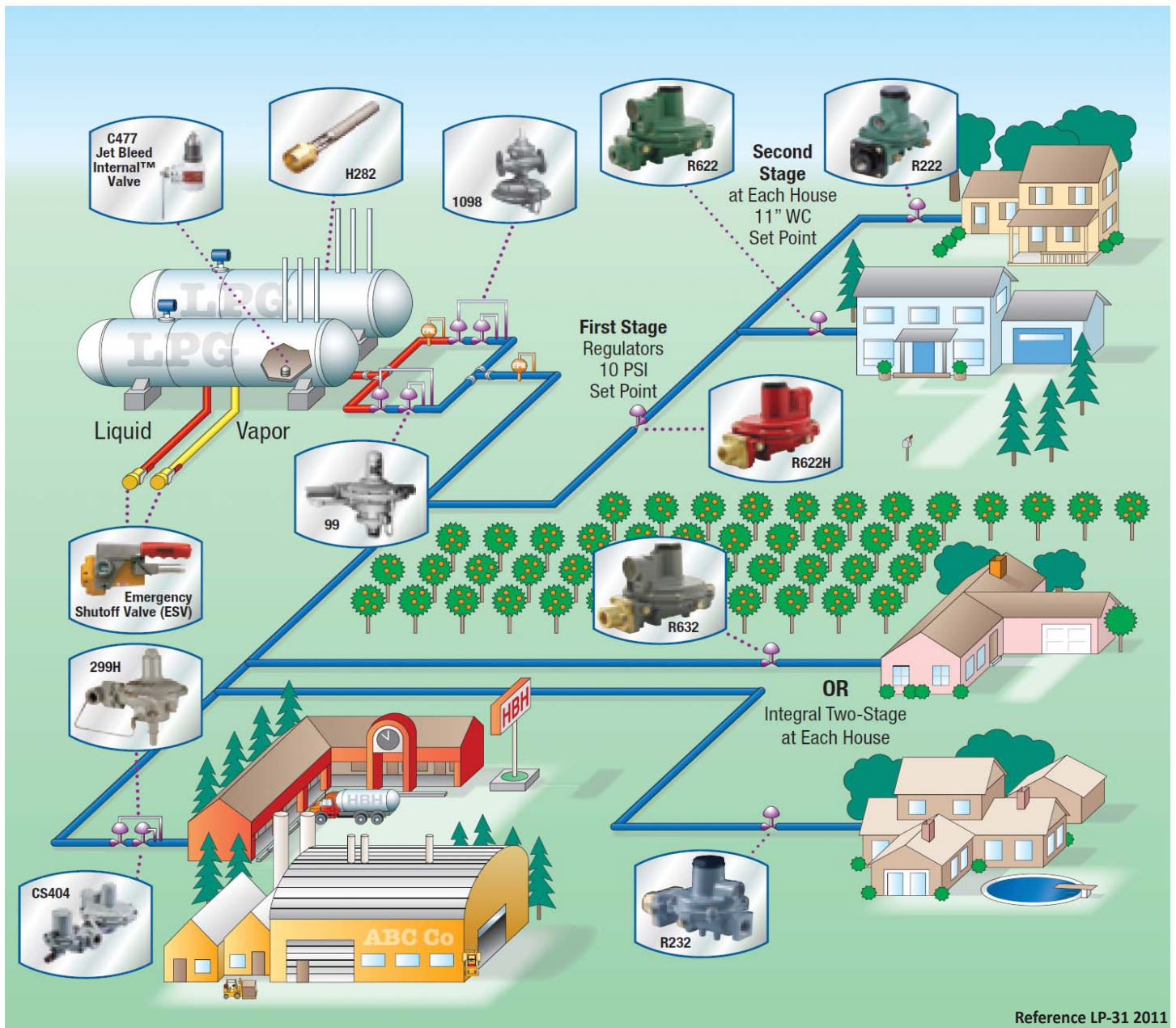
Type 627M (Direct-Operated) Monitor



6353 Series Pilot
Type 1098 (Pilot-Operated) Monitor

- Inlet Pressure
- Outlet Pressure
- Loading Pressure
- Atmospheric Pressure
- Intermediate Pressure

Reference LP-31 2011



Reference LP-31 2011

Typical Wide-Open Monitor System						
Operating Regulator	Orifice Size, Inches / mm	Body Size, Inches	Monitor Regulator	Orifice Size, Inches / mm	Body Size, Inches	Regulating Capacity, BTU Per Hour / SCMH ⁽¹⁾
Type 627-5810	3/8" / 9,53	3/4" NPT	Type 627M-421	1/2" / 12,7	3/4" NPT	5,750,000 / 64,6
Type 627-6210	1/2" / 12,7	3/4" NPT	Type 627M-421	1/2" / 12,7	3/4" NPT	7,050,000 / 79,2
Type 627-7710	1/2" / 12,7	1" NPT	Type 627M-421	1/2" / 12,7	1" NPT	7,050,000 / 79,2
Type 630-104/78	1/2" / 12,7	2" NPT	Type 627M-267	1/2" / 12,7	2" NPT	8,400,000 / 94,4
Type 630-104/78	1/2" / 12,7	2" NPT	Type 99M-504PH	1 1/8" / 28,6	2" NPT	13,500,000 / 152
Type 99-504PH	1 1/8" / 28,6	2" NPT	Type 99M-504PH	1 1/8" / 28,6	2" NPT	42,650,000 / 479
Type 99-504PH	1 1/8" / 28,6	2" NPT	Type 1098	2 3/8" / 60,3	2" NPT	54,500,000 / 612
Type 1098	2 3/8" / 60,3	2" NPT	Type 1098	2 3/8" / 60,3	2" NPT	136,900,000 / 1538
Type 1098	2 3/8" / 60,3	3" NPT	Type 1098	3 3/8" / 85,7	3" NPT	283,700,000 / 3187
Type 1098	2 3/8" / 60,3	4" NPT	Type 1098	4 3/8" / 111	4" NPT	437,800,000 / 4918

1. Capacities are based on 30 PSIG / 2,1 bar in & 8 PSIG / 0,55 bar out.

Liquid Service Relief Valves

Item Number	Part Number	Body Size, Inches	Relief Pressure Range, PSIG / bar	Relief Pressure Setting, PSIG / bar	Propane Relief Capacity GPM / l/min at Following Pressure Build-Up Over Relief Setting				
					5 PSIG / 0,34 bar	10 PSIG / 0,69 bar	20 PSIG / 1,4 bar	30 PSIG / 2,1 bar	50 PSIG / 3,4 bar
123667	98H-17	1/2" FNPT	25 - 75 / 1,7 - 5,2	50 / 3,4	10.5 / 39,7	15.4 / 58,3	21.7 / 82,1	25.9 / 98,0	30.8 / 117
123668	98H-14				8.4 / 31,8		27.3 / 103	32.9 / 125	39.2 / 148
123672	98H-22	3/4" FNPT	70 - 140 / 4,8 - 9,7	100 / 6,9	30.8 / 117	49.0 / 185	67.9 / 257	79.8 / 302	93.1 / 352
123675	98H-30	1" FNPT							



98H-30



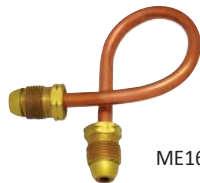
1805-52P



289H-2

Diaphragm Relief Valves

Item Number	Part Number	Body Size, Inches	Relief Pressure Setting, PSIG / bar	Relief Pressure Adjustment, PSIG / bar	Propane Relief Capacity at Following Pressure Build-UP Over Relief Setting	
					Build-Up Over Set Pressure, PSIG / bar	Capacity SCFH / Scmh
124240	1805-19P	1" FNPT	30 / 2,1	10 - 60 / 0,69 - 4,1	15 / 1,0	2,840 / 80,4
124241	1805-52P			10 - 50 / 0,69 - 3,4		12,000 / 340
123707	289H-2	2" FNPT	1.0 / 0,007	14" W.C. - 2.25 / 35 mbar - 0,16	1 / 69 mbar	11,000 / 311
123700	289H-43	1" FNPT	15 / 1,0	10 - 20 / 0,69 - 1,4	5 / 3,4	20,000 / 566
123702	289H-42		10 / 0,69	4 - 15 / 0,28 - 1,0		17,600 / 498



ME1680-12B270R



ME1689-6B90

Bent Copper Pigtails

Pigtail Connections		Length	Degrees of Bend	Tubing Size	Item Number	Part Number
Economy Male POL 7/8" Hex	Economy Male POL 7/8" Hex	12"	90°	3/8"	Special Order	ME1680-12B90
		12"	270° Right	3/8"	403239	ME1680-12B270R
		12"	360°	3/8"	Special Order	ME1680-12B360
	1/4" MNPT	5"	90°	3/8"	Special Order	ME1689-5B90
		6"	90°	1/4"	121401	ME1669-6B90

Copper Pigtails



Copper Pigtails						
Pigtail Connections		Length	1/4" Tubing Size		3/8" Tubing Size	
			Item Number	Part Number	Item Number	Part Number
Economy Male POL 7/8" Hex	Economy Male POL 7/8" Hex	5"	-----	-----	403485	ME1680-05
		6"	121403	ME1664-06	121450	ME1680-06
		12"	121425	ME1664-12	121445	ME1680-12
		20"	121415	ME1664-20	121435	ME1680-20
		30"	121420	ME1664-30	121440	ME1680-30
		36"	121430	ME1664-36	121446	ME1680-36
		48"	-----	-----	121448	ME1680-48
	1/4" Inverted Flare	15"	121451	ME1665-15	-----	-----
		20"	121455	ME1665-20	-----	-----
		30"	121456	ME1665-30	-----	-----
		36"	121460	ME1665-36	-----	-----
	1/4" MNPT	5"	-----	-----	121447	ME1689-05
		6"	121400	ME1669-06	-----	-----
		12"	121396	ME1669-12	121380	ME1689-12
		18"	121393	ME1669-18	-----	-----
		20"	121395	ME1669-20	-----	-----
		30"	-----	-----	121381	ME1689-30
		36"	121391	ME1669-36	121382	ME1689-36
	48"	121432	ME1669-48	121383	ME1689-48	
	1/2" MNPT	8"	-----	-----	121410	ME1684-08
Standard Male POL 7/8" Hex	Standard Male POL 7/8" Hex	20"	121320	ME1662-20	121340	ME1680L-20
		30"	121325	ME1662-30	121343	ME1680L-30
		36"	121330	ME1662-36	-----	-----
		48"	121335	ME1662-48	-----	-----
	1/4" Inverted Flare	20"	121355	ME1663-20	-----	-----
		30"	121360	ME1663-30	-----	-----
		36"	121365	ME1663-36	-----	-----
	1/4" MNPT	20"	121375	ME1679-20	-----	-----
		30"	121378	ME1679-30	-----	-----
		36"	121376	ME1679-36	-----	-----
		40"	121377	ME1679-40	-----	-----
	1/2" MNPT	12"	-----	-----	121390	ME1684L-12
	Heavy Duty Male POL 1 1/8" Hex	Heavy Duty Male POL 1 1/8" Hex	20"	121300	ME1660-20	-----
30"			121305	ME1660-30	-----	-----
36"			121310	ME1660-36	-----	-----
48"			121315	ME1660-48	-----	-----
1/4" Inverted Flare		20"	121345	ME1661-20	-----	-----
		30"	121350	ME1661-30	-----	-----



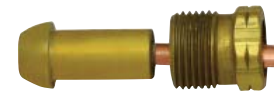
3/8" Tubing



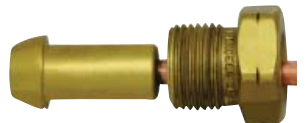
1/4" Tubing



Economy POL



Standard POL



Heavy Duty POL



1/4" Inverted Flare



1/4" MNPT



1/2" MNPT



3/8" Tubing POL X POL



3/8" Tubing POL X 1/2" MNPT

Fisher Appliance Regulators

Item Number	Part Number	Pressure Range, Inches W.C. / mbar	Outlet Pressure, Inches w.c. / mbar	Capacities In BTU Per Hour Propane			Inlet Connection, Inches / mm	Outlet Connection, Inches / mm	Orifice Size, Inches / mm	Case Quantity
				10 PSIG, Inlet	25 PSIG, Inlet	100 PSIG, Inlet				
123905	912-104	9.25 - 13 / 23 - 32	11 / 27	101,000	270,000	349,000	1/4" / 6,4	1/4" / 6,4	0.073" / 1,85	24 Pcs.
123900	912-101			110,000	201,000	494,000		3/8" / 9,5		
123920	912-122 ⁽¹⁾			12 Pcs.						

1. 912-101 w/ M318 Installed.



912-101

Fisher Vent Protector

Item Number	Part Number	Part Description
122928	P331	Vent Protector for 912's



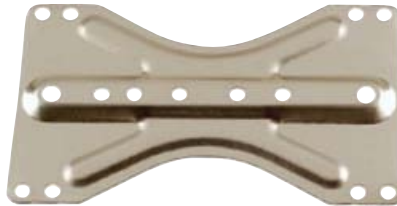
P331

Fisher Mounting Brackets

Item Number	Part Number	Style	Fits These Fisher Regulators
122601	P100A	Triangular	R622, R632, R642, R622H, R122H, R222, R232, & 912
122603	P100C	Bowtie	R622, R632, R642, & R622H
122610	P102A	Strap	912



P100A



P100C



P102A

Regulator Plug, Adaptor, & Filter Assembly

Item Number	Part Number	Part Description
405006	ME2132	1/4" Female Inverted Flare X 1/4" MNPT
405090	ME2131	1/4" Inverted Flare Plug
122976	P501	1/4" NPT Inlet Filter for Fisher 67C Series Regulators
405049	ME24C	1/4" MNPT X 9/16"-18 LH Male Outlet Bushing
405053	ME24E	3/8" MNPT X 9/16"-18 LH Male Outlet Bushing



ME2132



ME2131



ME24C

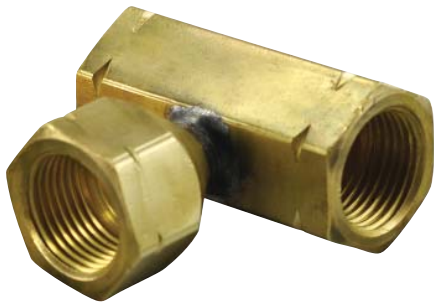


P501

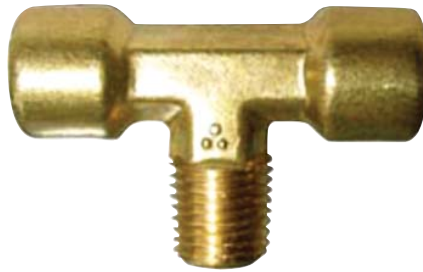
Tee Blocks & Checks



Tee Blocks				
Item Number	Part Number	Style of Manifold	Pigtail or Piping Connection	Regulator Connection
122930	ME1701B	Tee Block	Female POL	Male POL
122935	ME1704B			Female POL
405092	ME1700B		1/4" Inverted Flare	1/4" MNPT
405094	ME-T9-444		1/4" FNPT	



ME1704B



ME-T9-444



ME1702B

Tee Checks				
Item Number	Part Number	Style of Manifold	Pigtail or Piping Connection	Regulator Connection
122940	ME1702A	Tee Check	Female POL	Male POL
122945	ME1705A			Female POL
122950	ME1700A		1/4" Inverted Flare	1/4" MNPT
122970	MEP456A *			
330740	PV3866	Dual Tee Check	3/8" Male Flare	3/8" Male Flare

* Manual Change Over



ME1705A



ME1700A



PV3866



MEP456A



ME1702A

Fisher Vent Assemblies					
Item Number	Part Number	Style	Size	Stabilizer	Case Quantity
123335	Y602-1	Umbrella	1/4" MNPT	No	300
123340	Y602-2			Yes	100
123355	Y602-5	Angle	3/8" FNPT	No	50
123365	Y602-7		1/2" FNPT	No	50
123370	Y602-8			Yes	50
123375	Y602-9		3/4" FNPT	No	50
123380	Y602-13		1/4" FNPT	No	50
123385	Y602-14			Yes	50
123387	Y602-23		3/4" MNPT	No	50
123386	Y602-25		1" MNPT	No	50



Y602-4



Y602-7

Flex Vent Regulator Vent Kit		
Item Number	Part Number	Style
150650	ME960-48	MEC Flex Vent Kit - Fixed Ends - 3/4" FNPT X 4 Ft.
150651	ME960-72	MEC Flex Vent Kit - Fixed Ends - 3/4" FNPT X 6 Ft.
150652	ME960-120	MEC Flex Vent Kit - Fixed Ends - Universal Outlet X 10 Ft.



ME960-120

Pressure Gauges & Gauge Snubber



Pressure Gauges							
1/4" MNPT Mounting Stem	Squibb Taylor		Fisher		Range PSIG	Dial Size	Fill Type
	Item Number	Part Number	Item Number	Part Number			
Bottom	121201	ST-J500	121190	J500	0 - 15	2"	Dry
	121202	ST-J501	121195	J501	0 - 30		
	121203	ST-J502	121200	J502	0 - 60		
	121204	ST-J503	-----	-----	0 - 100		
	121206	ST-J504	121210	J504	0 - 160		
	121207	ST-J505	-----	-----	0 - 200		
	121208	ST-J506	121220	J506	0 - 300		
Back	121211	ST-J510	121196	J510	0 - 15		
	121212	ST-J511	121197	J511	0 - 30		
	121213	ST-J512	121198	J512	0 - 60		
	121214	ST-J513	121199	J513	0 - 100		
	121216	ST-J514	121193	J514	0 - 160		
	121218	ST-J516	121222	J516	0 - 300		
	290651	9767240			0 - 300	2 1/2"	Glycerin
Bottom	290652	9767096			0 - 300		
Back	290653	ST-J524	-----	-----	0 - 15		
Bottom	290654	MEJ603HP-01			0 - 300		
	290655	MEJ603LP-01			0 - 15		



ST-J500



ST-J510



ST-J524

Gauge Snubber				
Item Number	Part Number	Type	Inlet	Outlet
141031	ST-1449	Stainless Steel w/ 54 Drill	1/4" MNPT	1/4" FNPT



ME202SS

Single-Piece POL Adaptors

Item Number	Part Number	POL Connection	Other Connection
121825	ME284	Female Pol	1/4" MNPT
121830	ME285		3/8" MNPT
121835	ME286		1/2" MNPT
121840	ME287		3/4" MNPT
121845	ME301		1/4" FNPT
121846	ME302		3/8" FNPT
121850	ME303		1/2" FNPT
121849	ME304		3/4" FNPT
121851	ME305		Female POL
121892	ME351		Male POL
121895	ME353	3/8" M Flare	
121897	ME353EX18 *	1/2" M Flare	
121900	ME355	5/8" M Flare	
121901	ME356	1/4" FNPT	
121892	ME351	3/8" FNPT	
121894	ME352	1/2" FNPT	
121905	ME357	1/2" FNPT	

* 1.8 GPM Excess Flow.



ME284



ME353



ME357

POL Plugs & Cap

Item Number	Part Number	Part Description	Material
405080	ME1691	POL Plug	Brass
121945	ME1691-1	POL Plug with Chain	
403514	95WC-POLU	POL Plug & Strap	Plastic
121950	ME1699	POL Cap	Brass



ME1691-1



ME1699



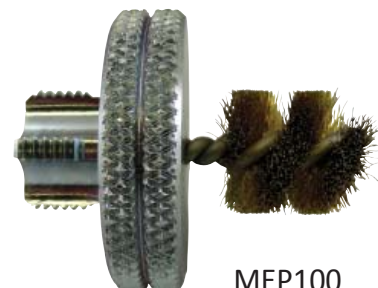
ME1691



95WC-POLU

POL Tool

Item Number	Part Number	Part Description
150635	MEP100	POL Thread Clean Out Tool



MEP100

POL Adaptors



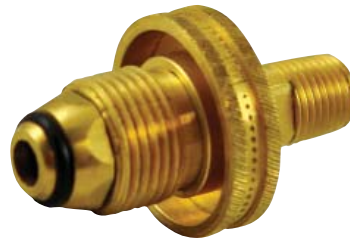
POL Adaptors					
Item Number	Part Number	Handwheel	Soft Nose	Excess Flow / Orifice	Outlet Connection
121856	ME318	----	----	----	1/4" MNPT
405063	ME1629	----	Yes	----	
405075`	ME1654	Plastic	Yes	----	
405072	ME1654AR	Brass	Yes	----	
121859	ME1690-EX18	----	----	1.8 GPM	
405079	ME1690	----	----	.9 GPM	
405074	ME1653	Plastic	Yes		
405073	ME1653AR	Brass	Yes		
405081	ME1638	----	Yes	#60 Orifice	
121880	ME345	----	----	----	
121910	ME5930	----	----	----	1/4" Hose Barb
405076	ME1656	Plastic	Yes	----	
405083	ME1656AR	Brass	Yes	----	
405071	ME1655-78N	----	Yes	.9 GPM	
405082	ME1650	----	----	----	9/16"-18 Female Left Hand
405084	568-110-01	Soft Nose POL Replacement O-Ring			



ME318



ME1654



ME1654AR



ME1690



ME1650



ME1638



ME345



568-110-01

Low Pressure Test Blocks

Item Number	Part Number	Inlet	PSIG
403212	MEJ610/15	3/4" FNPT	0 - 15
403214	MEJ610/30		0 - 30
403216	MEJ610/60		0 - 60
403218	MEJ610/100		0 - 100



MEJ610/15

Low Pressure Test Adaptors

Item Number	Part Number	Female Flare	Male Flare	Hose Barb
403242	ME1328	3/8"	3/8"	1/2"
403243	ME1331	1/2"	1/2"	
403244	ME1332	5/8"	5/8"	



ME1331

Low Pressure Test Gauge Assemblies

Item Number	Part Number	Part Description	Inlet Connection	Range, Inches W.C. / mbar
123400	50-2 Fisher	Test Gauge	1/4" MNPT	0 - 35 / 0 - 87
123407	ST 50-2			
123405	50P-2 Fisher	Test Gauge with Case & Hose	Female Hose	
123406	ST 50P-2			
123410	50P-5 Fisher	Test Gauge with Hose		



50-2



50P-2



50P-5

Schrader Valve

Item Number	Part Number	Connection	Connection	Notes
150810	MEJ608B-2	1/8" MNPT	5/16"-32 Male	With Everseal
150811	ME10BTK-1-01	1/8" FNPT	5/16"-32 Female	90° Fitting



MEJ608B-2



ME10BTK-1-01

Dwyer Manometers		
Item Number	Part Number	Part Description
403329	1212	Slack Tube Manometer with Case
121260	2030	Magnehelic Pressure Gauge, 4" Dial, 0 - 30 " W.C.
121261	A-432	Case for 2030 Gauge



1212



2030



A-432

High Pressure Test Blocks					
Item Number	Part Number	Inlet Connection	Outlet Connection	PSIG	Factory Installed Vent Valve
121235	MEJ600	Male POL	Female POL	0 - 300	No
150499	MEJ601				Yes



MEJ600



MEJ601

High Pressure Test Kit		
Item Number	Part Number	Part Description
400325	SKVB	Test Kit Includes Tool Box, 12 1/8" Valves, 6 1/4" Valves, a High Pressure Test Block & User Instructions for Use with Type B Valves.
121230	MEJ595	1/2" MNPT X 1/2" FNPT Adaptor
400330	VB1	1/8" NPT Type B Valve (Bag of 50 Pcs.)



MEJ595



VB1



SKVB

R.V. Low Pressure Two Stage Automatic Changeover Regulators

Item Number	Part Number	Inlet Connection	Outlet Connection	Capacity BTU/H	Outlet Pressure
405010	GR-9984	1/4" Inverted Flare	3/8" FNPT	380,000 *	11" W.C.
405015	255-00			210,000	

* Based on 25 PSIG inlet pressure & 9" W.C. outlet pressure @ Manufacturer's set point.
 Manufacturer's set point = 100 PSIG and 11" W.C. outlet @ 40 SCFH propane.



GR-9984

R.V. Low Pressure Two Stage Regulators

Item Number	Part Number	Inlet Connection	Outlet Connection	Capacity BTU/H *	Outlet Pressure	Vent Orientation
405034	GR-9950	1/4" FNPT	3/8" FNPT	195,000	11" W.C.	Above Outlet
405037	GR-9959					90° Side

* Based on 25 PSIG inlet pressure & 9" W.C. outlet pressure @ Manufacturer's set point.
 Manufacturer's set point = 100 PSIG and 11" W.C. outlet @ 40 SCFH propane.



GR-9950



GR-9959

Compact High Pressure Regulators				
Item Number	Part Number	Inlet Connection	Outlet Connection	Outlet Pressure
404999	MEGR-130-05	1/4" FNPT	1/4" FNPT	Fixed 5 PSIG
352084	MEGR-130-10			Fixed 10 PSIG
Special Order	MEGR-130-20			Fixed 20 PSIG
Special Order	MEGR-130-30			Fixed 30 PSIG
Special Order	MEGR-350			0 - 10 PSIG
405028	MEGR-350-20			0 - 20 PSIG
152101	MEGR-350-30			0 - 30 PSIG
405029	MEGR-351			Male POL
405014	MEGR-360	Female QCC Black		



MEGR-130-5



MEGR-350-20

Low Pressure Single Stage Regulators						
Item Number	Part Number	Inlet Connection	Outlet Connection	Capacity BTU/H	Outlet Pressure	Vent Orientation
405005	MEGR-218	Male POL w/ Plastic Handwheel	3/8" FNPT	140,000	11" W.C.	90° Side
405017	MEGR-230	1/4" FNPT				Above Outlet
405019	MEGR-230-9	Male POL w/ .9 GPM Excess flow				90° Side
405021	MEGR-230-90	1/4" FNPT				Above Outlet
405025	MEGR-230-1618	Female QCC				90° Side
Special Order	MEGR-230-1326					Above Outlet
405016	MEGR-231	Male POL				90° Side



405017



405017

Section B Index			
• Bot-L-Wrench	35	• Motor Fuel Filler Valves	43
• Caps & Collars	36	• Motor Fuel Liquid Service Valves	42
• Cylinder Filling Valve	35	• Motor Fuel Relief Valves	41
• Cylinder Racks	34	• Motor Fuel Service Valve Accessories	42
• Cylinders	33-34	• Multi-Purpose Valve Accessories	52
• Fairbanks Portable Beam Scale	35	• Multi-Purpose Valves	52
• Fill Valve Adaptor	46	• Multi-Service Valve Tool	52
• Filler Valve Parts & Accessory	47	• Multi-Service Valves	52
• Filler Valves	47	• N201	35
• Fisher External Relief Valve Accessories	51	• OPD Valves	32
• Fisher External Relief Valves	51	• QCC Valve Caps	36
• Forklift Adaptors	39	• Quick Acting Valve Repair Kits	41
• Forklift Connectors	39	• Quick Acting Valves	41
• Forklift Cylinder Brackets	36	• Remote Liquid Level Valves	40
• Forklift Liquid Level Valves	40	• Scale	35
• Forklift Parts	39	• Sherwood Liquid Withdrawal Valve	49
• Forklift Relief Valve Parts	37	• Sherwood Multi-Purpose Valve Parts	49
• Forklift Relief Valves	37	• Sherwood Multi-Purpose Valves	49
• Forklift Service Valve Parts	38	• Tank Foot	36
• Forklift Service Valves	38	• Tank Gauge	36
• Hydrostatic Valves	51	• Valve Wrenches	35
• Internal Relief Valve Accessories	48	• Vapor Return Valve	40
• Internal Relief Valves	48	• Vapor Service Connectors	39
• Liquid Transfer Valves	46	• Vapor Service Valves	44
• Liquid Withdrawal Adaptors	45	• Vapor Service Valves Parts	44
• Liquid Withdrawal Parts	46	• Vapor Valve	50
• Liquid Withdrawal Valves	45	• Vapor Valve Repair Kits	50
• Methanol Injector	44	• Vapor Withdrawal Valve Parts	45
• Motor Fuel Filler Valve Accessories	43	• Vapor Withdrawal Valves	45

OPD Valves					
Item Number	Part Number	Size (Lbs.)	Cylinder Style	Dip Tube Length	Case Quantity
330706	V21113	5# & 11#	Steel	3.0"	10 Pcs.
330690	V21130	10#		3.6"	10 Pcs.
150360	20# Gauge Ready *	20#		4.0"	18 Pcs.
150340	80.8180			4.0"	28 Pcs.
150361	30# Gauge Ready *	30#		4.7"	18 Pcs.
150345	82.8012			4.7"	24 Pcs.
150350	80.8013	40#		6.4"	24 Pcs.
150325	S374313	20#	Steel Type II	4.0"	10 Pcs.
150330	S359001	30#		4.8"	10 Pcs.
150335	S359002	40#		6.5"	10 Pcs.
150299	V21012	20#	Buffer	----	15 Pcs.

* 150362 - Snap-On Dial for 20# & 30# Gauge Ready Valves.



V21113



V21130



80.8180



82.8012



80.8013



V21012



20# Gauge Ready



30# Gauge Ready



Snap-On Dial



S359001



S359002



S374313

Manchester LP-Gas Portable Cylinders

Item Number	Part Number	Description	Material	Propane Capacities		Tare Weight	Skid Quantity
				Lb.	Gal.		
260028	130003 *	1# Refillable Cylinder	Steel	1	-----	-----	-----
260020	10054 **	5# DOT Portable Cylinder		5	1.2	10 Lb.	
260021	10228.4 **	10# DOT Portable Cylinder		10	2.4	15 Lb.	
260022	10393.1 **	11# DOT Portable Cylinder		11	2.6	14 Lb.	
260026	10504 **	20# Vertical Gas Grill		20	4.6	18 Lb.	12 / 24
260032	10487TC **	20# Horizontal Gas Grill		30	6.8	25 Lb.	
260035	1160TC.5 **	30# R.V. Cylinder		40	9.2	32 Lb.	
260041	1220.13 **	40# R.V. Cylinder		50	11.4	42 Lb.	9
260042	14990TC	50# DOT Portable Cylinder		60	13.7	46 Lb.	12
260039	1426TC	60# DOT Portable Cylinder		100	22.9	70 Lb.	9 / 18
260031	1428	100# DOT Portable Cylinder		420	95.9	278 Lb.	-----
260044	1499TC.11HL	420# DOT Portable Cylinder		100	22.9	85 Lb.	-----
260030	68143HL	100# ASME Portable Cylinder		420	95.9	291 Lb.	-----
260043	6762.11HL	420# ASME Portable Cylinder					

*With 1"-20 Female Connection. ** With OPD Valves.



1# Refillable



5# Vertical



10# Vertical



11# Vertical



20# Vertical



30# Vertical



40# Vertical



50# Vertical



60# Vertical



100# Mini ASME



100# Vertical



420# ASME

Manchester LP-Gas Forklift & Buffer Cylinders							
Item Number	Part Number	Description	Material	Propane Capacities		Tare Weight Lb.	Skid Quantity
				Lb.	Gal.		
260012	9285	20 # Buffer w/ Quick Coupler Less Fill	Aluminum	20	4.6	17	48
260013	5455		Steel	20	4.6	27	48
260014	5456	20# Buffer w/Fill & Gauge	Steel	20	4.6	27	48
720027	9315	33# Forklift w/ Fill & Gauge	Aluminum	33.5	7.4	24	36
720025	5580TC		Steel	33.5	7.7	36	36
720029	9161	43# Forklift w/ Fill & Gauge	Aluminum	43.5	9.9	25	24
720030	5595TC		Steel	43.5	9.9	44	24



20# Steel

33# Steel

33# Aluminum

43# Steel

43# Aluminum

Cylinder Racks		
Item Number	Number of Slots	Part Description
260000	4	These Racks are Welded & Painted for 33# Forklift Cylinders.
260001	6	
260002	9	
260003	12	
260004	16	

Racks for 43# Cylinders are Available.





N201

Cylinder Filling Valve		
Item Number	Part Number	Part Description
122380	N201	Fills DOT Cylinders by Weight & is Designed for Beam Scales.
122381	N201-CFHA	Replacement Hose Assembly.

Fairbanks Portable Beam Scale				
Item Number	Part Number	Capacity	Beam Graduation	Counterpoise Weights
271100	1124	1000 Lb	100 Lb X 8 Oz	900 Lb
271101	1124-1	500 kg	50 kg X 200 g	450 kg



1124

Valve Wrenches		
Item Number	Part Number	Part Description
404210	20-1	BOT-L-Wrench Plug
404212	20-2	BOT-L-Wrench Wrench
404214	20-3	BOT-L-Wrench Handle
404216	20-4	BOT-L-Wrench Chain Vise
404218	20-5	BOT-L-Wrench Plumbers Pot
404220	20-7	BOT-L-Wrench Lift Truck
403221	20-8	BOT-L-Wrench OPD
150637	MEP121	For POL Valves (2 Pcs.)
150639	MEP122	For QCC Valves (2 Pcs.)
150605	MEP125	Fits 1/2" Drive Tools



MEP122



MEP125



20-1



20-7



20-2



20-3

Tank Foot		
Item Number	Part Number	Part Description
260051	F273169	Tank Foot Fits 20#, 30#, & 40# Cylinders



F273169

QCC Valve Caps		
Item Number	Part Number	Part Description
405091	QCC-1	Black Dust Cap w/Strap
150267	ME392P-1	Brass Cap w/Ring & Chain



QCC-1

Forklift Cylinder Brackets		
Item Number	Part Number	Part Description
751500	TB-2	Horizontal for 33 1/2 & 43 1/2
751552	TB-67	Horizontal (Low Profile) for 33 1/2 & 43 1/2
751501	TB2-60	Toggle Latch For TB2



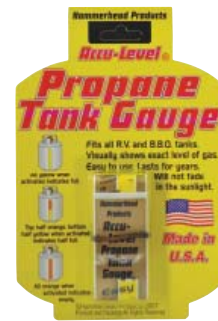
TB-67

TB-2



TB2-60

Tank Gauge		
Item Number	Part Number	Part Description
260038	29000	Accu-Level Tank Gauge Case Quantity 48 pcs.



29000

Caps & Collars			
Item Number	Part Number	Part Description	Size
260015	#1433	100#	3 1/2"
260016	ANC-A11	Cylinder Cap	3 1/8"
260050	ME350MV	100#	3 1/2"
260052	ME312-5MV	Cylinder Collar	3 1/8"



ME350MV



#1433

Forklift Relief Valves					
Item Number	Part Number	Tank Connection	Relief Setting	Manufacturer	Case Quantity
150205	66.0248	3/4" MNPT	375 PSIG	Cavagna	75 Pcs.
330090	PVE435B			Sherwood	50 Pcs.
330100	PV435L				50 Pcs.
150850	MEV75FIR			MEC	50 Pcs.



66.0248



PVE435A



MEV75FIR

Raincaps & Pipeaways For Forklift Relief Valves				
Item Number	Part Number	Part Description	Manufacturer	Case Quantity
150206	10-5038	Cap & Strap	Cavagna	1 Pc.
331680	435-45C		Sherwood	100 Pcs.
150851	MEP175C		MEC	500 Pcs.
150207	F31638		Manchester	
331675	435-45	45° Pipeaway	Sherwood	100 Pcs.
150852	MEP175-45		MEC	200 Pcs.
331685	435-90	90° Pipeaway	Sherwood	100 Pcs.
150853	MEP175-90		MEC	200 Pcs.



10-5038



F31638



435-90



435-45

Forklift Service Valves						
Item Number	Part Number	Tank Connection	Outlet	Flow Rate	Manufacturer	Case Quantity
150140	80-2064	3/4" MNPT	3/8" MNPT	2.6 GPM	Cavagna	35 Pcs.
330235	PVE1427B			1.7 GPM	Sherwood	25 Pcs.
330240	PVE1427C *			1.5 GPM		MEC
150917	ME9101P5			2.6 GPM	60 Pcs.	
150915	ME9101P5H			60 Pcs.		

* Has a smaller body & bonnet.



80-2064



PVE1427B



PVE1427C



ME9101P5

Forklift Service Valve Parts				
Item Number	Part Number	Type	Fits	Case Quantity
331605	3250-8LH-KIT	Repair Kit	PVE1427B	100 Pcs.
331615	3329-13LH-KIT		PVE1427C	100 Pcs.
150923	ME9101P5BRK *		ME9101P5 & ME9101P5H	50 Pcs.
331550	1901S	Handwheel Only	PVE1427B	100 Pcs.
331620	3329-7		PVE1427C	500 Pcs.
150924	ME9101P5-105		ME9101P5 & ME9101P5H	200 Pcs.
331665	3740-13	Screw for Handwheel	PVE1427B & PVE1427C	100 Pcs.

* Includes Handwheel.



1901S



3329-7



3250-8LH-KIT



3229-13LH-KIT

Forklift Connectors					
Item Number	Part Number	Inlet	Outlet	Manufacturer	Case Quantity
150255	66.1024	3/8" FNPT	1 1/4" Male Acme	Cavagna	50 Pcs.
330250	PA1428M			Sherwood	50 Pcs.
121780	ME220M			MEC	50 Pcs.
150250	66.1023	1 1/4" Female Acme	1/4" FNPT	Cavagna	70 Pcs.
330245	PA1428F			Sherwood	50 Pcs.
121775	ME220F		MEC	50 Pcs.	
150595	ME790			20 Pcs.	



66.1024



PA1428M



ME220M



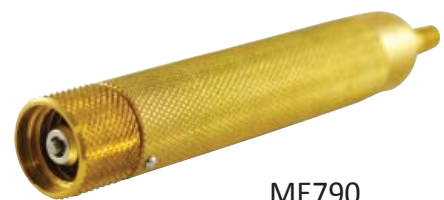
66.1023



PA1428F



ME220F



ME790

Forklift Parts		
Item Number	Part Number	Part Description
150541	ME220FP	1 1/4" Brass Cap
403005	ST-MSW4	1 1/4" Forklift Gasket
403008	114	Forklift O-Ring



ME220FP

Vapor Service Connectors			
Item Number	Part Number	Inlet	Outlet
150632	ME220FL	1 1/4" Female Left Hand Acme	1/4" FNPT
150630	ME220ML	3/8" FNPT	1 1/4" Male Left Hand Acme
150598	ME790L	1 1/4" Female Left Hand Acme	1/4" MNPT



ME220ML



ME220FL



ME790L

Liquid Level & Vapor Return Valves



Forklift Liquid Level Valves					
Item Number	Part Number	Stop Fill Dial	12" Diptube	#54 Drill	Manufacturer
150420	66.1072	Yes	Yes	Yes	Cavagna
330000	PVE12A	No	No	Yes	Sherwood
330040	PVE12BD-12.0	Yes	Yes	Yes	
121143	MEJ400	No	No	Yes	MEC
121147	MEJ602H	90° Elbow with Hydrostatic Relief			
121144	MEJ401	Replacement Stem & Seal For MEJ400 & MEJ602H.			



66.1072



PV12A



PVE12BD-12.0



MEJ400



MEJ602H



MEJ401

Remote Liquid Level Valves					
Item Number	Part Number	Inlet	Outlet	#54 Drill	Manufacturer
330065	PVE10DRF	1/4" MNPT	1/4" M. SAE	No	Sherwood
330005	PV10ARF			Yes	
121149	MEJ606			No	MEC
121144	MEJ401	Replacement Stem & Seal For MEJ606.			



PVE10DRF



MEJ606



MEJ401

Vapor Return Valve				
Item Number	Part Number	Tank Connection	Outlet Connection	Manufacturer
330320	PVE1876	3/4" MNPT	1 1/4" Male Acme	Sherwood



PVE1876

Quick Acting Valves					
Item Number	Part Number	Inlet	Outlet	Locking Handle	Manufacturer
330110	LV440	1/4" FNPT	1/4" FNPT	No	Sherwood
330145	LV440L			Yes	
330125	LV440B	1/2" FNPT	1/4" FNPT	No	
330130	LV440BL			Yes	
330131	ME792C			Yes	MEC
330135	LV440C	1/2" FNPT	1/2" FNPT	No	Sherwood
330140	LV440CL			Yes	
330141	ME792D			Yes	MEC



LV440C



LV440CL



ME792C



440-50L-KIT

Quick Acting Valve Repair Kits				
Item Number	Part Number	Type	Fits	Manufacturer
331695	440-50-KIT	Bonnet & Stem Assy.	LV440, LV440B, & LV440C	Sherwood
331700	440-50L-KIT	Bonnet & Stem Assy. w/Lock	LV440L, LV440BL, & LV440CL	
330147	ME792K	Bonnet & Stem Assy. w/Lock	ME792C & ME792D	MEC

Motor Fuel Relief Valves				
Item Number	Part Number	Tank Connection	Setting	Manufacturer
150210	66.1135	1" MNPT	250 PSIG	Cavagna
330165	UVE445AM			
330164	445-21	Pipe Away for UVE445AM		Sherwood
330725	PV3865	1/4" MNPT	400 PSIG	
150615	MEH225		440 PSIG	MEC



66.1135



UVE445AM



445-21



PV3865



MEH225

Motor Fuel Liquid Service Valves



Motor Fuel Liquid Service Valves						
Item Number	Part Number	Tank Connection	Outlet	Excess Flow	Manufacturer	Case Quantity
150130	80.2062	3/4" MNPT	90° 3/8" Male SAE	3.3 GPM	Cavagna	50 Pcs.
330255	PVE1447B			1.7 GPM	Sherwood	25 Pcs.
150914	ME9101H4			1.5 GPM	MEC	60 Pcs.
330265	PVE1447C *			1.7 GPM	Sherwood	50 Pcs.
330275	PVE1447D **			25 Pcs.		
150135	80.2063		70° 3/8" Male SAE	3.3 GPM	Cavagna	50 Pcs.

* Low Profile. ** Has an Internal Hydrostatic Relief.



80.2062



PVE1447B



ME9101H4



PVE1447C



PVE1447D



80.2063

Motor Fuel Liquid Service Valve Parts				
Item Number	Part Number	Type	Fits	Case Quantity
331605	3250-8LH-KIT	Repair Kit	PVE1447B	100 Pcs.
150920	ME9101BRK		ME9101H4	50 Pcs.
331615	3329-13LH-KIT		PVE1447C	100 Pcs.
331610	3250D-8LH-KIT		PVE1447D	100 Pcs.
150921	ME9101C1BRK *	Repair Kit w/ Handwheel	ME9101H4	25 Pcs.
331550	1901S	Handwheel Only	PVE1447B & PVE1447D	100 Pcs.
331620	3329-7		PVE1447C	500 Pcs.
150922	ME9101C1-102		ME9101H4	100 Pcs.
331665	3740-13	Screw for Handwheel	PVE1447C	100 Pcs.

* Is a Replacment for Rego 19100-50B.



1901S



3329-7



3250-8LH-KIT



3329-13LH-KIT

Motor Fuel Filler Valves					
Item Number	Part Number	Tank Connection	Outlet	Manufacturer	Case Quantity
150150	66.1122	3/4" MNPT	1 3/4" Male Acme	Cavagna	50 Pcs.
330290	PVE1855SD			Sherwood	25 Pcs.
150910	ME601-6			MEC	60 Pcs.
330300	PVE1855SD-90		1/2" Male Flare	Sherwood	25 Pcs.
330305	PVE1855SPD		3/4" FNPT		25 Pcs.
330296	PV1855BRCN	1/2" Male Flare	1 3/4" Male Acme	Sherwood	50 Pcs.
150911	ME602-8		MEC	30 Pcs.	



66.1122



ME601-6



PVE1855SD-90



PVE1855SPD



PVE1855SD



PVE1855BRCN



ME602-8

Motor Fuel Filler Valve Parts & Accessory				
Item Number	Part Number	Part Description	Manufacturer	Case Quantity
121626	10-0053	1 3/4" Acme Cap With Strap	Cavagna	50 Pcs.
331515	1850-10		Sherwood	100 Pcs.
150925	ME601-902		MEC	60 Pcs.
331520	1850-3	1 3/4" Acme Cap	Sherwood	100 Pcs.
331530	1855-100-KIT	1855 Series Repair Kits	Sherwood	25 Pcs.
404010	#1 Cap	Filler Valve Locking Cap	----	----



10-0053



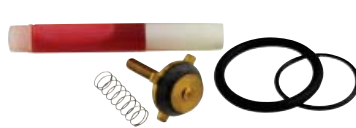
1850-10



ME601-902



1850-3



1855-100-KIT



#1 Cap

Vapor Service Valves						
Item Number	Part Number	Tank Connection	Outlet	Fixed Level Gauge	Excess Flow	Manufacturer
150125	80.3135	3/4" MNPT	Female POL	11.1" Diptube	1.5 GPM	Cavagna
150916	ME9101C5			-----	2.6 GPM	MEC



80.3135



ME9101C5

Vapor Service Valve Parts				
Item Number	Part Number	Type	Fits	Case Quantity
150923	ME9101P5BRK	Repair Kit w/ Handwheel	ME9101C5	50 Pcs.
150924	ME9101P5-105	Handwheel Only		200 Pcs.

Methanol Injector		
Item Number	Part Number	Part Description
360136	MEP700	Methanol Vapor Return Injector w/Tank & 1 1/4" Female Acme Inlet. Holds 42 Oz. @ 250 PSIG.



MEP700

Liquid Withdrawal Valves					
Item Number	Part Number	Tank Connection	Outlet Connection	Closing Flow GPM	Manufacturer
150160	69.0010	3/4" MNPT	5/8" FNPT	20	Cavagna
330757	PVE5136		1 5/8" UNF Male	22	Sherwood
150192	ME460			20	MEC
330762	PVE5137	30		Sherwood	
150950	ME462	1 1/4" MNPT		36	MEC
150721	ME462S *		36		

* Steel.



69.0010



PVE5136



PVE5137



ME462

Liquid Withdrawal Adaptors				
Item Number	Part Number	Inlet Connection	Outlet Connection	Manufacturer
330745	ME453	3/4" MNPT	3/4" FNPT	MEC
330752	ME455		3/4" MNPT	MEC
330646	PA5138	1 5/8" UNF Male	3/4" FNPT	Sherwood
150199	ME458			MEC
150955	ME458S *			MEC

* Steel.



ME453



ME455



PA5138

Liquid Transfer Valves & Fill Valve Adaptor



Liquid Transfer Valves					
Item Number	Part Number	Tank Connection	Outlet Connection	Excess Flow	Manufacturer
330425	PV2341	3/4" MNPT	3/4" FNPT	No	Sherwood
330426	ME449			No	MEC
330428	ME449EXS/22			22 GPM	
330430	PV2341A		1/2" FNPT	No	Sherwood
330440	PV2341X		3/4" FNPT	19.5 GPM	
330435	PV2341AX		1/2" FNPT	19.5 GPM	



PV2341



ME449



PV2341X



Liquid Transfer Shutoff Valve

Fill Valve Adaptor				
Item Number	Part Number	Fill Valve Connection	Outlet Connection	Manufacturer
121980	M450A	1 3/4" Female Acme	3/4" FNPT	Fisher
121981	ME450			MEC



Liquid Withdrawal Adaptor



ME450



Liquid Withdrawal Tank Valve

Liquid Withdrawal Parts			
Item Number	Part Number	Type	Fits
403942	ME458-03	Nylon Gasket	ME453, ME455, & ME458
403944	ME458-04	O-Ring	ME458
150198	ME461	Brass Cap	ME460 & ME462



Liquid Withdrawal Tank Valve Cap

Filler Valves					
Item Number	Part Number	Tank Connection	Outlet Connection	Manufacturer	Case Quantity
150145	66.1134	1 1/4" MNPT	1 3/4" Female Acme	Cavagna	20 Pcs.
330195	PVE623C			Sherwood	50 Pcs.
150909	ME601-10			MEC	30 Pcs.



66.1134



PVE623C



ME601-10

Filler Valve Parts & Accessory				
Item Number	Part Number	Part Description	Manufacturer	Case Quantity
121626	10-0053	1 3/4" Acme Cap With Strap	Cavagna	50 Pcs.
331515	1850-10		Sherwood	100 Pcs.
150925	ME601-902		MEC	60 Pcs.
331520	1850-3	1 3/4" Acme Cap	Sherwood	100 Pcs.
331745	623B-100-Kit	PVE623C Repair Kit		50 Pcs.
331740	623B-30	PVE623C Seal Kit		50 Pcs.
150927	ME601-10SRK	ME601-10 Repair Kit	MEC	50 Pcs.
404010	#1 Cap	Filler Valve Locking Cap	-----	-----



10-0053



1850-3



ME601-902



1850-3



623B-100-KIT



623B-30



#1 Cap

Internal Relief Valves



Internal Relief Valves				
Item Number	Part Number	Tank Connection	Setting	Manufacturer
150170	66.1128	3/4" MNPT	250 psig	Cavagna
330080	UVE433AM			Sherwood
150175	66.1032		275 psig	Cavagna
330079	UVE433AC			Sherwood
150180	66.1129	1" MNPT	250 psig	Cavagna
330155	UVE443AM			Sherwood
150185	66.1033		275 psig	Cavagna
330155	UVE443AC			Sherwood
150190	66.1031	1 1/4" MNPT	250 psig	Cavagna
330185	UVE453AM			Sherwood
330185	UVE453AC			Sherwood



66-1030

433

66-1029

443

66-1031

453

Internal Relief Valve Accessories			
Item Number	Part Number	Part Description	Manufacturer
331670	433-45A	3/4" Rain Cap	Sherwood
331672	443-45A	1" Rain Cap	
331678	453-45A	1 1/4" Rain Cap	
403007	MEH502	1/2" - 3/4" Vinyl Cap	MEC
403009	MEH503	3/4" - 1 1/4" Vinyl Cap	



443-45A



MEH503

Sherwood Liquid Withdrawal Valve

Item Number	Part Number	Tank Connection	Outlet Connection	Relief Setting	Fixed Level Gauge	Tank Size
330505	PV3250CLM-375	3/4" MNPT	9/16"-18 Male Left Hand	375 PSIG	11.6" Diptube	100# Cylinder
331605	3250-8LH-KIT	Repair Kit for PV3250CLM-375				



PVE3250CLM



PVE2035AT



PVE2030BC

Sherwood Multi-Purpose Valves

Item Number	Part Number	Tank Connection	Outlet Connection	Filler Connection	Relief Setting	Fixed Level Gauge	Tank Size
330415	PVE2035AT-250	3/4" MNPT	Female POL	1 3/4" Male Acme	250 PSIG	11.6"	100# Cylinder
330335	PVE2030BC				375 psig		200# Cylinder
330390	PVE2035AT-11.7	1" MNPT				11.7"	420# Cylinder

Multi-Purpose Valve Repair Kits

Item Number	Part Number	Type	Fits	Case Quantity
331605	3250-8LH-KIT	Repair Kit for Bonnet Assembly	PVE2035AT & PVE2035AT-250	100 Pcs.
330417	2035-100-KIT	Repair Kit for Filler Section		25 Pcs.
331615	3329-13LH-KIT	Repair Kit for Bonnet Assembly	PVE2030BC	100 Pcs.
331538	2030-100-KIT	Repair Kit for Filler Section		25 Pcs.



2035-100-KIT



3250-8LH-KIT



3229-13LH-KIT

Vapor Valves



Vapor Valve							
Item Number	Part Number	Tank Connection	Outlet Connection	Relief Setting	Fixed Level Gauge	Manufacturer	
330530	PVE3250BC	3/4" Male NPT	Female POL	312 PSIG	----	Sherwood	
150103	80.5064			375 PSIG	----	Cavagna	
330445	PVE3250C			375 PSIG	----	Sherwood	
150104	80.5016			10.2" Diptube	11.6" Diptube	Cavagna	
330485	PVE3250CLG-375			435 PSIG			Sherwood
330480	PVE3250CLG-435			----			
330460	PVE3250ADT-7			----	11" Diptube	Cavagna	
330490	PVE3250ALG7T			375 PSIG	10.2" Diptube		
150100	80.6033						
150105	80.6032						



PVE3250BC



80.5064



PVE3250C



80.5016



PVE3250CLG-375



PVE3250ADT-7



PVE3250ALG7T

Vapor Valve Repair Kits				
Item Number	Part Number	Type	Fits	Case Quantity
331605	3250-8LH-KIT	Repair Kit for Bonnet Assembly	PVE3250C, PVE3250CLG, PVE3250A	100 Pcs.
331615	3329-13LH-KIT		PVE3250BC	100 Pcs.



3250-8LH-KIT



3329-13LH-KIT

Fisher External Relief/Hydrostatic Valves

Item Number	Part Number	Container Type	Start-To-Discharge Settings, PSIG / bar	Container Connection, Inches	Flow Capacity, SCFM / SCM ^H Air
					UL
120900	H110-250	ASME	250 / 17,2	1/4" MNPT	310 / 527
120920	H125-250			1/2" MNPT	594 / 1,009
120935	H160-250			3/4" MNPT	605 / 1,028
120955	H185-250			3/4" MNPT	2,223 / 3,777
120960	H185-275		275 / 19,0	3/4" MNPT	2,456 / 4,173
120905	H110-312		312 / 21,5	1/4" MNPT	390 / 663
120925	H135-312			1/2" MNPT	765 / 1,300
120940	H160-312			3/4" MNPT	
120930	H148	DOT or Hydrostatic Relief	375 / 25,9	1/2" MNPT	903 / 1,534 *
120945	H173			3/4" MNPT	
120907	H120-60	Hydrostatic Relief	120 / 8,3	1/4" MNPT	-----
120908	H120-120			1/4" MNPT	
120910	H123			1/4" MNPT	
120908	H120-120		120 / 8,3	1/4" MNPT	
120915	H124		450 / 31,0	1/4" MNPT	
120927	H144			1/2" MNPT	
120947	H174			3/4" MNPT	

* DOT cylinder water capacity 500 pounds / 227 kg. approved by Bureau of Explosives & CGA.



Fisher External Relief Valve Accessories

Item Number	Part Number	Type	Fits
122700	P174	Pipeaway Adaptor (1/2" FNPT)	H125-250, H160-250, H135-312, H160-312, H148, & H173
122660	P143	Rain Cap	H185-275
122665	P145		H185-250
122795	P206		H110-250, H110-312, H148, H173, H123, H120-120, H124, H144, & H177

Multi-Purpose Valves



Multi-Purpose Valves					
Item Number	Part Number	Tank Connection	Diptube	Manufacturer	Case Quantity
150245	67.0720	3/4" MNPT	Included	Cavagna	20 Pcs.
330355	PVE2033CLT		Sold Separately	Sherwood	25 Pcs.
330360	PVE2033DLDBT *				25 Pcs.

* Includes A Dual Bonnet.



67.0720



PVE2033CLT



PVE2033DLDBT

Multi-Purpose Valve Accessories				
Item Number	Part Number	Part Description	Fits	Case Quantity
330356	2033-15-15	Diptube	Sherwood 2033CL & 2033CLDB	25 Pcs.
331565	2033-100-KIT	Vapor Return Repair Kit		25 Pcs.
330691	3429-100-KIT	Dual Bonnet Complete Less Handwheel		100 Pcs.
330692	6775-60-KIT	Handwheel, Bonnet, & Stem Assy. Repair Kit		50 Pcs.
129080	T13184-T0012	Fisher 600 Series Bonnet Repair Kit	Fisher	1 Pc.

2033-15-15

Multi-Service Valves							
Item Number	Part Number	Tank Connection	Outlet Connection	Relief Setting	Fixed Level Gauge	Tank Size	Manufacturer
330420	2098A	2 1/2" FNPT	Female POL	250 PSIG	30" Diptube *	Up To 300 Sq. Ft.	Sherwood

* Diptube Must Be Cut to Length. For Underground Service Only.



2098A



MEP126

Valve Tool		
Item Number	Part Number	Part Description
150627	MEP126	Multi-Service Valve Tool

Section C Index	
• 1 1/4" Threaded Lp Gauges	60
• 1" Threaded Lp Gauges	59
• 3/4" Threaded Lp Gauges	58
• Dial Installation	83-84
• Dial Ordering Information	81-82
• Flow Indicator	69
• Gauge Ordering Information	72
• Gauge Reference Information	73
• Junior Above Ground LP Gauges	54
• Junior Below Ground LP Gauges	55
• Junior Motorfuel LP Gauges	56
• Lift Truck LP Gauges	62
• LP Dials for Above Ground & Motor Fuel	74
• LP Dials for Glue-On, Visible"4", & RoadMaster	78
• LP Dials for Lift Truck & Vertical	76
• LP Dials for Master	80
• LP Dials for Motor Fuel & Lift Truck	75
• LP Dials for RoadMaster & Master	79
• LP Dials for Vertical, Below Ground, & Glue-On	77
• Master Gauges	65-66
• R6315-12 Liquid Level Transmitter	80
• RoadMaster Mobile Applications	63-64
• Rotary Gauges	68
• Senior Above Ground LP Gauges	57
• Stationary Tank Monitor	71
• The Eliminator™	67
• Vertical Cylinder LP Gauges	61
• Will Call Monitor	70

Junior Above Ground LP Gauges



Float Gauges are designed to indicate the liquid level contents of LP-Gas Containers. These gauges mount in a Junior flanged coupling with a 2 1/32" [51,5] diameter bolt circle.

Junior gauges are supplied standard with Buna-N gasket and four zinc-plated steel mounting screws (1/4"-28 X 7/8"). These gauges are available in top, side or end, and angle mounting for above ground tanks. **Note:** *Torque mounting bolts evenly to 20 to 50 in-lb. [2,3 to 5,6 Nm]*

Junior LP Standard Sizes										
Item Number	Part Number	"H"	Tank Diameter	Head Type	Mount	Case Quantity	Replacement Dials			
							Drop-In Dial	Drop-In R3D Dial	Tabbed Dial	Tabbed R3D Dial
130299	JA124IP	1/2"	24"	Alum.	Top	50 Pcs.	130012	130022	130021	130082 *
130305	JA154IP	1/2"	30"	Alum.	Top	50 Pcs.	130012	130022	130021	130082 *
130310	JA192JP	1/2"	37"	Alum.	Top	50 Pcs.	130012	130022	130021	130082 *
130315	JA206IP	1/2"	41"	Alum.	Top	50 Pcs.	130012	130022	130021	130082 *
130301	JC124B	1/2"	24"	Alum.	45°	50 Pcs.	130012	130022	130021 *	130082
130303	JC154A	1/2"	30"	Alum.	45°	50 Pcs.	130012	130022	130021 *	130082
130307	JC190B	1/2"	37"	Alum.	45°	50 Pcs.	130012	130022	130021 *	130082
130312	JC210B	1/2"	41"	Alum.	45°	50 Pcs.	130012	130022	130021 *	130082
130316	JD080D	1/2"	24"	Alum.	End	50 Pcs.	130012	130022	130021 *	130082
130318	JD100F	1/2"	30"	Alum.	End	50 Pcs.	130012	130022	130021 *	130082
130320	JD120D	1/2"	37"	Alum.	End	50 Pcs.	130012	130022	130021 *	130082
130322	JD140C	1/2"	41"	Alum.	End	50 Pcs.	130012	130022	130021	130082 *

"H" = Distance from tank surface to center of thread.

*Denotes Standard Dial

Junior Gauge Parts		
Item Number	Part Number	Case Quantity
130118	Jr. Gauge Screw	50 Pcs.
130121	Jr. Gauge Gasket Buna-N	50 Pcs.
130134	Jr. Gauge Gasket Teflon	1 Pc.
130101	Jr. Gauge Head Only	1 Pc.



Float Gauges are designed to indicate the liquid level contents of LP-Gas Containers. These gauges mount in a Junior flanged coupling with a 2 1/32" [51,5] diameter bolt circle.

Junior gauges are supplied standard with Buna-N gasket and four zinc-plated steel mounting screws (1/4"-28 X 7/8").

Note: Torque mounting bolts evenly to 20 to 50 in-lb. [2,3 to 5,6 Nm]

Junior LP Standard Sizes										
Item Number	Part Number	"H"	Tank Diameter	Head Type	Mount	Case Quantity	Replacement Dials			
							Drop-In Dial	Drop-In R3D Dial	Tabbed Dial	Tabbed R3D Dial
131572	JB302AP	18 1/4"	24"	Alum.	Top	50 Pcs.	130011	130024	N/A	130083 *
131550	JB340A	22"	24"	Alum.	Top	50 Pcs.	130011 *	130024	N/A	130083
131574	JB332AP	18 1/4"	30"	Alum.	Top	50 Pcs.	130011	130024	N/A	130083 *
131551	JB370C	22"	30"	Alum.	Top	50 Pcs.	130011	130024	N/A	130083 *
131576	JB370FP	18 1/4"	37"	Alum.	Top	50 Pcs.	130011	130024	N/A	130083 *
131552	JB404D	22"	37"	Alum.	Top	50 Pcs.	130011	130024 *	N/A	130083
133860	JB386FP	18 1/4"	41"	Alum.	Top	50 Pcs.	130011	130024	N/A	130083 *
131553	JB424C	22"	41"	Alum.	Top	50 Pcs.	130011	130024 *	N/A	130083

"H" = Distance from tank surface to center of thread.

*Denotes Standard Dial

Junior Gauge Parts		
Item Number	Part Number	Case Quantity
130118	Jr. Gauge Screw	50 Pcs.
130121	Jr. Gauge Gasket Buna-N	50 Pcs.
130134	Jr. Gauge Gasket Teflon	1 Pc.
130101	Jr. Gauge Head Only	1 Pc.



Junior Motorfuel LP Gauges



Float Gauges are designed to indicate the liquid level contents of LP-Gas Containers. These gauges mount in a Junior flanged coupling with a 2 1/32" [51,5] diameter bolt circle.

Junior gauges are supplied standard with Buna-N gasket and four zinc-plated steel mounting screws (1/4"-28 X 7/8"). These gauges are available in top, side or end, and angle mounting for motorfuel tanks. **Note:** *Torque mounting bolts evenly to 20 to 50 in-lb. [2,3 to 5,6 Nm]*

Junior LP Standard Sizes								
Item Number	Part Number	"H" Dimension	Tank Diameter	Head Type	Mount	Case Quantity	Replacement Dials	
							Drop-In Dial	Tabbed Dial
130247	10CC	-3/8"	10"	Aluminum	Side, End	50 Pcs.	136000	136005
130248	12CC	-3/8"	12"	Aluminum	Side, End	50 Pcs.	136000	136005
130250	14CC	-3/8"	14"	Aluminum	Side, End	50 Pcs.	136000	136005
130251	16CC	-3/8"	16"	Aluminum	Side, End	50 Pcs.	136000	136005
130252	18CC	-3/8"	18"	Aluminum	Side, End	50 Pcs.	136000	136005
130253	20CC	-3/8"	20"	Aluminum	Side, End	50 Pcs.	136000	136005
130254	22CC	-3/8"	22"	Aluminum	Side, End	50 Pcs.	136000	136005
130255	24CC	-3/8"	24"	Aluminum	Side, End	50 Pcs.	136000	136005
130249	12AC	-3/8"	12"	Aluminum	45° Angle	50 Pcs.	136000	136005
130256	14AC	-3/8"	14"	Aluminum	45° Angle	50 Pcs.	136000	136005
130257	16AC	-3/8"	16"	Aluminum	45° Angle	50 Pcs.	136000	136005
130258	18AC	-3/8"	18"	Aluminum	45° Angle	50 Pcs.	136000	136005
130259	20AC	-3/8"	20"	Aluminum	45° Angle	50 Pcs.	136000	136005
130260	22AC	-3/8"	22"	Aluminum	45° Angle	50 Pcs.	136000	136005
130261	24AC	-3/8"	24"	Aluminum	45° Angle	50 Pcs.	136000	136005

"H" = Distance from tank surface to center of thread.

Junior Gauge Parts		
Item Number	Part Number	Case Quantity
130118	Jr. Gauge Screw	50 Pcs.
130121	Jr. Gauge Gasket Buna-N	50 Pcs.
130134	Jr. Gauge Gasket Teflon	1 Pc.
130101	Jr. Gauge Head Only	1 Pc.



Float Gauges are designed to indicate the liquid level contents of LP-Gas Containers. These gauges mount in a Senior flanged coupling with a 2 1/2" [63,5] diameter bolt circle.

Senior gauges are supplied standard with Buna-N gasket and four zinc-plated steel mounting screws (5/16"-24 X 7/8"). These gauges are available in top, side or end, and angle mounting for above ground tanks. A Visible "4" Dial is available.

Note: Torque mounting bolts evenly to 30 to 60 in-lb. [3,4 to 6,8 Nm]

Senior LP Standard Sizes										
Item Number	Part Number	"H"	Tank Diameter	Head Type	Mount	Case Quantity	Replacement Dials			
							Drop-In Dial	Drop-In R3D Dial	Tabbed Dial	Tabbed R3D Dial
130324	SA130A	1"	24"	Alum.	Top	50 Pcs.	130009	130023	130037 *	403594
130326	SA160A	1"	30"	Alum.	Top	50 Pcs.	130009	130023	130037 *	403594
130328	SA194A	1"	37"	Alum.	Top	50 Pcs.	130009	130023	130037 *	403594
130330	SA214A	1"	41"	Alum.	Top	50 Pcs.	130009	130023	130037 *	403594
130332	SC130B	1"	24"	Alum.	45°	50 Pcs.	130012	130022	130037 *	403594
130334	SC160A	1"	30"	Alum.	45°	50 Pcs.	130012	130022	130037 *	403594
130336	SC194D	1"	37"	Alum.	45°	50 Pcs.	130012	130022	130037 *	403594
130338	SC214C	1"	41"	Alum.	45°	50 Pcs.	130012	130022	130037	403594 *
130340	SD080D	1"	24"	Alum.	End	50 Pcs.	130012 *	130022	130037	403594
130342	SD100C	1"	30"	Alum.	End	50 Pcs.	130012	130022	130037 *	403594
130344	SD120G	1"	37"	Alum.	End	50 Pcs.	130012	130022	130037 *	403594
130346	SD140A	1"	41"	Alum.	End	50 Pcs.	130012	130022	130037 *	403594

"H" = Distance from tank surface to center of thread.

*Denotes Standard Dial

Senior Gauge Parts		
Item Number	Part Number	Case Quantity
130119	Sr. Gauge Screw	50 Pcs.
130120	Sr. Gauge Screw - Phillips	50 Pcs.
130122	Sr. Gauge Gasket Buna-N	50 Pcs.
130130	Sr. Gauge Gasket Teflon	1 Pc.
130131	Sr. Gauge Gasket Spirotallic	1 Pc.
130104	Sr. Gauge Head Only	1 Pc.



3/4" Threaded LP Gauges



Float Gauges are designed to indicate the liquid level contents of LP-Gas Containers. These gauge mount in a 3/4" tank coupling.

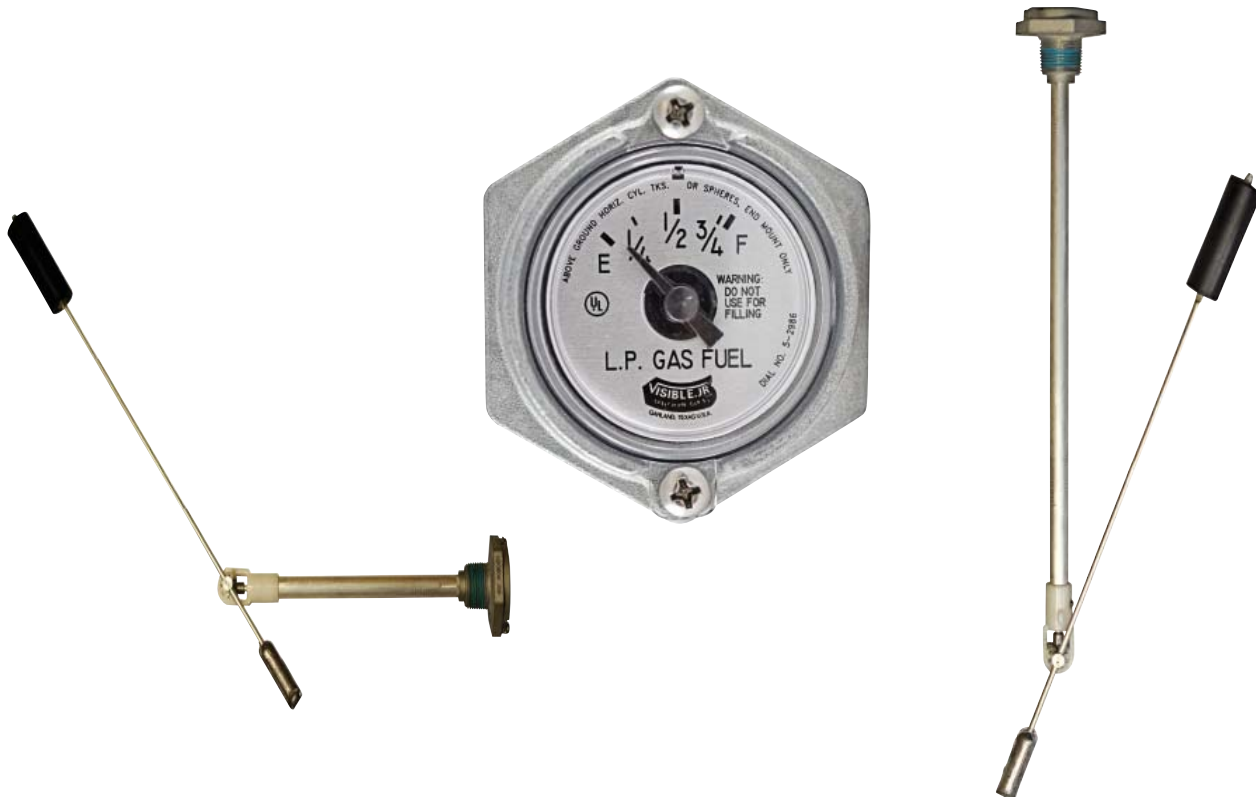
The UA series gauges are only for top mount applications in an above ground tank. These come standard with a 3/4" threaded zinc head with a 2" hex wrenching flat and junior tabbed dial. **Note:** *Torque head evenly to 50 to 100 ft-lbs. [68 to 136 Nm].*

3/4" Threaded Domestic Standard Sizes										
Item Number	Part Number	"H"	Tank Diameter	Head Type	Mount	Case Quantity	Replacement Dials			
							Drop-In Dial	Drop-In R3D Dial	Tabbed Dial	Tabbed R3D Dial
131640	UA130A	1"	24"	3/4" Zinc	Top	50 Pcs.	130012	130022	130052 *	N/A
131645	UA160A	1"	30"	3/4" Zinc	Top	50 Pcs.	130012	130022	130052 *	N/A
131650	UA194A	1"	37"	3/4" Zinc	Top	50 Pcs.	130012	130022 *	130052	N/A
131655	UA210A	1"	41"	3/4" Zinc	Top	50 Pcs.	130012 *	130022	130052	N/A

3/4" Horizontal Standard Sizes										
Item Number	Part Number	"H"	Tank Diameter	Head Type	Mount	Case Quantity	Replacement Dials			
							Drop-In Dial	Drop-In R3D Dial	Tabbed Dial	Tabbed R3D Dial
131670	UD080A	1"	24"	3/4" Zinc	End	50 Pcs.	N/A	N/A	130043 *	N/A
131671	UD080B	1"	30"	3/4" Zinc	End	50 Pcs.	N/A	N/A	130043 *	N/A
131674	UD120A	1"	37"	3/4" Zinc	End	50 Pcs.	N/A	N/A	130043 *	N/A
131673	UD140A	1"	41"	3/4" Zinc	End	50 Pcs.	N/A	N/A	130043 *	N/A

"H" = Distance from tank surface to center of thread.

*Denotes Standard Dial



Float Gauges are designed to indicate the liquid level contents of LP-Gas Containers. These gauges mount in a 1" tank coupling.

The HA series gauges are only for top mount applications in an above ground tank. These come standard with a 1" threaded brass head with a 2" hex wrenching flat. **Note:** *Torque head evenly to 75 to 150 ft.-lbs. [102 to 200 Nm].*

1" Threaded Domestic Standard Sizes

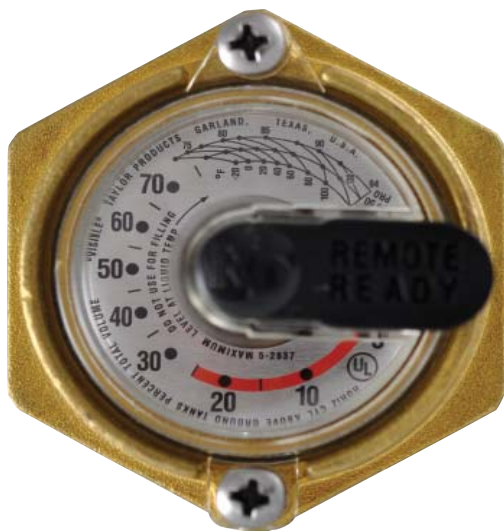
Item Number	Part Number	"H"	Tank Diameter	Head Type	Mount	Case Quantity	Replacement Dials			
							Drop-In Dial	Drop-In R3D Dial	Tabbed Dial	Tabbed R3D Dial
131589	HA130AP	1"	24"	1" Brass	Top	50 Pcs.	130012	130022	130021	130082 *
131591	HA156AP	1"	30"	1" Brass	Top	50 Pcs.	130012	130022	130021	130082 *
131592	HA160AP	1"	30"	1" Brass	Top	50 Pcs.	130012	130022	130021	130082 *
131594	HA162AP	1"	31.5"	1" Brass	Top	50 Pcs.	130012	130022	130021	130082 *
131595	HA194AP	1"	37"	1" Brass	Top	50 Pcs.	130012	130022	130021	130082 *
131661	HA210AP	1"	41"	1" Brass	Top	50 Pcs.	130012	130022	130021	130082 *

1" Threaded Vertical Cylinder Standard Sizes

Item Number	Part Number	"H"	Tank Size	Head Type	Mount	Case Quantity	Replacement Dials			
							Drop-In Dial	Drop-In R3D Dial	Tabbed Dial	Tabbed R3D Dial
131608	HA180AP	1"	200 Lb.	1" Brass	Top	50 Pcs.	130006	130039	130047	130038 *
131619	HA254JP	1"	420 Lb.	1" Brass	Top	50 Pcs.	130014	132765	N/A	130084 *

"H" = Distance from tank surface to center of thread.

*Denotes Standard Dial



1 1/4" Threaded LP Gauges



Float Gauges are designed to indicate the liquid level contents of LP-Gas Containers. These gauges mount in a 1 1/4" tank coupling.

The TA series gauges are only for top mount applications in an above ground tank. These come standard with a 1 1/4" threaded brass head with a 2" hex wrenching flat. **Note:** *Torque head evenly to 100 to 200 ft.-lbs. [136 to 270 Nm].*

1 1/4" Threaded Domestic Standard Sizes										
Item Number	Part Number	"H"	Tank Diameter	Head Type	Mount	Case Quantity	Replacement Dials			
							Drop-In Dial	Drop-In R3D Dial	Tabbed Dial	Tabbed R3D Dial
131600	TA130AP	1"	24"	1 1/4" Brass	Top	50 Pcs.	130012	130022	130021	130082 *
131604	TA156AP	1"	30"	1 1/4" Brass	Top	50 Pcs.	130012	130022 *	130021	130082
131605	TA160AP	1"	30"	1 1/4" Brass	Top	50 Pcs.	130012	130022	130021	130082 *
131609	TA164AP	1"	32"	1 1/4" Brass	Top	50 Pcs.	130012	130022	130021 *	130082
131610	TA194AP	1"	37"	1 1/4" Brass	Top	50 Pcs.	130012	130022	130021	130082 *
131615	TA210AP	1"	41"	1 1/4" Brass	Top	50 Pcs.	130012	130022	130021	130082 *

1 1/4" Threaded Vertical Cylinder Standard Sizes										
Item Number	Part Number	"H"	Tank Size	Head Type	Mount	Case Quantity	Replacement Dials			
							Drop-In Dial	Drop-In R3D Dial	Tabbed Dial	Tabbed R3D Dial
131611	TA180AP	1"	200 Lb.	1 1/4" Brass	Top	50 Pcs.	130006	130039	130047 *	130038
131616	TA254NS	1"	420 Lb.	1 1/4" Brass	Top	50 Pcs.	130014	132765	N/A	130084 *

"H" = Distance from tank surface to center of thread.

*Denotes Standard Dial



Float Gauges are designed to indicate the liquid level contents of LP-Gas Containers. These gauges mount in a Junior flanged, 1" or 1 1/4" tank coupling.

The JA series gauges are only for top mount applications in a vertical cylinder. These come standard with Buna-N gasket and four zinc-plated steel mounting screws (1/4"-28 X 7/8"). **Note:** *Torque mounting bolts evenly to 20 to 50 ft.-lbs. [2,3 to 5,6 Nm]*

The HA series gauges are only for top mount applications in a vertical cylinder. These come standard with a 1" threaded brass head with a 2" hex wrenching flat. **Note:** *Torque head evenly to 75 to 150 ft.-lbs. [102 to 200 Nm].*

The TA series gauges are only for top mount applications in a vertical cylinder. These come standard with a 1 1/4" threaded brass head with a 2" hex wrenching flat. **Note:** *Torque mounting bolts evenly to 100 to 200 ft.-lbs. [136 to 270 Nm]*

Junior Vertical Cylinder Standard Sizes

Item Number	Part Number	"H"	Tank Size	Head Type	Mount	Case Quantity	Replacement Dials			
							Drop-In Dial	Drop-In R3D Dial	Tabbed Dial	Tabbed R3D Dial
131545	JA176B	1/2"	200 Lb.	Alum.	Top	50 Pcs.	130006	130039	130047	130038 *
131540	JA250J	1/2"	420 Lb.	Alum.	Top	50 Pcs.	130014	132765	N/A	130084 *

1" Threaded Vertical Cylinder Standard Sizes

Item Number	Part Number	"H"	Tank Size	Head Type	Mount	Case Quantity	Replacement Dials			
							Drop-In Dial	Drop-In R3D Dial	Tabbed Dial	Tabbed R3D Dial
131608	HA180AP	1"	200 Lb.	1" Brass	Top	50 Pcs.	130006	130039	130047	130038 *
131619	HA254JP	1"	420 Lb.	1" Brass	Top	50 Pcs.	130014	132765	N/A	130084 *

1 1/4" Threaded Vertical Cylinder Standard Sizes

Item Number	Part Number	"H"	Tank Size	Head Type	Mount	Case Quantity	Replacement Dials			
							Drop-In Dial	Drop-In R3D Dial	Tabbed Dial	Tabbed R3D Dial
131611	TA180AP	1"	200 Lb.	1 1/4" Brass	Top	50 Pcs.	130006	130039	130047 *	130038
131616	TA254NS	1"	420 Lb.	1 1/4" Brass	Top	50 Pcs.	130014	132765	N/A	130084 *

"H" = Distance from tank surface to center of thread.

*Denotes Standard Dial



Lift Truck LP Gauges



Float Gauges are designed to indicate the liquid level contents of LP-Gas Containers. These gauges mount in a Junior flanged, a 3/4" or a 1 1/4" tank coupling.

These gauges are for 20 Lb, 33 Lb., and 43 Lb. Lift Truck cylinders. The JU, TU, and UU series are Universal and will read either vertically or horizontally. The JA series are for vertical cylinders only. The JD060A and TD060A are for horizontal cylinders only. A 3/4" zinc head is optional on the UU series.

Lift Truck Standard Sizes								
Item Number	Part Number	"H" Dimension	Tank Size	Head Type	Mount	Case Quantity	Replacement Dials	
							Drop-In Dials	Tabbed Dials
131506	JU086B	1/2"	20 Lb.	Aluminum	Side, End	50 Pcs.	130002 *	N/A
131507	UU086B	1"		3/4" Snap-On	Side, End	50 Pcs.	130033 *	403582
131520	TU086B	1"		1 1/4" Brass	Side, End	50 Pcs.	130002 *	N/A
131512	JU160B	1/2"	33 Lb.	Aluminum	Side, End	50 Pcs.	130013	130081 *
131513	UU160B	1"		3/4" Snap-On	Side, End	50 Pcs.	130033	403582 *
131499	UU160E	1"		3/4" Zinc	Side, End	50 Pcs.	130033	130081 *
131530	TU160B	1"		1 1/4" Brass	Side, End	50 Pcs.	130013	130081 *
131516	JU212A	1/2"	43 Lb.	Aluminum	Side, End	50 Pcs.	130004	130051 *
131517	UU212A	1"		3/4" Snap-On	Side, End	50 Pcs.	130033	403582 *
131535	TU212A	1"		1 1/4" Brass	Side, End	50 Pcs.	130004	130048 *

Vertical Mount Standard Sizes								
Item Number	Part Number	"H" Dimension	Tank Size	Head Type	Mount	Case Quantity	Replacement Dials	
							Drop-In Dials	Tabbed Dials
131510	JA086A	1/2"	20 Lb.	Aluminum	Vertical	50 Pcs.	130009 *	N/A
131514	JA166A	1/2"	33 Lb.	Aluminum	Vertical	50 Pcs.	130009 *	N/A
131518	JA216A	1/2"	43 Lb.	Aluminum	Vertical	50 Pcs.	130009 *	N/A

Horizontal Mount Standard Sizes								
Item Number	Part Number	"H" Dimension	Tank Size	Head Type	Mount	Case Quantity	Replacement Dials	
							Drop-In Dials	Tabbed Dials
131508	JD060A	1/2"	20, 33,	Aluminum	Horizontal	50 Pcs.	130012	130021 *
131525	TD060A	1"	43 Lb.	1 1/4" Brass	Horizontal	50 Pcs.	130012 *	130021

"H" = Distance from tank surface to center of thread.

*Denotes Standard Dial



The RM Series RoadMaster gauges were designed to withstand the vibration and shock inherent in mobile service. Their service life in over-the-road, transports and bobtails, carrying LP-Gas, is unsurpassed. These gauges allow a continuous reading between 5% and 95% of tank contents.

The RM Series RoadMaster gauges are to be installed in the side or end of mobile tanks at the centerline. They are equipped with a spring controlled shock absorber on the float arm which substantially reduces the stress that quickly destroys conventional gauges. Angle mounting gauges are also available.

The standard model mounts in an 8 bolt adaptor and incorporates a 4" [100 mm] dial with an available 8" [200 mm] dial. When necessary, the dials are easily replaceable.

The RM Series RoadMaster gauges are designed for working pressures ranging from atmospheric to 450 [31 Bar] psig.

Note: Refer to Gauge Instructions for mounting bolt torque specifications.

RoadMaster Standard Sizes			
Item Number	Part Number	Tank Diameter	Case Quantity
131825	RM1425	56"	1 Pc.
131830	RM2030	66"	1 Pc.
131833	RM1833	72"	1 Pc.
131834	RM1834	74"	1 Pc.
131836	RM1836	78"-79"	1 Pc.
131832	RM2437	80"	1 Pc.
131838	RM2438	82"-84"	1 Pc.
131840	RM2440	85"-86"	1 Pc.
131941	RM2941	87"	1 Pc.
131841	RM1841	88"	1 Pc.
131842	RM2942	90"	1 Pc.
131245	RM3245	96"	1 Pc.

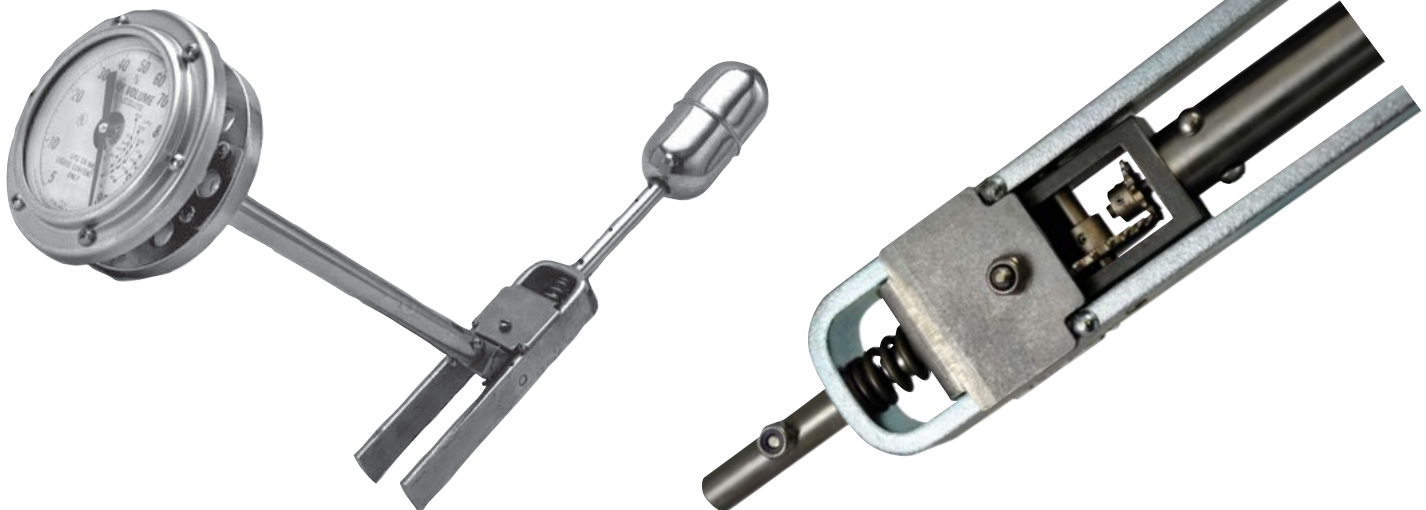
RoadMaster Options	
Suffix	Description
SS	Adds Stainless Steel Counter-Weight
X	Straddle Mount
Y	Includes Adapter To Fit A 2" Opening

Examples:

RM1836SS - A RM1836 with all Stainless Steel construction

RM1836X - A RM1836 for a Straddle Mount

RM1836Y - A RM1836 to fit a 2" opening



RoadMaster Parts	
Item Number	Part Number
130040	Spirotallic Gasket
118425	5331 - 2 1/2" X 8 Bolt Flange Adaptor
131845	RoadMaster Dial Bracket Kit
131839	RoadMaster Dial Assembly Complete
131820	RoadMaster R3D Dial Assembly Complete
130093	Stud Bolt & Nut Kit (not shown)
131823	RoadMaster Angle Bracket Kit
131821	RoadMaster Fluorescent Dial Only
131822	RoadMaster R3D Fluorescent Dial Only
131824	RoadMaster Dial Crystal
131819	RoadMaster Dial Crystal Gasket



131823
Angle Bracket



131839



131820



131821



131822

The Master Series™ liquid-level gauges are designed to indicate the liquid level contents of LP-Gas in stationary-storage tanks.

The Master Series™ are available in two basic models:

Model A - Stainless Steel Senior head which mounts to a 2" MNPT x Senior adaptor.

Model B - Stainless Steel head which mounts to a 2 1/2" X 8-Bolt flange adaptor.

Both models incorporate a 8" [100 mm] dial with an available 4" [200 mm] dial. When necessary, the dials are easily replaceable. Standard mounting is end or top mounting. These gauges can be special ordered with angle or straddle mounts. The model A comes standard with cap screws and a Senior spirotallic gasket. The model B comes with a stud and nut kit and spirotallic gasket.

The Master Series™ gauges are designed for working pressures ranging from atmospheric to 450 [31 Bar] psig. **Note:** Refer to Gauge Instructions for mounting bolt torque specifications.

Master Standard Sizes							
Item Number	Part Number	Tank Diameter	Tank Opening	Model Type	Mount	Old LP-Gas Number	Old NH3 Number
138000	ME2434A	72"	2"	A	Side, End	MD240A	DD240B
138005	ME2434B		2 1/2"	B	Side, End	MD240B	DD240A
138010	ME2738A	82"	2"	A	Side, End	MD270B	DD270D
138015	ME2738B		2 1/2"	B	Side, End	MD270A	DD270G
138020	ME2839A	84"	2"	A	Side, End	MD280B	DD280G
138025	ME2839B		2 1/2"	B	Side, End	MD280C	DD280C
138030	ME3245A	96"	2"	A	Side, End	MD320C	DD320F
138035	ME3245B		2 1/2"	B	Side, End	MD320A	DD320B
138040	ME3650A	104"-108"	2"	A	Side, End	MD360B	DD360A
138045	ME3650B		2 1/2"	B	Side, End	MD360C	DD360B
138050	ME3862A	130"	2"	A	Side, End	ME430A	DD430B
138055	ME3862B		2 1/2"	B	Side, End	MD380F	DD380F



118405

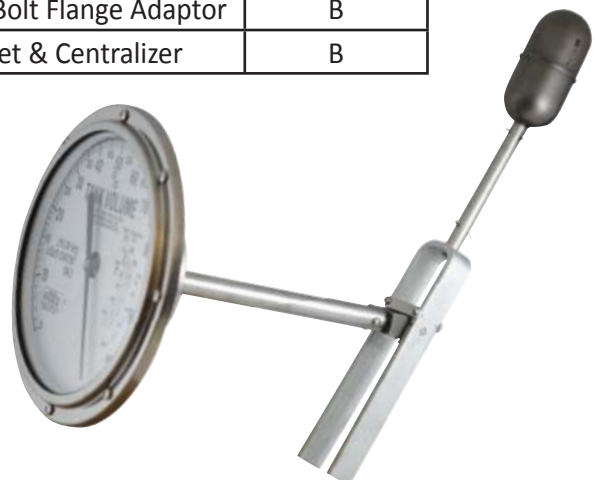
Master Gauge Parts		
Item Number	Part Number	Model Type
130040	Spirotallic Gasket	B
118405	5305 2" MNPT X Sr. Head Adaptor	A
118425	5331 2 1/2" X 8 Bolt Flange Adaptor	B
118428	5330 Weld In 8 Bolt Flange Adaptor	B
130206	Master Gasket & Centralizer	B



118428



118425



Old Style Master Gauge Parts			
Item Number	Part Number	Model Type	Case Quantity
130130	Sr. Teflon Gasket	A	1 Pc.
130202	Model A Head Strap Pre 08	A	1 Pc.
130119	Sr. Gauge Screw	A	50 Pcs.
130205	Master Dial 2-Bkt Kit	A & B	1 Pc.
130035	Master Dial LP or NH3 2-Bkt Pre 08	A & B	1 Pc.
130036	4102 LP Only Dial 2-Bkt Pre 08	A & B	1 Pc.
130030	4607 NH3 Only Dial 2-Bkt Pre 08	A & B	1 Pc.
130078	Master R3D Dial LP or NH3 2-Bkt Pre 08	A & B	1 Pc.
130076	Master R3D Sender & Cable	A & B	1 Pc.
130088	Master Fluorescent Dial LP & NH3 2-BKT	A & B	1 Pc.
130094	Master R3D Fluorescent Dial LP & NH3 2-BKT	A & B	1 Pc.
130127	Master Dial Screws 1032-1 (2 req.)	A & B	1 Pc.
130219	Master Gauge Bolts (8 req.)	B	1 Pc.

New Style Master Gauge Parts			
Item Number	Part Number	Model Type	Case Quantity
130131	Sr. Spirotallic Gasket	A	1 Pc.
130095	Model A Head Strap Post 07	A	1 Pc.
403631	Sr. Cap Screw	A	1 Pc.
130098	Master Dial 3-Bkt Kit	B	1 Pc.
130090	Master Dial LP or NH3 3-Bkt Post 07	B *	1 Pc.
130091	4102 LP Only Dial 3-Bkt Post 07	B *	1 Pc.
130092	4607 NH3 Only Dial 3-Bkt Post 07	B *	1 Pc.
130034	Master R3D Dial LP or NH3 3-Bkt Post 07	B *	1 Pc.
130076	Master R3D Sender & Cable	A & B	1 Pc.
130089	Master Fluorescent Dial LP & NH3 3-BKT	B *	1 Pc.
130099	Master R3D Fluorescent Dial LP & NH3 3-BKT	B *	1 Pc.
130093	Master Stud Bolt and Nut Kit (8)	B	1 Pc.

* These Dials have 3 blank holes to mount on a Model B only. If you need a Dial for a Model A then you must specify Model A when ordering.

New Style Heads

Old Style Heads



Model A



3-Bracket
Model B



Model A



2-Bracket
Model B

The Eliminator™ direct-reading float gauge is a direct replacement for 1" NPT rotary-type dip-tube gauges in LP-Gas storage tanks.

These Gauges are designed for larger tanks up to 96" [2134 mm] in diameter. The Eliminator™ is not intended for use in filling tanks - its use is restricted to tanks with fixed liquid level gauges, used to determine when the maximum fill level has been reached.

Eliminator Standard Sizes

Item Number	Part Number	Tank Diameter	Case Quantity
131900	EL4442	42"	1 Pc.
131901	EL6046	46"	1 Pc.
131902	EL6048	48"	1 Pc.
131903	EL6056	56"	1 Pc.
131906	EL6060	60"	1 Pc.
131909	EL7266	66"	1 Pc.
131912	EL7272	72"	1 Pc.
131914	EL8474	74"	1 Pc.
131916	EL8476	76"	1 Pc.
131919	EL8479	79"	1 Pc.
131920	EL8480	80"	1 Pc.
131921	EL8481	81"	1 Pc.
131922	EL8482	82"	1 Pc.
131923	EL8484	84"	1 Pc.
131925	EL8486	86"	1 Pc.
131926	EL8487	87"	1 Pc.
131930	EL9696	96"	1 Pc.

* Any Eliminator installed in a mobile tank greater than 60" is excluded from the Taylor Gauge Limited Warranty and cannot be reworked.



How To Do The Conversion

1. After the storage tank has been evacuated, remove the rotary gauge from the 1" NPT opening at the centerline of the head. Clean and re-tap the female threads.
2. Remove the two screws from the bezel. Put the bezel, screws and dial chamber aside for the moment. Remove the four mounting screws holding the gauge head to the adapter.
3. Insert the lower portion of the replacement gauge, including the float bulb, float arm, gear housing and counterbalance, into the tank opening.
4. Apply three wraps of 1/2" [12 mm] wide Teflon tape, or other suitable thread sealant, to the 1" NPT threads on the steel adapter through which the gauge support passes.
5. Screw the adapter into the tank opening to achieve a leak-tight joint, and align the gauge mounting holes in the horizontal plane.
6. Using the gasket and four mounting screws supplied, attach the gauge to the adapter finger tight. Be sure the gauge is right side up, the bracket tab for locating dial chamber should be on the right. Torque the mounting screws evenly to 140/150 lb. in., [16,4 Nm] using a cross pattern.
7. Reattach the 4" dial chamber and bezel to the Senior™ gauge head brackets using the two screws supplied.
8. If you end up with the dial chamber upside down, you cannot solve the problem by rotating the bracket. You must rotate the entire gauge 180°.

Rotary Gauges



Fisher® brand rotary gauges can be used on stationary or mobile tanks to visually indicate the amount of LP-Gas in the container. They are also used in filling the tank to the proper liquid level. On mobile applications and some large stationary storage tanks, hangers are recommended to support the horizontal length of the dip tube.

The Gauge is operated by opening the small bleed orifice when the tube is in the vapor space of the tank. Moving the pointer on the dial causes the end of the tube to move until it contacts liquid in the container. At that point, discharge from the bleed orifice turns from vapor to liquid and the rotary gauge dial gives the volume percentage of liquid in the tank.

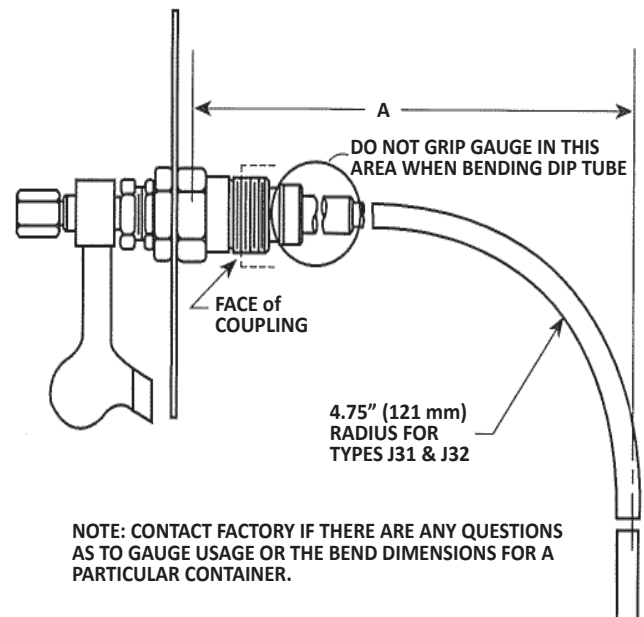
J31 Series - consists of heavy duty gauges that minimize vibration effects (swaying, bouncing) by a long (68-inches) (1,73 meters) stem tube extension. Gauges fit 1-inch (25,4 mm) female coupling container connections.

All gauges have stem and dip tubes with an extra large inside diameter. This assures that the correct liquid level can be obtained quickly. A P323 dial is included with the LP-Gas version.

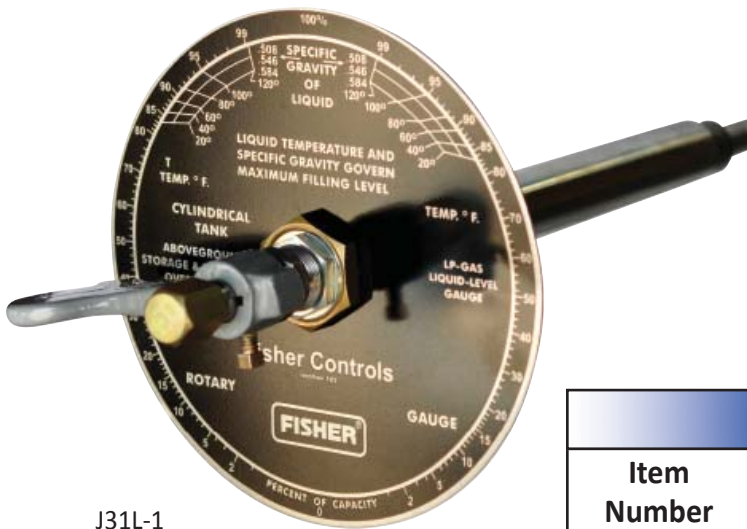
A nylon packing sleeve and a friction ring for the pointer indicator gives smooth rotation and long service life. Steel and stainless steel materials resist rust or corrosion.

LP-Gas Rotary Gauges			
Item Number	Part Number	Length	
		Inches	Millimeters
121120	J31L-1	68	1727
121125	J31L-2	69 - 92	1753 - 2337
121130	J31L-3	93 - 108	2362 - 2743
121135	J31L-3L	109 - 140	2769 - 3556

Each Gauge Must Be Bent Before Installation.



NOTE: CONTACT FACTORY IF THERE ARE ANY QUESTIONS AS TO GAUGE USAGE OR THE BEND DIMENSIONS FOR A PARTICULAR CONTAINER.



J31L-1

Rotary Gauge Parts		
Item Number	Part Number	Description
122915	P322	Under 1200 Gal. Dial
122916	P323	LP Dial
128217	T10971-000A2	Cap & Disc Assy.
128139	T10887-19232	Dial Indicator
128209	T10964-24152	Indicator Set Screw

Shipping Notice:

The J31-1 and J31-2 ship UPS.

The J31-3 and J31-3L will be shipped via motor freight.

The J31-3 if shipped UPS gets an additional oversize charge.

Indicates direction of flow of LP-Gas in piping at working pressures up to 500 psig [34 Bar]. The indicator must be installed in piping tees.

The head, center shaft, support tube, bearings and vane in these indicators are made of 300 Series stainless steel. Magnets are nickel-plated Alnico, and the threaded mounting adapters are forged steel. The hermetically sealed dial has a large 4" dial face capable of showing flow in both directions or the absence of flow. **Note: Torque mounting bolts to 140 to 150 in-lb.**

Flow Indicator Standard Sizes

Item Number	Part Number	Pipe Size	Complete Assembly Includes
130050	5520-2 Complete	2"	5520-2 Flapper, 5520R Dial, 5305 2" Adapter, Screws, Spirotallic Gasket.
130055	5520-2 1/2 Complete *	2 1/2"	5520-2 1/2 Flapper, 5520R Dial, 5305 2" Adapter, Screws, Spirotallic Gasket.
130060	5520-3 Complete **	3"	5520-3 Flapper, 5520R Dial, 5305 2" Adapter, Screws, Spirotallic Gasket.

* Requires a 2 1/2" X 2" Hex Bushing - Sold Separately ** Requires a 3" X 2" Hex Bushing - Sold Separately

Flow Indicator Parts

Item Number	Part Number	Case Quantity
130046	5520R Dial *	1 Pc.
130065	5520-2 Flapper Only	1 Pc.
130070	5520-2 1/2 Flapper Only	1 Pc.
130075	5520-3 Flapper Only	1 Pc.
130131	Sr. Spirotallic Gasket	1 Pc.
403631	SS Cap Screws	1 Pc.
130045	5520T Dial *	1 Pc.
118405	5305 2" MNPT X Sr. Head Adaptor	1 Pc.

* Includes Dial, Bezel, Bracket and Screws.



130050



130046

Replacement Dial Ordering Information



Old Style Head

130045

Bracket mounts on top and is secured by two screws on the side of head.



New Style Head

130046

Bracket mounts on top and is secured with dial screws.



5520-2	L Dimension = 3 13/16"
5520-2 1/2	L Dimension = 5 5/16"
5520-3	L Dimension = 5 15/16"

L Dimension is the distance from gasket surface to the end of the flapper.

Complete with 20' Cable ready to connect to any R3D Remote Ready Dial.

Extendable with 50' Cable Extension Kit.

Easy to read display activated by push button.

Mounting bracket and AAA batteries included.



Will Call Monitor Gauge Parts			
Item Number	Part Number	Description	Case Quantity
136100	3620	Will Call Monitor 3620 w/20' Cable	1 Pc.
136105	00294-50"	50' Cable Extension Kit (not shown)	1 Pc.

The 94442A Stationary Tank Monitor (STM) is used for measuring LPG level in a tank. It can be installed indoors or outdoors at a convenient location that can be up to 1000 feet from the tank. A level sender is also included which must be installed in the float gauge located on the tank. The LPG tank does not have to be emptied or purged to install the sender. Its' universal design fits any gauge that has an R3D dial which allows you to check the LPG level at the tank.

Monitors 2 LPG Tank Levels (Sensor for second tank optional).

State-of-the-art intelligent microprocessor based electronics.

Hi/Lo alarm set points programmable using built-in push buttons.

Analog Output for each channel, 0-5 VDC standard, 4-20 mA optional.

RS232 Serial Interface for direct connection to PC/RTU or PLC.

NEMA 4 enclosure suitable for outdoor use.

One LPG sensor included to fit float gauge with Junior tabbed dial.

Will work with any gauge that has an R3D dial installed.

Large LCD readout indicating Level, Low Set Point and High set Point for each channel.

One Form "C" (NC-C-NO) contact available for each channel. Contact rating 120 VAC @ 3 Amps.

Operates on 12 to 24 VDC power and a 120 VAC wall transformer is included for AC operation.



Stationary Tank Monitor & Cables

Item Number	Part Number	Description	Case Quantity
136619	S T M 94442A	Includes Monitor, R3D Dial w/ Sender, & AC Adapter	1 Pc.
403557	TM-GSU05R	R3D 5' Monitor Cable (not shown)	1 Pc.
136105	00294-50'	50' Cable Extension Kit (not shown)	1 Pc.
136125	SIG420	STM 4-20mA Signal Conditional For R6315-12 (Tank To 136619)	1 Pc.
136130	ISO420-1	STM 4-20mA Signal Isolator For R6315-12 (136619 To PLC)	1 Pc.
136135	STM-48V	STM -48V Power Supply Adapter	1 Pc.

HE-2 Conversion Kit



Old Style STM
Obsolete

The 0-1000 Ohm 2-Wire Sender is obsolete for the old style 136619 (shown at left). If your 0-1000 dial fails you can still use the monitor with the HE-2 Kit upgrade. All you need is the HE-2 Kit and an R3D dial installed in your existing float gauge.



136603 - HE-2 Kit

3 To 2 Wire for
Analog

Gauge Ordering Information



Order by Gauge Code - Stamped on the Head of any Gauge

Simply order Taylor Visible Gauges by the Gauge Code, and an exact duplicate of the gauge from which the code was taken will be delivered. All Junior and Senior Gauges produced since 1964 have the Taylor code stamped on the top of the head. For all Gauges produced since 2008 the sides of the heads are stamped. For other gauges, and pressure vessel gauge needs, see below.



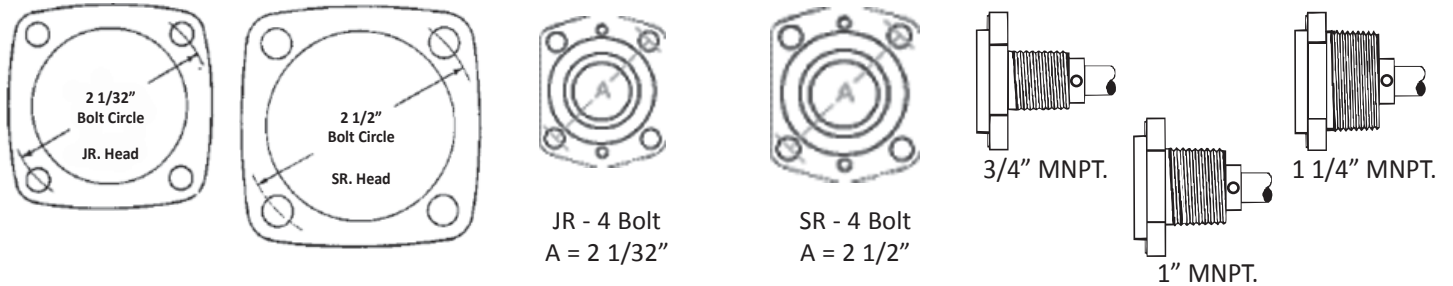
Old Style.

New Style.

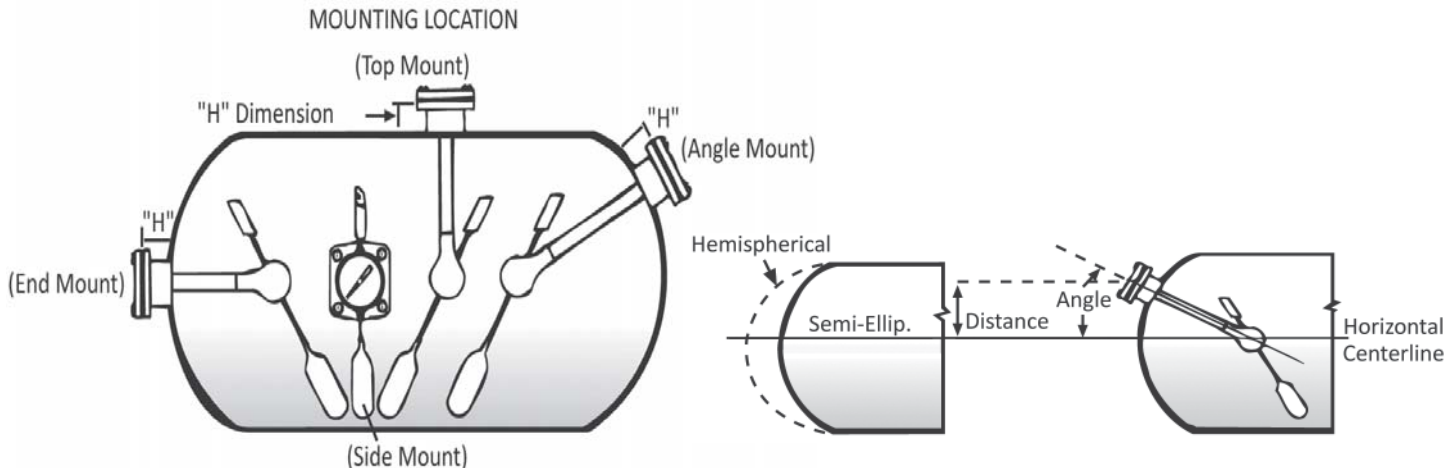
Notes where Gauge Code is located.

IF ABOVE CODE IS NOT AVAILABLE, SPECIFY:

1. TYPE OF SERVICE - LP-Gas or other gas.
2. GAUGE SIZE (or Head Type) - Specify JUNIOR SIZE, SENIOR SIZE, VISIBLE "4", 3/4" THREADED, 1" THREADED, 1 1/4" THREADED, ROADMASTER OR Master Gauge Model (4 Bolt or 8 Bolt).



3. TYPE MOUNTING - Top, Side, End, or Angle (if angle, specify angle above horizontal center line).

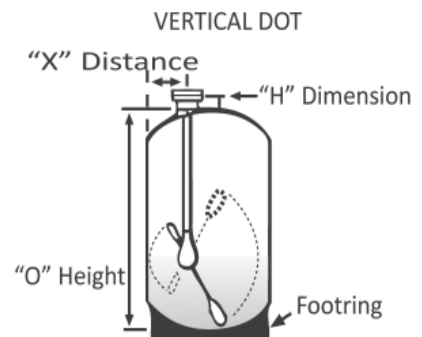


4. GIVE FOLLOWING DIMENSIONS:

- H = Distance from tank surface to gasket surface.
- D = Inside diameter of tank or cylinder.

5. FOR VERTICAL CYLINDERS ONLY:

- X = Distance from center of adaptor to nearest inside wall.
- O = Cylinder height.
- H = Distance from tank surface to gasket surface.



LP Flanged Tanks	
Prefix	Gauge Description
JA	Jr. LP Top Mount
JB	Jr. LP Below Mount
JC	Jr. LP Angle Mount
JD	Jr. LP End Mount
JU	Jr. Universal Mount
SA	Sr. LP Top Mount
SB	Sr. LP Below Mount
SC	Sr. LP Angle Mount
SD	Sr. LP End Mount
VA	Sr. LP Visible "4" Top Mount
VB	Sr. LP Visible "4" Below Mount
VC	Sr. LP Visible "4" Angle Mount
VD	Sr. LP Visible "4" End Mount

LP Threaded Tanks	
Prefix	Gauge Description
HA	1" Brass LP Top Mount
HC	1" Brass LP Angle Mount
HD	1" Brass LP End Mount
TA	1 1/4" Brass Top Mount
TC	1 1/4" Brass Angle Mount
TD	1 1/4" Brass End Mount
TU	1 1/4" Brass Universal Mount
UA	3/4" Brass Top Mount
UD	3/4" Brass End Mount
UU	3/4" Snap-On Universal Mount
UU	3/4" Zinc Universal Mount (Tabbed Dial)

LP Mobile & Storage	
Prefix	Gauge Description
EL	1" Eliminator End Mount
MA	Master LP Top Mount "Obsolete" Use MT
MD	Master LP End Mount "Obsolete" Use ME
ME	Master LP or NH3 End Mount
MT	Master LP or NH3 Top Mount
RM	RoadMaster End Mount

Motor Fuel Tanks	
Suffix	Gauge Description
__A	Recessed (-3/8") Upper 45° Angle Mount With Direct Reading Dial
__AB	Recessed (-3/8") Lower 45° Angle Mount With Direct Reading Dial
__ABC	Recessed (-3/8") Lower 45° Angle Mount With Converta-Visible Dial
__ABN	Non-Recessed (+5/16") Lower 45° Angle Mount With Direct Reading Dial
__ABNC	Non-Recessed (+5/16") Lower 45° Angle Mount With Converta-Visible Dial
__AC	Recessed (-3/8") Upper 45° Angle Mount With Converta-Visible Dial
__AN	Non-Recessed (+5/16") Upper 45° Angle Mount With Direct Reading Dial
__C	End Mount With Direct Reading Dial
__CC	End Mount With Converta-Visible Dial
__L	Recessed (-3/8") Lower 45° Angle Mount With Direct Reading Dial
__LN	Non-Recessed (+5/16") Lower 45° Angle Mount With Converta-Visible Dial
__T	Recessed (-3/8") Top Mount With Direct Reading Dial
__TC	Recessed (-3/8") Top Mount With Converta-Visible Dial
__TN	Non-Recessed (+5/16") Top Mount With Direct Reading Dial



130012 - 2701 CV Dial
 Guide Hole @ 94%
 Percentages 5 - 94
 Above Ground



130009 - 2701 CV Dial
 Guide Hole @ 5%
 Percentages 5 - 94
 Above Ground



130022 - 2701 R3D Dial
 Guide Hole @ 5%
 Percentages 5 - 94
 Above Ground



130023 - 2701 R3D Dial
 Guide Hole @ 30%
 Percentages E-90
 Above Ground



130021 - 2701 R3D Dial
 Jr. Tabbed
 Percentages 5 - 94
 Above Ground



130082 - 2701 R3D Dial
 Jr. Tabbed
 Percentages 5 - 94
 Above Ground



130037 - 2201 Dial
 Sr. Tabbed
 Percentages 5 - 94
 Above Ground



403594 - 2701 R3D Dial
 Sr. Tabbed
 Percentages 5 - 94
 Above Ground



136000 - CV50 Dial
 Guide Hole @ LP
 Fractional E-3/4
 Motor Fuel



136005 - CV50
Jr. Tabbed
Fractional E-3/4
Motor Fuel



130043 - E - F Dial
Jr. Tabbed
Fractional E - F
Lift Truck



130031 - 2713 CV Dial 33 1/2#
Guide Hole @ 45%
Percentages 10 - 45
Lift Truck



130013 - 2733U CV Dial 33 1/2#
Guide Hole @ 7%
H = 13-40% V = 7-20%
Lift Truck



130033 - 7533U CV Dial 33 1/2#
Guide Hole @ 13%
V = 5-20% H = 13-40%
Lift Truck



130081 - 2733U Dial 33 1/2#
Jr. Tabbed
V = 7-20% H = 13-40%
Lift Truck



403582 - 33 1/2# Dial
Snap-On
V = 7-20% H = 13-40%
Lift Truck



130042 - 2766 CV Dial 40#
Guide Hole @ 60%
Percentages 5 - 60
Lift Truck



130017 - 2710 CV Dial 43 1/2#
Guide Hole @ 35%
Percentages 8-35
Lift Truck



130004 - 2743U CV Dial 43 1/2#
 Guide Hole @ 5%
 V = 13-40% H = 5-15%
 Lift Truck



130048 - 2743U 43 1/2# Dial
 Jr. Tabbed
 V = 13-40% H = 5-15%
 Lift Truck



130051 - 43 1/2# Dial
 Jr. Tabbed
 V = 7-17% H = 13-40%
 Lift Truck



130006 - 2722 CV Dial
 Guide Hole @ 85%
 Percentages 5 - 85
 200# Vertical



130007 - 2722 CV Dial
 Guide Hole @ 5%
 Percentages 5 - 85
 200# Vertical



130039 - 2722 R3D Dial
 Guide Hole @ 5%
 Percentages 5 - 85
 200# Vertical



130038 - 2722 R3D Dial
 Jr. Tabbed
 Percentages 5 - 85
 200# Vertical



130014 - 2765 CV Dial
 Guide Hole @ 80%
 Percentages 10 - 80
 420# Vertical



132765 - 2765 R3D Dial
 Guide Hole @ 15%
 Percentages 10 - 80
 420# Vertical



**130084 - 2765 R3D Dial
Jr. Tabbed
Percentages 10 - 80
420# Vertical**



**130019 - 2721 CV Dial
Guide Hole @ 12%
Percentages 12 - 85
420# Vertical**



**130008 - 2746 CV Dial
Guide Hole @ 10%
Percentages 8 - 68
Vertical**



**130011 - 2700 CV Dial
Guide Hole @ 94%
Percentages 5 - 94
Under Ground**



**130026 - 2700 CV Dial
Guide Hole @ 5%
Percentages 5 - 94
Under Ground**



**130024 - 2700 R3D Dial
Guide Hole @ 5%
Percentages 5 - 94
Under Ground**



**130028 - 2700 R3D Dial
Guide Hole @ 30%
Percentages
Under Ground**



**130083 - 2700 R3D Dial
Jr. Tabbed
Percentages 5 - 94
Under Ground**



**130005 - 2201 Dial
Jr. Universal
Percentages 5-94
Glue-On Replacement**



130010 - 2201 Dial
Sr. Universal
 Percentages 5 - 94
 Glue-On Replacement



136610 - Direct Read Dial
 Fits any Old Style Taylor Gauge
 Fits any Jr. Tabbed Gauge
 Percentages 5 - 95



130020 - 5511T Dial
 Mounts on Old Style Head
 LP Only
 Visible 4"



130085 - 5511R Dial
 Mounts on New Style Head
 LP Only
 Visible 4"



130087 - 2778R
 Mounts on New Style Head
 LP or NH3
 Visible 4"



130045 - 5520T
 Mounts on Old Style Head
 Flow Indicator
 Visible 4"



130046 - 5520R
 Mounts on New Style Head
 Flow Indicator
 Visible 4"



131839 - RoadMaster Dial
 Mounts to RoadMaster
 LP or NH3
 Visible 4"



131820 - RoadMaster R3D Dial
 Mounts to RoadMaster
 LP or NH3
 Visible 4"



131821 - RoadMaster Dial
Mounts to RoadMaster
LP or NH3
Visible 4" Fluorescent



131822 - RoadMaster R3D Dial
Mounts to RoadMaster
LP or NH3
Visible 4" Fluorescent



130035 - Master Dial
Mounts to 2 Bracket Heads
LP or NH3
8" Master



130090 - Master Dial
Mounts to 3 Bracket Heads
LP or NH3
8" Master



130036 - 4102 Master Dial
Mounts to 2 Bracket Heads
LP Only
8" Master



130091 - 4102 Master Dial
Mounts to 3 Bracket Heads
LP Only
8" Master



130078 - R3D Master Dial
Mounts to 2 Bracket Heads
LP or NH3
8" R3D Master



130034 - R3D Master Dial
Mounts to 3 Bracket Heads
LP or NH3
8" R3D Master



130088 - Master Dial
Mounts to 2 Bracket Heads
LP or NH3
8" Fluorescent Master



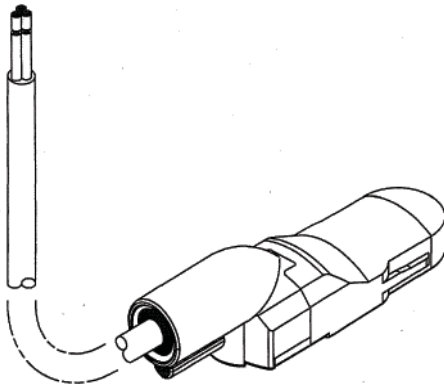
130089 - Master Dial
Mounts to 3 Bracket Heads
LP or NH3
8" Fluorescent Master



130094 - R3D Master Dial
Mounts to 2 Bracket Heads
LP or NH3
8" Fluorescent Master



130099 - R3D Master Dial
Mounts to 3 Bracket Heads
LP or NH3
8" Fluorescent Master



130076
Master R3D Sender & Cable
For Master R3D Dials
For RoadMaster R3D Dials



136120 - R6315-12
4-20 mA Liquid-Level Transmitter
Comes with mounting studs and spacers for dial
For RoadMaster & Master Dials (2 & 3 Bracket)



Visible "2" Dials

The Visible "2" dials come in a variety of styles and sizes. The Direct Read dials are available in Drop-In, Jr. Tabbed, Sr. Tabbed, and Glue-On Replacement (Jr. & Sr.). The R3D Dials are Hall Effect compatible and are available in Drop-In, Jr. Tabbed and Sr. Tabbed.

Note: The Drop-In dials fit Jr. & Sr. Old Style heads and have locating tabs on the back of the dial that position the dial in the head of the gauge. Glue-On Replacement dials will work with any Jr. or Sr. gauge ever built.



Drop-In



Style A

The large hole on the back lines up with the 94% mark on the front of the dial.



R3D Drop-In



Style B

The large hole on the back lines up with the 5% mark on the front of the dial.



Jr. Tabbed



Sr. Tabbed



R3D Jr. Tabbed



R3D Sr. Tabbed



Jr. Glue-On



Sr. Glue-On



Jr. Glue-On



Sr. Glue-On



Old Style Jr.



Old Style Sr.



New Style Jr.



New Style Sr.

Visible "4" Dials

The Visible "4" dials come in two styles. If you have the Old Style Head then you need a dial with the "T" suffix. If you have the New Style Head then you need a dial with the "R" suffix.



"T" Old Style Head



The following dials are available for the Old Style Head.
5520T, 5511T, and 5553T



"R" New Style Head



The following dials are available for the New Style Head.
5520R, 5511R, 5553R, and 2778R

Master Dials

The Master dials come in two styles. If you have the Old Style Head with 2 brackets then you need a dial with the "T" suffix. If you have the New Style Head with 3 brackets then you need a dial with the "R" suffix.



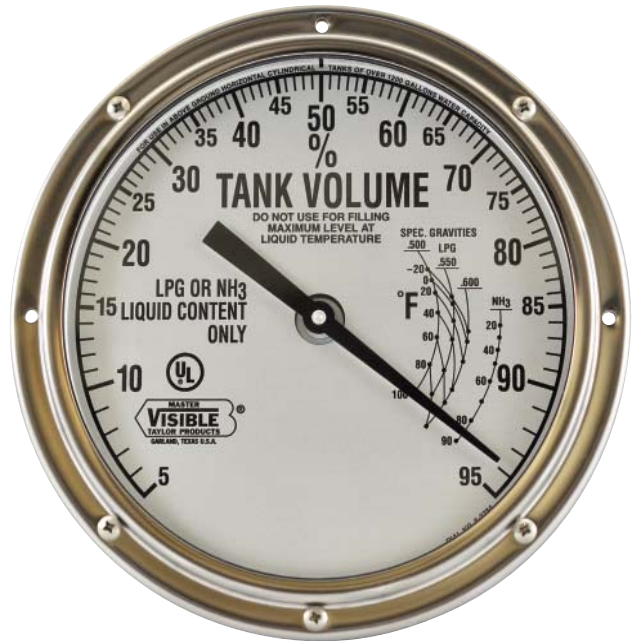
"T" Old Style Head



The following dials are available for the Old Style Head.
4102T, 4607T, and Combo"T"
130036, 130030, and 130035



"R" New Style Head



The following dials are available for the New Style Head.
4102R, 4607R, and Combo"R"
130091, 130092, and 130090

Jr. & Sr. Glue-On Dial Instructions *

1. Determine dial orientation.
2. Break out lens, remove pointer, and bend over stem.
3. Glue on the new dial.



1. Before Installation



2. Ready To Glue



3. After Installation

* Refer to Dial Kit Instruction Sheet For Complete Instructions, Warnings and Cautions.

Visible "4" Instructions

These Instructions are for the following dials - 5520T, 5511T, and 5553T.

These dials come from the factory pre-assembled and are attached by placing the dial and bracket assembly over the head and tightening the two screws (Figure 1) to clamp the dial to the gauge head (Figure 2).



Complete Dial Assembly
Front View



Complete Dial Assembly
Back View

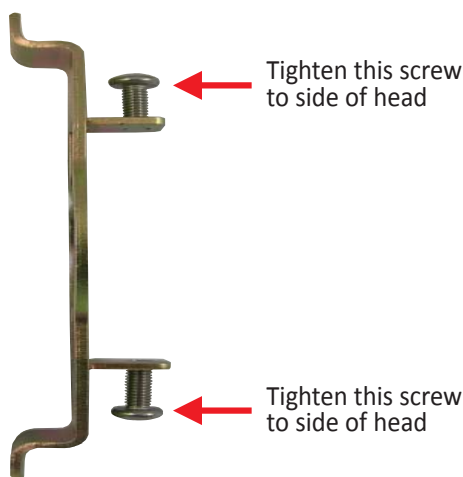


Figure 1



Figure 2



Figure 3

Visible "4" Instructions

These Instructions are for the following dials - 2778R, 5520R, 5511R , and 5553R.

These dials will come from the factory pre-assembled and need to be disassembled prior to installation.

1. Remove the two screws that attach the bezel (Figure 1) to the bracket. This will allow the bezel and dial to be removed from the bracket assembly.
2. Use the two small screws that are in the bracket to attach the bracket to the gauge head (Figure 2). NOTE the orientation of the notch that must be at the "3 O'clock position".
3. After the bracket is attached to the dial head, push the dial into the bracket and attach the bezel with the two screws that you originally removed (Figure 3).



Complete Dial Assembly
Front View



Complete Dial Assembly
Back View



Figure 1

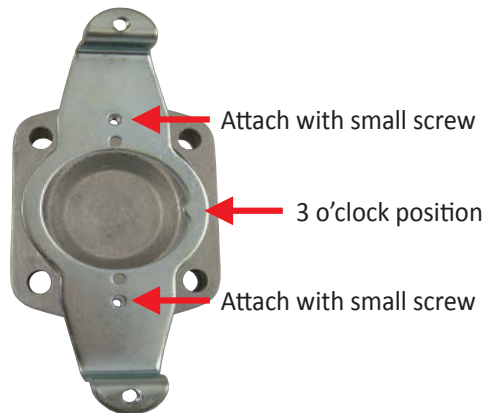


Figure 2



Figure 3

New Style 3 Bracket Master Instructions

1. Remove dial screws from brackets on the gauge head.
2. Match the 3 holes on the dial up with 3 brackets.
3. Replace the 3 screws that you removed in step 1 and tighten them down.



Old Style 2-Bracket Master Instructions

These dials will come from the factory pre-assembled and need to be disassembled prior to installation.

1. Remove the four screws and nuts that attach the brackets (Figure 1) to the dial. This will allow the brackets to be installed on the gauge head.
2. Use the two small screws that are in the bracket to attach the brackets to the gauge head (Figure 2).
3. After the brackets are attached to the gauge head, make sure that the 50% mark on the dial and top on the head matches up and attach the dial to brackets with the 4 screws and nuts that you originally removed (Figure 3).

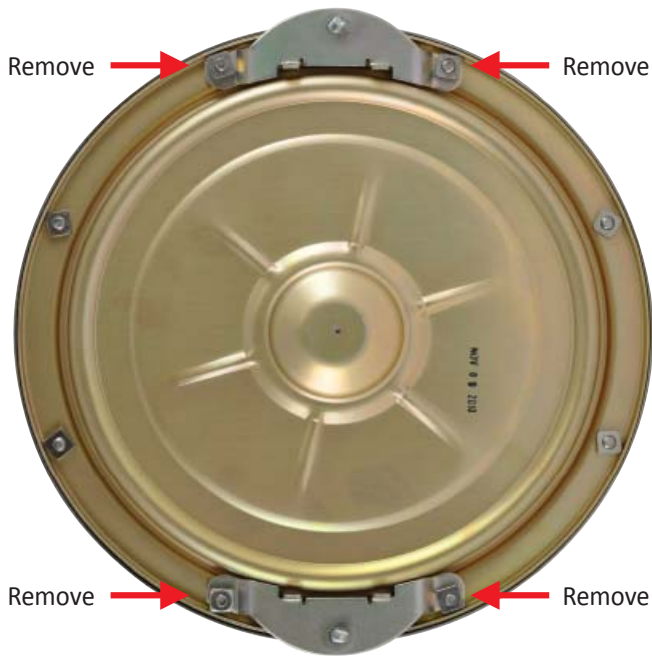


Figure 1



Figure 2



Figure 3

Section D Index	
• Acme Gaskets & Parts	87
• Brass Acme Adaptor Caps	88
• Brass Female Acme Caps	92
• Brass Female Acme Filler Couplings	90
• Brass Female Acme Vapor Couplings	91
• Brass Male Acme X FNPT Adaptors	87
• Brass Male Acme X Male Acme Adaptors	88
• Brass Male Acme X MNPT Adaptors	88
• Chain Reference Chart	93
• Metal Acme Plugs	93
• Plastic Acme Caps	92
• Plastic Acme Plugs	93
• POL Adaptors	94
• POL Filler Couplings	94
• QCC Adaptors	95
• QCC Connectors	95
• QCC Evacuation Fitting	95
• QCC Filler Couplings	95
• Retro Q Adaptor	95
• Rings & Chains	93
• Safe-T-Locks	94
• Steel Acme Adaptor Caps	89
• Steel Female Acme Caps	92
• Steel Female Acme Vapor Couplings	91
• Steel Filler Couplings	90
• Steel Male Acme X FNPT Adaptors	89
• Steel Male Acme X Male Acme Adaptors	89
• Steel Male Acme X MNPT Adaptors	89

Brass Male Acme X FNPT Adaptors

MEC Brass		Fisher Brass		Male Acme Connection	Female NPT Connection
Item Number	Part Number	Item Number	Part Number		
150560	ME498-4/2	121995	M498-4/2	1 1/4"	1/4"
150562	ME498-6/3	121996	M498-6/3		3/8"
150524	ME192	121725	M192		1/2"
150526	ME193	121730	M193		3/4"
150270	ME210	----	----	1 3/4"	1/4"
150528	ME211	121740	M211		3/8"
150530	ME212	----	----		1/2"
150532	ME213	----	----		3/4"
150534	ME214	----	----	2 1/4"	1"
150564	ME502-12/8	----	----		1 1/4"
150566	ME502-16/10	----	----		1 1/2"
150568	ME502-16/12	----	----	3 1/4"	1 1/4"
150546	ME250	----	----		2"
150525	ME250A *	----	----		3"
150548	ME252-16 *	----	----		
150529	ME252A-16 *	----	----		
150531	ME508-24	----	----		
150563	ME508A-24 *	----	----		

* Includes strainer screen installed.



ME498-6/3



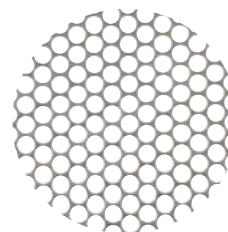
ME252-16



ME250A

Acme Gaskets & Parts

Item Number	Part Number	Part Description
126663	1E8122	1 1/4" Acme Gasket
119337	ST-1102A-16	1 3/4" Acme Gasket
126670	ST-1E8126	2 1/4" Acme Gasket
126673	ST-1E8128	3 1/4" Acme Gasket
150588	ME251-02	3 1/4" Acme Strainer Screen
150589	ME251-03	Retaining Ring For ME251-03



ME251-02



ME251-03

Brass Acme Adaptors & Caps



Brass Male Acme X MNPT Adaptors					
MEC Brass		Fisher Brass		Male Acme Connection	Male NPT Connection
Item Number	Part Number	Item Number	Part Number		
150560	ME498-4/2	121995	M498-4/2	1 1/4"	1/2"
150562	ME498-6/3	121996	M498-6/3		3/4"
150536	ME215	----	----	1 3/4"	3/4"
150538	ME216	----	----		1"
150540	ME217	----	----		1 1/4"
150537	ME217A *	----	----		1 1/4"
150570	ME503-16	----	----	3 1/4"	2"
150569	ME503A-16 *	----	----		2"
150549	ME262	----	----		3"
150535	ME262A *	----	----		3"

* Includes strainer screen installed.



ME215



ME503-16



ME503-16A



ME612

Brass Acme Adaptor Caps					
MEC Brass		Fisher Brass		Female Acme Connection	Male Acme Connection
Item Number	Part Number	Item Number	Part Number		
150572	ME611	122115	M611	2 1/4"	1 3/4"
150574	ME612	122120	M612	3 1/4"	
----	----	122125	M613	4 1/4"	3 1/4"

Brass Male Acme X Male Acme Adaptors			
MEC Brass		Male Acme Connection	Male Acme Connection
Item Number	Part Number		
150550	ME270	1 1/4"	1 1/4"
150552	ME273	1 3/4"	1 3/4"
150545	ME277	3 1/4"	3 1/4"



ME277

Steel Male Acme X MNPT

Item Number	Part Number	Male Acme Connection	MNPT Connection	Acme Gasket	
				Item Number	Part Number
122031	ME520S-8	1 1/4"	1"	126663	1E8122
111415	A2000	1 3/4"	1/2"	119337	ST-1102A-16
111420	A2001S		3/4"		
111425	A2002		1"		
111431	A2003S		1 1/4"		
111569	A2076		1 1/2"		
111546	A2063S	3 1/4"	2"	126673	ST-1E8128
111556	A2065S	3"			



A2077

Steel Male Acme X Male Acme

Item Number	Part Number	Male Acme Connection	Male Acme Connection	Acme Gasket	
				Item Number	Part Number
111436	A2005S	1 3/4"	1 3/4"	119337	ST-1102A-16
111446	A2007S	2 1/4"	2 1/4"	126670	ST-1E8126
122107	ST-M536-26	3 1/4"	3 1/4"	126673	ST-1E8128



A2005S

Steel Male Acme X FNPT

Item Number	Part Number	Male Acme Connection	FNPT Connection	Acme Gasket	
				Item Number	Part Number
150571	ST-M526-6	1 3/4"	3/4"	119337	ST-1102A-16
111466	A2013S		1"		
111561	A2074S	3 1/4"	2"	126673	ST-1E8128
111566	A2075S		3"		



A2074S

Steel Adaptor Caps

Item Number	Part Number	Male Acme Connection	Female Acme Connection	Acme Gasket	
				Item Number	Part Number
150573	ST-M611S	1 3/4"	2 1/4"	119337	ST-1102A-16
122131	ST-M622		3 1/4"		
122135	M623	3 1/4"	4 1/4"	126673	ST-1E8128



ST-M622

Filler Couplings



Brass Female Acme Filler Couplings							
MEC Brass		Fisher Brass		Coupling Type	Female Acme	Inlet Connection	Length
Item Number	Part Number	Item Number	Part Number				
150500	ME100	121600	M100	Type A	1 1/4"	3/8" MNPT	3"
150502	ME101	121605	M101			1/2" MNPT	2 1/2"
150504	ME110	121630	M110		1 3/4"	1/2" MNPT	3"
150506	ME111	121635	M111			3/4" MNPT	
150508	ME112	121640	M112			1" MNPT	
150510	ME120	121660	M120	Type B	2 1/4"	1 1/4" MNPT	3 1/4"
150512	ME130 *	121670	M130 *		3 1/4"	2" MNPT	3 3/4"
150515	ME130A Includes Screen *					2" MNPT	
150513	ME130WR Includes Retaining Ring *					2" MNPT	
-----	-----	122190	M664-24		4 1/4"	3" MNPT	4 1/2"
150558	ME442	121970	M442	Type C	3 1/4"	1 1/4" FNPT	1 1/2"

* Steel Nipple.



150504



150512



With Ring



With Strainer

Steel Filler Couplings					
Item Number	Part Number	Coupling Type	Female Acme	Inlet Connection	Length
110665	A1149F	Type A	1 3/4"	1/2" MNPT	3 1/8"
110670	A1150F			3/4" MNPT	
110675	A1151F			1" MNPT	
110683	A1156FS	Type B	2 1/4"	1 1/4" MNPT	3 1/4"
110686	A1157FS		3 1/4"	2" MNPT	3 11/16"
122155	M634-24		4 1/4"	3" FNPT	2"
110641	A1130FS	Type C	1 3/4"	3/4" MNPT	
110645	A1131F			1" MNPT	
110650	A1132F		2 1/4"	1 1/4" MNPT	
110651	A1133F			1 1/2" MNPT	
150730	ME442S	Type D	3 1/4"	1 1/4" FNPT	1 1/2"



110675



110686



110645

Brass Female Acme Vapor Couplings

MEC Brass		Fisher Brass		Coupling Type	Female Acme	Inlet Connection	Length
Item Number	Part Number	Item Number	Part Number				
150514	ME140	121680	M140	Type A	1 1/4"	3/8" MNPT	2 1/2"
150516	ME141	121685	M141	Type A		1/2" MNPT	3"
150518	ME150	121690	M150	Type B	1 3/4"	3/4" MNPT	3 1/4"
150520	ME151	121695	M151			1" MNPT	
----	----	121700	M160	Type C	2 1/4"	1 1/4" MNPT	3 3/8"



ME140



M160

Steel Female Acme Vapor Couplings

Item Number	Part Number	Coupling Type	Female Acme Connection	Inlet Connection	Length
122171	ME141S	Type A	1 1/4"	1/2" MNPT	2 1/2"
122181	ST-M646-6	Type B	1 3/4"	3/4" MNPT	7"
122176	ST-M641-8	Type A		1" MNPT	3 1/4"
150522	ST-M160S		Type A	2 1/4"	1 1/4" MNPT
122186	ST-M646-8	Type C	1 3/4"	1" MNPT	7 3/8"



ME151S



ME646-8

Brass Female Acme Caps				
Female Acme	MEC Brass		Fisher Brass	
	Item Number	Part Number	Item Number	Part Number
1 3/4"	150542	ME229	121783	M229
	150544	ME229-1 *	121784	M229-1 *
	150539	ME229F	-----	-----
2 1/4"	150554	ME431F	121955	M431
3 1/4"	150556	ME441F	121965	M441
4 1/4"	-----	-----	122112	M605-34

* Includes Ring & Chain.



ME229



ME229-1



ME229F



ME441F

Steel & Plastic Female Acme Caps				
Female Acme	Steel		Plastic (LP-Gas Use Only)	
	Item Number	Part Number	Item Number	Part Number
1 1/4"	-----	-----	121620	M108
1 3/4"	110680	A1152C *	121625	M109
	-----	-----	150507	ST-M109-1 *
2 1/4"	150719	ME229FS	-----	-----
	110696	A1175CS *	111586	ST-1177C *
3 1/4"	110701	A1176CS *	121627	ST-M106-1 *
4 1/4"	122140	M625-34	-----	-----

* Includes Ring & Chain.



ME109-1



A1152C



A1176CS



M108



ME229FS

Plastic Acme Plugs				
MEC		Fisher		Female Acme
Item Number	Part Number	Item Number	Part Number	
121706	ST-M178-1 *	121705	M178	1 1/4"
121711	ST-M179-1 *	121710	M179	1 3/4"
121716	ST-M180-1 *	121715	M180	2 1/4"
121721	ST-M181	121720	M181	3 1/4"

* Includes ring & chain.



ME180-1



ME181



ME239

Metal Acme Plugs			
Item Number	Part Number	Female Acme	Material
121792	ST-M239	1 3/4"	Aluminum
121722	ME181B-1 *	3 1/4"	Brass
122095	M535-34	4 1/4"	Steel

* Includes ring & chain.

Ring & Chains			
MEC		Fisher	
Item Number	Part Number	Item Number	Part Number
-----	-----	122675	P147
153556	MEP148	122680	P148
150553	ST-P167	122695	P167
-----	-----	122745	P183

P147 fits 3/4" pipe size & P148 fits 1 1/4" pipe size.



P147



P167

Chain Reference Chart			
Part Number	Cap or Plug Size	Fits These Caps	Fits These Plugs
P147	1 1/4" Acme	M108	M178
	1 3/4" Acme	M109, M219, & M229	-----
P148		M109	M179
	2 1/4" Acme	-----	M180
P167		M431, M432, & A1175CS	-----
P183	3 1/4" Acme	-----	M181
P167		M441, M443, & A1176CS	-----
		4 1/4" Acme	M605-34, M625-34, & M535-34

POL Filler Couplings			
Item Number	Part Number	Inlet Connection	Outlet Connection
150258	ME388	1/4" MNPT	Male Soft Nose POL
150260	ME390		
150259	ME390S *		

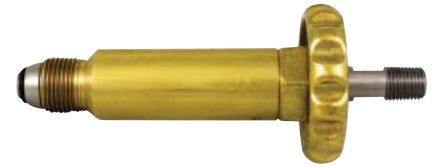
* Stem is Stainless Steel.



ME388



ME390



ME390S

POL Adaptors			
Item Number	Part Number	Inlet Connection	Outlet Connection
150261	ME392	Female POL	Female QCC
150251	ME394	QCC / Female POL	1 1/4" Female Acme
330210	PA901H	Female POL	1 3/4" Female Acme
150585	ME568		



ME392



ME394



ME568



PA901H

Safe-T-Locks			
Item Number	Part Number	Fits	Includes
404438	ME530	Male Soft Nose POL	1 Lock & Plug
404442	ME531-50	1/2" FNPT	1 Lock & Cap
404445	ME531-75	3/4" FNPT	
404447	ME532-38	3/8" Male Flare	1 Lock & Plug
404450	ME532-50	1/2" Male Flare	1 Lock & Cap
404452	ME533	1 3/4" Female Acme	
404454	ME530PL	Male Soft Nose POL	1 Lock & Plug
404439	ME530-03	Key For Safe-T-Locks	



ME533



ME530PL
Lock Not Included



ME533-03



ME530



ME531 Series



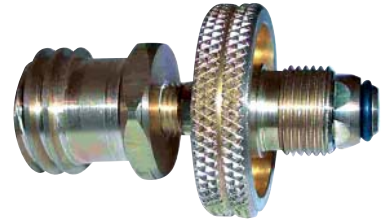
ME532 Series



QCC Filler Coupling & Adaptors			
Item Number	Part Number	Inlet Connection	Outlet Connection
150600	ME516	1/4" MNPT	Female QCC
150261	ME392	Female POL	Female QCC
150262	ME393	Male POL	Male QCC / Female POL
150263	ME393-1	1/4" FNPT	
150253	ME399	1/4" MNPT	



ME516



ME393



ME392



ME399



ME393-1



ME398

Retro Q Adaptor				
Item Number	Part Number	Inlet Connection	Outlet Connection	Flow
405089	G-1899P	Soft Nose POL	Male QCC	Full Flow
150257	ME398			Quick Closing



G-1899P

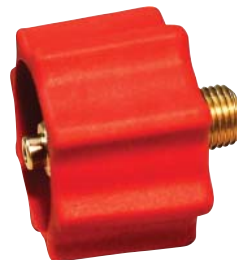
Type I QCC Connectors					
Item Number	Part Number	Inlet Connection	Outlet Connection	Flow	Color
405087	ME517	Female QCC	1/4" MNPT	50 SCFH Air / 100,000 BTUH	Black
150608	ME518			100 SCFH Air / 200,000 BTUH	Green
150603	ME519			200 SCFH Air / 400,000 BTUH	Red
Type I QCC Evacuation Fitting					
405088	ME517EV	Female QCC	Pipe	Full Flow	Black



ME517



ME518



ME519



ME517EV

Section E Index	
• 1"-20 w/Hose Barb	101
• 2-Bolt Clamp Hose Couplings	100
• Band-It® Hose Clamps	102
• Band-It® Tool	102
• Brass Hose Nipples High Pressure	103
• Brass Hose Nipples Low Pressure	103
• High Pressure Gas Connections	101
• Hose Buddy	103
• L83 Goodall Hose	98
• L83 Hose Assemblies	98
• POL w/Hose Barb	101
• Pro-Tec-To-Wrap	98
• QCC w/ Hose Barb	101
• Reusable Hose Couplings	100
• Steel Hose Nipples	102
• Swivel Hose Unions	100
• Vapor Hose	97
• Vapor Hose Assemblies	97
• Wetline Assembly	104
• Wire-Braided Hose	99
• Wire-Braided Hose Couplings	99

Vapor Hose					
Item Number	Part Number	Hose Size	Hose Type	Hose Color	Reel Length
182101	7132-25354	1/4"	High Pressure	Black	750'
183111	7122-38200	3/8"	Low Pressure	Red	700'
182202	7170-38354			Black	600'
182200	7132-38354		High Pressure		



7122-38200



7132-.25354

Vapor Hose Assemblies					
Hose Size & Ends		Length	Item Number	Length	Item Number
3/8" Red Low Pressure Hose	3/8" Female Swivels on Each End	12"	183140	84"	183183
		18"	183146	96"	183184
		24"	183147	108"	183187
		30"	183156	120"	183185
		36"	183161	144"	183186
		48"	183171	180"	183197
		60"	183181	240"	183188
		72"	183182	300"	183141
5/16" Black High Pressure Hose	3/8" Female Swivels on Each End	12"	183200	96"	183213
		24"	183202	120"	183214
		36"	183204	144"	183216
		48"	183206	180"	183218
		60"	183208	300"	183219
		72"	183210	600"	183220
		84"	183212	1200"	183222



182140

LP-Gas Hose & Pro-Tec-To Wrap



L83 Goodall Hose			
Item Number	Hose Size	Part Description	Hose Length
182123	1/2"	High Pressure 350 PSI LP-Gas Hose	Cut to Order
182124	3/4"		
182847	1"		
182848	1 1/4"		
182750	1 1/2"		
182850	2"		

L83 Hose Assemblies			
Item Number	L83 Goodall Hose Size	MNPT Ends	Hose Length (OAL)
182812	1/2"	1/2"	10'
182806			12'
182817			50'
182135			100'
182804	3/4"	3/4"	10'
182803			12'
182133	1"	1"	50'
182125			100'
182128			125'
182130			150'
182151	1 1/4"	1 1/4"	18'
182152	2"	2"	



182803

These hose assemblies are hydrostatically tested & come with certifications.

Pro-Tec-To Wrap					
Item Number	Part Number	Hose Size	Color	Case Quantity	Part Description
750520	HG-PL-93050	1/2"	Black	100'	Wraps around hose to protect from abrasive ground surfaces. Easily transferable from hose to hose.
750523	HG-PL-93075	3/4"	Yellow	100'	
750524	HG-PL-93100	1"	Blue	100'	
750525	HG-PL-93200	2"	Black	50'	

Colors May Vary.



Parker Wire-Braided Hose		
Item Number	Part Number	Hose ID
750556	SS25UL-4	3/16"
750561	SS25UL-6	5/16"
750565	SS25UL-8	13/32"
750566	SS25UL-10	1/2"

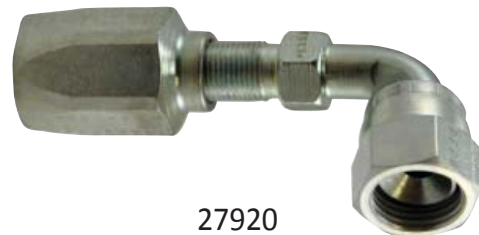


SS25UL

Wire-Braided Hose Couplings				
Item Number	Part Number	Hose ID	Connection	Description
750576	20820-4-4	3/16"	1/4"	Female Flare
750580	20820-6-6	5/16"	3/8"	
750589	20820-8-8	13/32"	1/2"	
750591	20820-10-10	1/2"	5/8"	
750584	20820-12-12	3/4"	3/4"	
750593	27920-4-4	3/16"	1/4"	Female Flare 90°
750587	27920-6-6	5/16"	3/8"	
750590	27920-8-8	13/32"	1/2"	
750586	27720-6-6	5/16"	3/8"	Female Flare 45°
750579	20120-4-4	3/16"	1/4"	Male NPT
750582	20120-4-6		3/8"	
750585	20120-6-6		13/32"	



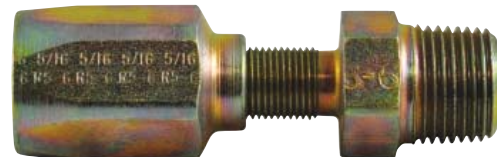
20820



27920



27720



20120

Hose Couplings & Swivel Unions



Reusable Hose Couplings				
Item Number	Part Number	Coupling Type	Outlet Size	Hose Barb
117284	100-1/2	Standard (Type A)	1/2" MNPT	1/2"
117290	100-3/4		3/4" MNPT	3/4"
117296	100-1		1" MNPT	1"
117308	101	Swivel Type (Type B)	1 3/4" Female Acme	1/2"
117310	102			3/4"
117316	103			1"



Type A



Type B

2-Bolt Clamp Hose Couplings				
Item Number	Part Number	Coupling Type	Outlet Size	Hose Barb
122196	ST-M3162-08	Clamp Type A Standard Outlet	1/2" MNPT	1/2"
122201	ST-M3162-12		3/4" MNPT	3/4"
122206	ST-M3162-16		1" MNPT	1"
117312	A221S		1 1/4" MNPT	1 1/4"
122211	ST-M3162-20		1 1/2" MNPT	1 1/2"
122216	ST-M3162-24		2" MNPT	2"
122221	ST-M3162-32		3" MNPT	3"
122225	M3162-48			
122230	ST-M3162-12S	Clamp Type B Swivel Nut Outlet	1 3/4" F.. Acme	3/4"
122212	ST-M3162-2018S		2 1/4" F.. Acme	1 1/4"
122213	ST-M3162-2020S		3 1/4" F.. Acme	2"
122236	ST-M3162-32B		4 1/4" F.. Acme	3"
122241	ST-M3162-32S			
122245	M3162-48S			



Type A



Type B



Type B

Swivel Hose Unions			
Item Number	Part Number	Pipe Thread	Pipe Swivel
230151	2045-08-08S	1/2" MNPT	1/2" FNPT
230154	2046-08-08S	1/2" FNPT	
230152	2045-12-12S	3/4" MNPT	3/4" FNPT
230155	2046-12-12S	3/4" FNPT	
230153	2045-16-16S	1" MNPT	1" FNPT
230161	2046-16-16S	1" FNPT	
230157	2045-20-20S	1 1/4" MNPT	1 1/4" FNPT
230156	2046-20-20S	1 1/4" FNPT	
230263	2045-24-24S	1 1/2" MNPT	1 1/2" FNPT
230261	2046-24-24S	1 1/2" FNPT	
230158	2045-32-32S	2" MNPT	2" FNPT
230199	2046-32-32S	2" FNPT	



2045-16-16S



2046-16-16S

POL w/Hose Barb			
Item Number	Part Number	Hose Barb	Outlet Connection
121910	ME5930	1/4"	Male POL
405076	ME1656		Male POL w/Plastic Handwheel
405083	ME1656AR		Male POL w/ Round Handwheel
405071	ME1655-78N		Male POL w/.9 GPM Excess Flow



ME5930



ME1656



ME1656AR



ME1655-78N

QCC Connector w/Hose Barb						
Item Number	Part Number	Hose Barb	Outlet Connection	Flow Capacity	Handwheel Color	Thermal Protection
150604	ME518-25H	1/4"	1 5/16" Female Acme QCC	100 SCFH Air / 200,000 BTUH	Green	Yes
150660	ME519-25H			200 SCFH Air / 400,000 BTUH	Red	
150662	ME518-38H	3/8"	1 5/16" Female Acme QCC	100 SCFH Air / 200,000 BTUH	Green	
150665	ME519-38H			200 SCFH Air / 400,000 BTUH	Red	



ME518-25H



ME484



ME496

1"-20 w/Hose Barb			
Item Number	Part Number	Inlet	Outlet
150606	ME484	1"-20 Female	1/4" Hose Barb
405106	ME496	1/4" Hose Barb	1"-20 Male Swivel w/Valve Stem & O-Ring

High Pressure Gas Connection			
Item Number	Part Number	Hose Barb	Outlet Connection
405040	ME23C	1/4"	9/16"-18 Female
405045	ME23E	3/8"	Left Hand



ME23C

Band-It® Tool		
Item Number	Part Number	Part Description
230120	C00169	For Use on Widths of 3/16" to 3/4"



C00169

Band-It® Hose Clamps				
Clamp I.D.	Carbon Steel		Stainless Steel	
	Item Number	Part Number	Item Number	Part Number
13/16"	230123	J301	230234	JS201 *
13/16"	-----	-----	230258	JS240 *
1 3/8"	230124	J302	230236	JS202
1"	230125	J303	230238	JS203
1 1/4"	230126	J304	230240	JS204
1 1/2"	230127	J305	230242	JS205
1 3/4"	230128	J306	230244	JS206
2"	230129	J307	230246	JS207
2 1/4"	230130	J308	-----	-----
2 1/2"	230131	J309	230248	JS209
3"	230133	J311	230252	JS211



J301 Series

* Most Common. Other Sizes Available.

Steel Hose Nipples			
Item Number	Part Number	Hose Barb	MNPT
230134	E006	1/4"	1/4"
111513	A6132	3/8"	1/8"
230135	E010	3/8"	1/4"
111510	A2046S		3/8"
230136	E012		3/8"
111512	A1138	1/2"	1/4"
230137	E022		1/2"
230190	E034	3/4"	3/4"
230139	E040	1"	1"
230140	E044	1 1/4"	1 1/4"
230141	E046	1 1/2"	1 1/2"



E010

Low Pressure Brass Hose Nipples

Item Number	Part Number	Hose Barb	Threads
405095	ME4231	1/4"	1/8"
405099	ME4252	3/8"	1/4"
405101	ME4253		3/8"
405105	ME4855		3/8" M. Flare
405104	ME4654		1/2" FNPT
405102	ME4273	1/2"	3/8"



ME4855



ME4654

High Pressure Brass Hose Nipples

Item Number	Part Number	Hose Barb	Threads
405097	ME5232	1/4"	1/4"
405098	ME5233		3/8"
405122	ME5632		1/4" FNPT
405120	ME5133		1/4" Inv. Flare
405119	ME5835		3/8" M. Flare



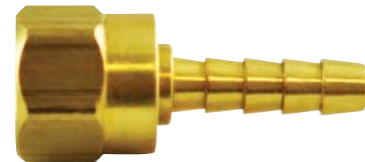
ME5133



ME5835

Low Pressure Brass Hose Nipples

Item Number	Part Number	Hose Barb	Nut
220530	ME4335	1/4"	3/8" Female Flare Swivel
220526	ME4355	3/8"	
405103	ME4377	1/2"	1/2" Female Flare Swivel



ME4335

Hose Buddy

Item Number	Part Number	Part Description
117325	HB-1000	Fits 2" hose to protect from abrasive ground surfaces. Easily transferable from hose to hose.



HB-1000

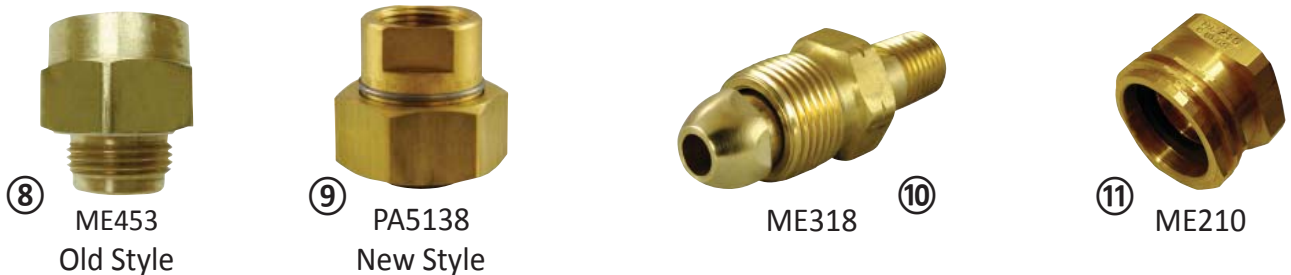


Typical Wetline Assembly				
Reference No.	Item Number	Part Number	Description	Quantity
1	182803	3/4" X 12'	L83 Hose Assembly	1
2	150615	MEH225	1/4" Relief Valve 440 PSI	1
3	150506	ME111	1 3/4" Female Acme X 3/4" MNPT	1
4	330426	ME449	3/4" Transfer Valve	1



Choose One				
Reference No.	Item Number	Part Number	Description	Quantity
5	223115	100-704	3/4" Ball Valve	1
6	110573	AL417P	3/4" Quick Acting Globe Valve	1
7	110583	L424	3/4" Minimum Bleed Valve	1

Choose One				
Reference No.	Item Number	Part Number	Description	Quantity
8	330745	ME453	Checkmate Adaptor (Old Style)	1
9	330646	PA5138	Checkmate Adaptor (New Style)	1



For Filling Cylinders				
Reference No.	Item Number	Part Number	Description	Quantity
10	121856	ME318	Male POL X 1/4" MNPT	1
11	150270	ME210	1 3/4" Male Acme X 1/4" FNPT	1

Section F Index			
• Anodes	128	• Continental Fittings	119-121
• Black Bell Reducers	114	• Continental Risers	121
• Black Fittings	114	• Copper Tubing	106
• Black Hex Bushings	114	• Detecto Tape	118
• Black Nipple Kits	113	• Dielectric Unions	128
• Black Square Head Plugs	114	• Dormont Connectors	117-118
• Black Unions	114	• Extra Heavy Swage Nipples	115
• Black Welded Nipples	113	• Extra Heavy Welded Nipples	115
• Brass Ball Valve 5 PSIG or Less	111	• Flaring Tools	106
• Brass Ball Valve 600 PSIG	112	• Forged Steel Fittings	116
• Brass Ball Valve w/Dielectric Union	128	• Forged Steel Hex Bushings	116
• Brass Female Elbows	109	• Forged Steel Hex Head Plugs	116
• Brass Female Half Unions	108	• Forged Steel Unions	116
• Brass Flare Bonnets	110	• Gastite FlashShield Fittings & CSST	126-127
• Brass Flare Caps	107	• Gastite FS Outlet Box	127
• Brass Flare Crosses	109	• Gastite Manifolds & Bracket	124
• Brass Flare Elbows	109	• Gastite Modular Stub System	124
• Brass Flare Plugs	110	• Gastite Regulators	125
• Brass Flare Tees	107	• Gastite Steel Conduit	122
• Brass Flare Union	108	• Gastite Striker Plates	122
• Brass Forged Flare Nuts	107	• Gastite Tubing Cutter	122
• Brass Hex Pipe Nipples	110	• Gastite XR2 Fittings & CSST	122-123
• Brass Male Elbows	109	• Gastite XR2 Outlet Box	125
• Brass Male Half Unions	108	• Mill Wrap	118
• Brass Pipe Tees	110	• Poly Pipe	119
• Brass Reducing Flare Nuts	107	• Rotary Meters	129
• Brass Reducing Flare Tees	107	• Tracer Wire	118
• Brass Reducing Flare Union	108	• Tube Bender	106
• Brass Short Flare Nuts	107	• Tube Cutters	106
• Brass Swivel Connectors	110	• Vapor Meters	129
• Burnaby Outlet Boxes	125		

Copper Tubing			
Item Number	O.D. Size	Wall Thickness	Length
220426	1/4"	.030"	50' Coils
220430	3/8"	.032"	
220434	1/2"		
220438	5/8"	.035"	
220421	3/8"	.032"	100' Coils
220422	1/2"		
220423	5/8"	.035"	



Copper Tubing

Other sizes & lengths available by special order.



945TH

Flaring Tools		
Item Number	Part Number	Flares Sizes
221451	420	3/16" to 5/8" OD
220807	945TH	1/8" to 3/4" OD



420



508

Tube Cutters		
Item Number	Part Number	Flare Sizes
221450	512	3/16" to 5/8" OD
221453	508	1/8" to 5/8" OD



512

Tube Bender			
Item Number	Part Number	Tube O.D.	Radius
221433	2.5141	3/8"	1 5/16"
221434	2.5142	1/2"	1 7/8"
221435	2.5136	5/8"	2 1/8"



2.5141

41FS Short Flare Nuts (N1)

Item Number	Flare Size
220002	3/16"
220003	1/4"
220005	5/16"
220010	3/8"
220014	1/2"
220018	5/8"
220019	3/4"
220020	7/8"
220350	9/16-24" *



41FS



44F

44F Flare Tees (T2)

Item Number	Flare Size
221104	1/4"
221105	5/16"
221106	3/8"
221107	1/2"
221108	5/8"
220351	9/16-24" *

41FFS Forged Flare Nuts

Item Number	Flare Size
221047	1/4"
221049	3/8"
221051	1/2"
221052	5/8"
221053	3/4"
221054	7/8"



41FFS



44FFR

44FFR Reducing Flare Tees (TR2)

Item Number	Flare Size	Branch Flare Size
221113	3/8"	1/4"
221114		1/2"
221115		5/8"
221117	1/2"	3/8"
221118		5/8"
221119	5/8"	3/8"
221120		1/2"

41FC Flare Caps (N5)

Item Number	Flare Size
220026	1/4"
220027	5/16"
220028	3/8"
220032	1/2"
220036	5/8"
220038	3/4"
220354	9/16-24" *



41FC

45FF Reducing Flare Tees (T1)

Item Number	Flare Size	Branch Size
220240	3/8"	1/4" MNPT
220244		3/8" MNPT
220248		1/2" MNPT
220252	1/2"	3/8" MNPT
220256		1/2" MNPT
220260	5/8"	1/2" MNPT
220264		3/4" MNPT
220266	3/4"	1/2" MNPT

NSR4 Reducing Flare Nuts

Item Number	Flare Size	Tube Size
220021	3/8"	1/4"
220022	1/2"	3/8"
220023	5/8"	1/2"



NSR4



45FF

* No. 29 Peanut or Fine Thread.

48F Male Half Unions (U1)		
Item Number	Flare Size	MNPT Size
220051	1/4"	1/8"
220052		1/4"
220040		3/8"
220041		1/2"
220042	5/16"	1/8"
220043		1/4"
220045	3/8"	1/8"
220046		1/4"
220048		3/8"
220054		1/2"
220058		3/4"
220055	1/2"	1/4"
220062		3/8"
220066		1/2"
220070		3/4"
220071	5/8"	1/4"
220072		3/8"
220074		1/2"
220078		3/4"
220075	3/4"	1/2"
220079	7/8"	3/4"
220362	9/16"-24 *	3/8"
220366		1/2"



48F



46F



42F



42FR

46F Female Half Unions (U3)		
Item Number	Flare Size	FNPT Size
220102	1/4"	1/8"
220103		1/4"
220104		3/8"
220108	5/16"	1/4"
220111	3/8"	1/8"
220106		1/4"
220110		3/8"
220114		1/2"
220118		3/4"
220120	1/2"	1/4"
220122		3/8"
220126		1/2"
220130	5/8"	3/4"
220131		3/8"
220134		1/2"
220138	3/4"	3/4"
220132		1/2"
220133		3/4"
220171	7/8"	3/4"
220370	9/16"-24 *	3/8"
220374		1/2"
220372		3/4"

42F Flare Union (U2)	
Item Number	Flare Size
220086	1/4"
220087	5/16"
220088	3/8"
220092	1/2"
220096	5/8"
220097	3/4"
220098	7/8"
220358	9/16" X 24 *

42FR Reducing Flare Union (UR2)		
Item Number	Flare Size	Flare Size
221085	3/8"	1/4"
221086		5/16"
221087	1/2"	1/4"
221088		3/8"
221089	5/8"	3/8"
221090		1/2"
221093	3/4"	5/8"

* No. 29 Peanut or Fine Thread.

49F Male Elbows (E1)

Item Number	Flare Size	MNPT Size
220147	1/4"	1/8"
220148		1/4"
220149		3/8"
220151		1/2"
220152	5/16"	1/8"
220153		1/4"
220155		3/8"
220141	3/8"	1/8"
220142		1/4"
220146		3/8"
220150		1/2"
220154		3/4"
220157	1/2"	1/4"
220158		3/8"
220162		1/2"
220140		3/4"
220163	5/8"	3/8"
220164		1/2"
220170		3/4"
220173	3/4"	1/2"
220172		3/4"
220174	7/8"	3/4"
220367	9/16" X 24 *	3/8"
220368		1/2"



49F



50F



55F

50F Female Elbows (E3)

Item Number	Flare Size	FNPT Size
220191	1/4"	1/8"
220192		1/4"
220193		3/8"
220194	5/16"	1/8"
220195		1/4"
220197	3/8"	1/8"
220198		1/4"
220202		3/8"
220206		1/2"
220210	1/2"	3/4"
220196		1/4"
220214		3/8"
220218	5/8"	1/2"
220222		3/4"
220224		3/8"
220226	3/4"	1/2"
220230		3/4"
220220	9/16" X 24 *	1/2"
220228		3/4"
220352	9/16" X 24 *	3/8"
220353		1/2"

55F Flare Elbows (E2)

Item Number	Flare Size
220189	5/16"
220180	3/8"
220184	1/2"
220188	5/8"
220186	3/4"



52FF

52FF Flare Crosses (C1)

Item Number	Flare Size
221138	1/4"
221139	5/16"
221140	3/8"
221141	1/2"
221142	5/8"

* No. 29 Peanut or Fine Thread.

Pipe Tees		
Item Number	Part Number	FNPT Size
750216	3700X2	1/8"
750220	3700X4	1/4"
750224	3700X6	3/8"
750228	3700X8	1/2"



3700X6

Hex Pipe Nipples (116)		
Item Number	MNPT Size	MNPT Size
220945	1/8"	1/8"
220946	1/4"	1/4"
220952	3/8"	3/8"
220947	3/8"	1/2"
220953	1/2"	1/2"



220953

PF Flare Plugs (P2)	
Item Number	Flare Size
220281	1/4"
220282	5/16"
220283	3/8"
220284	1/2"
220285	5/8"



PF

Swivel Connectors (US481)	
Item Number	Flare Size
221078	3/8"
221079	1/2"
221080	5/8"



US4

FB Flare Bonnets (B1)	
Item Number	Flare Size
221161	1/4"
221162	5/16"
221163	3/8"
221164	1/2"
221165	5/8"



FB

Brass Ball Valve Forged *

Item Number	Part Number	Pipe Size FNPT	Capacity BTU/HR
223000	102-102	3/8"	182,700
223002	102-103	1/2"	
223004	102-104	3/4"	457,400



102-104

Flare Ball Valve *

Item Number	Part Number	Male Flare Size	Capacity BTU/HR
223024	102-312	3/8"	64,800
223026	102-313	1/2"	69,000
223028	102-314	5/8"	302,200



102-314

Brass Ball Valve w/T-Handle *

Item Number	Part Number	Pipe Size FNPT	Capacity BTU/HR
223053	102-613	1/2"	290,000
223056	102-614	3/4"	726,800



102-614

Brass Ball Valve w/Side Tap *

Item Number	Part Number	Pipe Size FNPT	Capacity BTU/HR
223052	102-513	1/2"	163,000
223054	102-514	3/4"	439,700



102-513

Brass Ball Valve NPT X Flare *

Item Number	Part Number	Pipe Size FNPT	Flare Size	Capacity BTU/HR
223014	102-112	1/2"	3/8"	57,510
223016	102-113		1/2"	163,800
223018	102-114	3/4"	5/8"	237,346
223020	102-115		15/16"	237,346



102-114

* 5 PSIG or Less

Brass Ball Valve w/Side Tap *

Item Number	Part Number	Male Flare Size	Capacity BTU/HR
223060	102-522	3/8"	64,800
223066	102-523	1/2"	69,000



102-523

Brass Valves



Brass w/ T-Handle *			
Item Number	Part Number	Pipe Size FNPT	Pipe Size FNPT
223717	101-402	3/8"	3/8"
223715	101-403	1/2"	1/2"
223716	101-404	3/4"	3/4"



101-404

Brass w/ Tear Drop *			
Item Number	Part Number	Pipe Size FNPT	Pipe Size FNPT
223102	101-411	1/4"	1/4"
223703	101-412	3/8"	3/8"
223704	101-413	1/2"	1/2"
223705	101-414	3/4"	3/4"



101-414

Brass Male Flare *			
Item Number	Part Number	Male Flare Size	Male Flare Size
223708	101-601	1/2"	3/8"
223710	101-602	3/8"	
223709	101-604	5/8"	



101-602

Brass FNPT X Male Flare *			
Item Number	Part Number	Pipe Size FNPT	Male Flare Size
223706	101-502	1/2"	3/8"
223707	101-503		1/2"



101-503

Brass MNPT X Male Flare *			
Item Number	Part Number	Pipe Size MNPT	Male Flare Size
223711	101-702	1/2"	3/8"



101-702

* 600 PSIG Brass Valves

Black Welded Nipples								
Nipple Length	Pipe Size, MNPT							
	1/4"	3/8"	1/2"	3/4"	1"	1 1/4"	1 1/2"	2"
Close*	211001	211070	211104	211138	211172	211206	211238	211043
1 1/2"	211002	211007	211106	211140	----	----	----	----
2"	211003	211008	211108	211142	211176	211208	211240	----
2 1/2"	----	----	211014	211022	211030	----	----	----
3"	211004	211009	211112	211146	211180	211212	211244	211274
3 1/2"	----	----	211015	211023	211031	----	----	----
4"	211005	211082	211116	211150	211184	211216	211248	211278
4 1/2"	----	211010	211016	211024	211032	----	----	----
5"	211101	211086	211120	211154	211188	211220	211252	211282
5 1/2"	----	----	211017	211025	211033	----	----	----
6"	211006	211011	211124	211158	211192	211224	211256	211286
7"	----	----	211018	211159	211193	----	----	----
8"	211102	211012	211019	211026	211034	211037	211258	211041
9"	----	----	211020	211027	211194	----	----	----
10"	211103	211107	211125	211028	211035	211038	211260	211287
11"	----	----	211127	----	----	----	----	----
12"	211105	211013	211136	211029	211036	211039	211262	211042

* Minimum length of nipple. Lengths as follows:

Pipe Size	1/8"	1/4"	3/8"	1/2"	3/4"	1"	1 1/4"	1 1/2"	2"	2 1/2"	3"
Length	3/4"	7/8"	1"	1 1/8"	1 3/8"	1 1/2"	1 5/8"	1 3/4"	2"	2 1/2"	2 5/8"



211274

Black Nipple Kits		
Item Number	Part Number	Part Description
680056	1/2 Std Blk Assorted Nipples	Kit Contains 6 pcs. of the following sizes: Close, 1 1/2", 2", 2 1/2", 3", 3 1/2", 4", 4 1/2", 5", 5 1/2" & 6"
680057	3/4 Std Blk Assorted Nipples	



680056

Schedule 40 Fittings



Black Fittings						
Pipe Size, FNPT	Type Of Fitting					
	90° Elbow	45° Elbow	Tees	90° Street Elbows	Couplings	Caps
1/4"	680001	680070	680705	680008	680019	680014
3/8"	680002	680072	680012	680009	680020	680015
1/2"	680115	680005	680715	680415	680021	681115
3/4"	680120	680006	680720	680121	680022	680016
1"	680074	680007	680725	680010	680023	680017
1 1/4"	680003	680076	680730	680011	680024	680018
1 1/2"	680135	680078	680735	680435	680025	750456
2"	680004	680080	680013	680082	680026	750460



90°



Coupling



90° Street Elbow



Tee



Cap



Square Head Plug

Black Bell Reducers					
Item Number	Inlet Size FNPT	Outlet Size FNPT	Item Number	Inlet Size FNPT	Outlet Size FNPT
680060	1/2"	3/4"	680066	3/4"	1 1/4"
680065	3/4"	1"	680067	1"	1 1/4"



Bell Reducer



Union

Square Head Plugs									
Pipe Size	1/8"	1/4"	3/8"	1/2"	3/4"	1"	1 1/4"	1 1/2"	2"
Item Number	680027	680028	680029	681515	681520	680030	680031	680032	680033

Black Unions								
Pipe Size	1/4"	3/8"	1/2"	3/4"	1"	1 1/4"	1 1/2"	2"
Item Number	600526	680052	681605	680047	680048	680049	680050	680051



Hex Bushing

Black Hex Bushings											
Size, FNPT	Size, MNPT										
	1/4"	3/8"	1/2"	3/4"	1"	1 1/4"	1 1/2"	2"	2 1/2"	3"	4"
1/8"	680084	680086	680088	680090	----	----	----	----	----	----	----
1/4"	----	680034	680035	681412	680053	680092	----	----	----	----	----
3/8"	----	----	680036	680037	680054	680094	680098	----	----	----	----
1/2"	----	----	----	681416	680038	680096	680099	690000	----	----	----
3/4"	----	----	----	----	680039	680040	680043	690002	----	----	----
1"	----	----	----	----	----	680041	680044	690004	----	----	----
1 1/4"	----	----	----	----	----	----	----	680045	----	----	----
1 1/2"	----	----	----	----	----	----	----	680046	----	----	----
2"	----	----	----	----	----	----	----	----	----	680058	----

Any Item not listed can be special ordered.

Black Extra Heavy Welded Nipples

Nipple Length	Pipe Size, MNPT										
	1/8"	1/4"	3/8"	1/2"	3/4"	1"	1 1/4"	1 1/2"	2"	2 1/2"	3"
Close*	210650	210673	210695	210718	210741	210764	210787	210810	210833	210856	210877
1 1/2"	210651	210672	210693	210717	210740	-----	-----	-----	-----	-----	-----
2"	210649	210674	210696	210719	210742	210765	210788	210811	-----	-----	-----
2 1/2"	210652	210675	210697	210720	210743	210766	210789	210812	210835	-----	-----
3"	210653	210676	210698	210721	210744	210767	210790	210813	210836	210857	-----
3 1/2"	210654	210677	210699	210722	210745	210768	210791	210814	210837	210858	210878
4"	210655	210678	210700	210723	210746	210769	210792	210815	210838	210859	210879
4 1/2"	210656	210679	210701	210724	210747	210770	210793	210816	210839	210860	210880
5"	210657	210680	210702	210725	210748	210771	210794	210817	210840	210861	210881
5 1/2"	210658	210681	210703	210726	210749	210772	210795	210818	210841	210862	210882
6"	210659	210682	210704	210727	210750	210773	210796	210819	210842	210863	210883
7"	210660	210684	210705	210728	210752	210775	210798	210821	210844	210864	210885
8"	210661	210686	210706	210729	210754	210777	210800	210823	210846	210865	210887
9"	210662	210688	210707	210730	210755	210778	210802	210825	210848	210866	210888
10"	210663	210690	210708	210735	210756	210781	210804	210850	210827	210867	210891
11"	210664	210692	210709	210736	210757	210782	210806	210829	210852	210868	210893
12"	210671	210694	210710	210739	210762	210783	210808	210830	210854	210869	210895

* Minimum length of nipple. Lengths as follows:

Pipe Size	1/8"	1/4"	3/8"	1/2"	3/4"	1"	1 1/4"	1 1/2"	2"	2 1/2"	3"
Length	3/4"	7/8"	1"	1 1/8"	1 3/8"	1 1/2"	1 5/8"	1 3/4"	2"	2 1/2"	2 5/8"

Concentric Extra Heavy Swage Nipples

Item Number	Pipe Size, MNPT	Item Number	Pipe Size, MNPT
214295	3/4" X 1/2"	214420	2" X 1 1/4"
214315	1" X 1/2"	214425	2" X 1 1/2"
214320	1" X 3/4"	214455	2 1/2" X 1"
214345	1 1/4" X 3/4"	214460	2 1/2" X 1 1/4"
214350	1 1/4" X 1"	214465	2 1/2" X 1 1/2"
214355	1 1/2" X 3/4"	214470	2 1/2" X 2"
214380	1 1/2" X 1"	214500	3" X 1"
214385	1 1/2" X 1 1/4"	214505	3" X 1 1/4"
214410	2" X 3/4"	214515	3" X 2"
214415	2" X 1"	214520	3" X 2 1/2"



210878



214420

Schedule 80 Fittings



Hex Bushing



Hex Plug



90°



Tee



Union

Forged Steel Fittings								
2000 Lbs., A105, ANSI B16.11					3000 Lbs., A105, ANSI B16.11			
Pipe Size, FNPT	Type Of Fitting							
	90 Elbow	45 Elbow	Tees	Crosses	90 Street Elbows	Couplings	Half Couplings	Caps
1/4"	610005	610105	610205	610305	611305	600105	600205	600805
3/8"	610010	610110	610210	610310	611310	600110	600210	600810
1/2"	610015	610115	610215	610315	611315	600115	600215	600815
3/4"	610020	610120	610220	610320	611320	600120	600220	600820
1"	610025	610125	610225	610325	611325	600125	600225	600825
1 1/4"	610030	610130	610230	610330	611330	600130	600230	600830
1 1/2"	610035	610135	610235	610335	611335	600135	600235	600835
2"	610040	610140	610240	610340	611340	600140	600240	600840
2 1/2"	610045	610145	610245	610345	-----	600145	600245	600845
3"	610050	610150	610250	610350	-----	600150	600250	600850
4"	610055	610155	610255	610355	-----	600155	600255	600855

Hex Head Plugs												
A105, ANSI B16.11												
Pipe Size	1/8"	1/4"	3/8"	1/2"	3/4"	1"	1 1/4"	1 1/2"	2"	2 1/2"	3"	4"
Item Number	600500	600505	600510	600515	600520	600525	600530	600535	600540	600545	600550	600555

Forged Steel Unions											
3000 Lbs., A105, MSS SP-83											
Pipe Size	1/8"	1/4"	3/8"	1/2"	3/4"	1"	1 1/4"	1 1/2"	2"	2 1/2"	3"
Item Number	661100	661105	661110	661115	661120	661125	661130	661135	661140	661145	661150

Forged Steel Hex Bushings											
A105, ANSI B16.11											
Size, FNPT	Size, MNPT										
	1/4"	3/8"	1/2"	3/4"	1"	1 1/4"	1 1/2"	2"	2 1/2"	3"	4"
1/8"	603100	603105	603115	603130	603150	603175	603205	603240	603280	603325	603375
1/4"	-----	603110	603120	603135	603155	603180	603210	603245	603285	603330	603380
3/8"	-----	-----	603125	603140	603160	603185	603215	603250	603290	603335	603385
1/2"	-----	-----	-----	603145	603165	603190	603220	603255	603295	603340	603390
3/4"	-----	-----	-----	-----	603170	603195	603225	603260	603300	603345	603395
1"	-----	-----	-----	-----	-----	603200	603230	603265	603305	603350	603400
1 1/4"	-----	-----	-----	-----	-----	-----	603235	603270	603310	603355	603405
1 1/2"	-----	-----	-----	-----	-----	-----	-----	603275	603315	603360	603410
2"	-----	-----	-----	-----	-----	-----	-----	-----	603320	603365	603415
2 1/2"	-----	-----	-----	-----	-----	-----	-----	-----	-----	603370	603420
3"	-----	-----	-----	-----	-----	-----	-----	-----	-----	-----	603425

Heater Connector				
Item Number	Part Number	Length	Pipe Size	Tubing Size
221705	10-2121-24	24"	3/8" MNPT X 3/8" MNPT	3/8" OD
221707	10-2121-36	36"		
221713	10-2121-48	48"		
221714	10-2121-60	60"		
221717	10-2121-72	72"		



10-2121-24

Dryer Connector				
Item Number	Part Number	Length	Pipe Size	Tubing Size
221828	20-9898-10	10"	1/2" Female Nut X 1/2" Female Nut	3/8" OD
221830	20-9898-16	16"		
221834	20-9898-22	22"		
221814	20-9898-28	28"		
240004	20-9898-34	34"		
221816	20-9898-46	46"		
221470	20-9898-58	58"		



20-9898-10

Heater Connector				
Item Number	Part Number	Length	Pipe Size	Tubing Size
221831	10-2122-12	12"	3/8" MNPT X 3/8" FNPT	3/8" OD
221836	10-2122-18	18"		
221702	10-2122-24	24"		
221832	10-2122-30	30"		
221703	10-2122-36	36"		
221708	10-2122-48	48"		



10-2122-12

Range Connector				
Item Number	Part Number	Length	Pipe Size	Tubing Size
221838	30-4141-12	12"	3/4" MNPT X 3/4" MNPT	5/8" OD



30-4141-12

Dryer Connector				
Item Number	Part Number	Length	Pipe Size	Tubing Size
221902	20-3132-12	12"	1/2" MNPT X 1/2" FNPT	1/2" OD
221823	20-3132-18	18"		
221824	20-3132-24	24"		
221829	20-3132-30	30"		
221820	20-3132-36	36"		
221825	20-3132-48	48"		
201823	20-3132-72	72"		



20-3132-12

Heater Connector				
Item Number	Part Number	Length	Pipe Size	Tubing Size
221678	10-9898-10	10"	3/8" Female Nut X 3/8" Female Nut	3/8" OD
221679	10-9898-16	16"		
221680	10-9898-22	22"		
221681	10-9898-28	28"		
221676	10-9898-34	34"		
221683	10-9898-46	46"		
221684	10-9898-58	58"		
221685	10-9898-70	70"		



10-98-98-10

Dryer Connector				
Item Number	Part Number	Length	Pipe Size	Tubing Size
221840	20-3131-36	36"	1/2" MNPT X 1/2" MNPT	1/2" OD



20-3131-36

Ultra flow™ Connector				
Item Number	Part Number	Length	Pipe Size	Tubing Size
221905	41-4142-12	12"	3/4" MNPT X 3/4" FNPT	1" OD
221906	41-41-42-30	24"		



10-3132-12

Heater Connector				
Item Number	Part Number	Length	Pipe Size	Tubing Size
221903	10-3132-12	12"	1/2" MNPT X 1/2" FNPT	3/8" OD
221719	10-3132-30	30"		
221718	10-3132-36	36"		



10-3132-12

Range Connector				
Item Number	Part Number	Length	Pipe Size	Tubing Size
221833	30-3132-24	24"	1/2" MNPT X 1/2" FNPT	5/8" OD
221835	30-3132-36	36"		
221837	30-3132-48	48"		



30-3132-24

Range Connector Fittings			
Item Number	Cat. No.	Pipe Size	Tube Size OD
220448	BCM-5	1/2" MNPT	15/16"
220449	BCM-7	3/4" MNPT	
220446	BCF-5	1/2" MNPT	
220447	BCF-7	3/4" MNPT	



BCF-5



BCM-5

Range Connector				
Item Number	Part Number	Length	Pipe Size	Tubing Size
221465	30-4144-18	18"	3/4" MNPT X 3/4" Female Angle	5/8" OD
221462	30-4144-24	24"		
221464	30-4144-36	36"		
221466	30-4144-48	48"		
221468	30-4144-60	60"		



30-4144-18

Detecto Tape	
Item Number	Part Description
205002	Roll of 2" Tape X 1000'
Caution: Buried Gas Line Below	



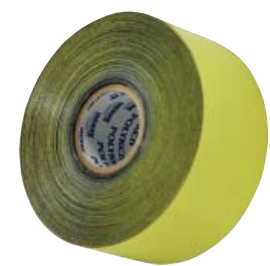
205002

Tracer Wire	
Item Number	Part Description
205011	Roll of 500' Wire



205011

Yellow Mill Wrap		
Item Number	Part Number	Part Description
200125	826-2Y	Mil Wrap



826-2Y

Poly Pipe		
Item Number	Size & Type	Roll Quantity
205013	1/2" CTS	150'
205000	1/2" CTS	500'
205012	3/4" IPS	150'
205001	3/4" IPS	500'
205010	1" IPS	150'
204999	1 1/4" IPS	150'
205005	2" IPS	150'



3/4" Poly

Chamfering Tools		
Item Number	Part Number	Size
205490	0000-33-6580-04	1/2" CTS
205492	0000-33-6580-13	3/4" IPS
205494	0000-33-6580-14	1" IPS
205496	0000-33-6580-15	1 1/4" IPS
205498	0000-33-6580-17	2" IPS



0000-33-6580-04

Transition Fitting		
Item Number	Part Number	Size
205549	4646-00-1904-00	1/2" CTS
205551	4646-00-1913-00	3/4" IPS



4646-00-1904-00

Caps		
Item Number	Part Number	Size
205482	3259-53-1004-00	1/2" CTS
205480	3259-53-1013-00	3/4" IPS



3259-53-1004-00

Reducing Coupling			
Item Number	Part Number	Size	Size
205501	3259-54-1304-00	1/2" CTS	3/4" IPS



3259-54-1304-00

Full Couplings		
Item Number	Part Number	Size
205500	3259-52-1004-00	1/2" CTS
205502	3259-52-1013-00	3/4" IPS
205504	3259-52-1014-00	1" IPS
205506	3259-52-1015-00	1 1/4" IPS
205508	3259-52-1017-00	2" IPS



3259-52-1004-00

Elbows		
Item Number	Part Number	Size
205516	3259-51-1004-00	1/2" CTS
205518	3259-51-1013-00	3/4" IPS
205520	3259-51-1014-00	1" IPS
205522	3259-51-1015-00	1 1/4" IPS
205524	3259-51-1017-00	2" IPS



3259-51-1004-00

Tees		
Item Number	Part Number	Size
205526	3259-50-1004-00	1/2" CTS
205528	3259-50-1013-00	3/4" IPS
205530	3259-50-1014-00	1" IPS
205532	3259-50-1015-00	1 1/4" IPS
205534	3259-50-1017-00	2" IPS



3259-50-1004-00

Reducing Tees			
Item Number	Part Number	Size	Size
205536	3259-49-1304-00	3/4" IPS	1/2" CTS
205538	3259-49-1413-00	1" IPS	3/4" IPS



3259-49-1304-00

Transition Couplings			
Item Number	Part Number	Size	Size
205514	1332-00-0913-00	3/4" IPS	3/4" MNPT
205510	9943-99-0064-00	1/2" CTS	1/2" Copper
205512	9943-99-0065-00		5/8" Copper



1332-00-0913-00



9943-99-0064-00

Rigid Risers				
Item Number	Part Number	Pipe Size	Poly Size	Length
205540	1355-91-4604-00	3/4" MNPT	1/2" CTS	18"
205542	1353-91-4604-00			30"
205544	ASRY0075I0075M		3/4" IPS	24"
205546	1353-91-4608-11		1" IPS	30"
205548	1453-91-4614-11	1" MNPT		
205550	1553-91-4615-11	1 1/4" MNPT	1 1/4" IPS	36"
205552	1752-91-4617-11	2" MNPT	2" IPS	



1353-91-4604-00



1353-92-3013-36

Flex Risers				
Item Number	Part Number	Pipe Size	Poly Size	Length
205554	1253-92-1004-36	1/2" MNPT	1/2" CTS	36"
205556	1253-92-1004-84			84"
205558	1353-92-1004-36	3/4" MNPT		36"
205560	1353-92-1004-84			84"
205562	1353-92-1013-36	3/4" MNPT	3/4" IPS	36"
205564	1353-92-1013-84			84"

CSST Reels			
Item Number	Part Number	CSST Size	Reel Quantity
160100	S93-8A4	1/2"	250'
160102	S93-11B4	3/4"	250'
160104	S93-16A4	1"	150'



S93-11B4

Steel Conduit Coils			
Item Number	Part Number	Description	Coil Quantity
160174	FLOPPY16	1" Conduit — Fits 1/2" CSST	50 Ft.
160176	FLOPPY20	1 1/4" Conduit — Fits 3/4" CSST	50 Pcs.



FLOPPY-16

Steel Conduit Sections			
Item Number	Part Number	Description	Case Quantity
160170	LFLOPPY-16	1 Foot Pc. of 1" Conduit Fits 1/2" CSST	50
160172	LFLOPPY-20	1 Foot Pc. of 1 1/4" Conduit Fits 3/4" CSST	25



LFLOPPY-16

Striker Plates			
Item Number	Part Number	Description	Case Quantity
160164	TFM201	Half Striker 3 X 7	50 Pcs.
160166	TFM203	Three Quarter Striker 3 X 8	50 Pcs.
160162	TFM204	Quarter Striker 3 X 2	100 Pcs.
160168	TFM205	Full Striker 3 X 12	25 Pcs.



TFM205



TFM204



TFM203



TFM201

Tubing Cutter		
Item Number	Part Number	Description
160110	GTCUTTER-SM	Tubing Cutter 3/8" - 1"



GTCUTTER-SM

XR2 Male Straight				
Item Number	Part Number	CSST Size	MNPT Size	Case Quantity
160112	XR2FTG-8	1/2"	1/2"	24 Pcs.
160114	XR2FTG-11	3/4"	3/4"	24 Pcs.
160116	XR2FTG-16	1"	1"	12 Pcs.



XR2FTG-8



XR2FTGFM-8

XR2 Female Straight				
Item Number	Part Number	CSST Size	MNPT Size	Case Quantity
160118	XR2FTGFM-8	1/2"	1/2"	24 Pcs.
160120	XR2FTGFM-11-8	3/4"	1/2"	24 Pcs.
160122	XR2FTGFM-11	3/4"	3/4"	24 Pcs.

XR2 Coupling				
Item Number	Part Number	CSST Size	MNPT Size	Case Quantity
160128	XR2CPL-8	1/2"	1/2"	12 Pcs.
160130	XR2CPL-11	3/4"	3/4"	12 Pcs.
160131	XR2CPL-16	1"	1"	6 Pcs.



XR2CPL-8

XR2 Termination w/L Bracket				
Item Number	Part Number	Termination Size	MNPT Size	Case Quantity
160132	XR2TRMBKT-8	1/2" Term. Bracket Fitting	1/2"	12 Pcs.
160134	XR2TRMBKT-11	3/4" Term. Bracket Fitting	3/4"	12 Pcs.



XR2TRMBKT-8



XR2TRM-8

XR2 Termination Fitting w/Square Flange				
Item Number	Part Number	Termination Size	MNPT Size	Case Quantity
160182	XR2TRM-8	1/2" Term. Fitting - Sq. Flange	1/2"	12 Pcs.
160184	XR2TRM-11	3/4" Term. Fitting - Sq. Flange	3/4"	12 Pcs.

Modular Stub System			
Item Number	Part Number	Description	Case Quantity
160148	1/2X6STUB	1/2" M X 6" Straight Stub	10 Pcs.
160150	1/2X12STUB	1/2" M X 12" Straight Stub	10 Pcs.
160152	3/4X6STUB	3/4" M X 6" Straight Stub	10 Pcs.
160154	3/4X12STUB	3/4" M X 12" Straight Stub	10 Pcs.
160147	ANGLE-STUB-01	1/2" M X 4 1/2" X 72.5° Angle Stub	10 Pcs.
160156	STUB-BRACE	Stub Bracket - Fits All	1 Pc.



STUB-BRACE



ANGLE-STUB-01



1/2X6STUB



1/2X12STUB

Multi-Port Manifolds				
Item Number	Part Number	Inlet Size	Outlet Size	Case Quantity
160144	4-Portman	3/4" FNPT	4 Ports @ 1/2" FNPT	12 Pcs.
160146	5-Portman	3/4" FNPT	1 Port @ 3/4" FNPT & 5 Ports @ 1/2" FNPT	12 Pcs.



4-Portman

Manifold Bracket			
Item Number	Part Number	Description	Case Quantity
160158	MBRACE-1	Manifold Mounting Kit	12 Pcs.



MBRACE-1



XR-APSTUB-8

XR Appliance Stub-Out				
Item Number	Part Number	Female CSST Size	MNPT Size	Case Quantity
160140	XR-APSTUB-8	1/2"	1/2"	12 Pcs.
160142	XR-APSTUB-11	3/4"	3/4"	12 Pcs.

Burnaby Outlet Boxes	
Item Number	Part Description
160186	Stainless Steel Surface Mount 1/2"
160188	Stainless Steel Recessed Mount 1/2"



160186



160188



XROUTLETBOX-8

Outlet Box			
Item Number	Part Number	Description	Case Quantity
160160	XROUTLETBOX-8	1/2" XR Fitting	1 Pc.

Gastite Regulators				
Item Number	Part Number	Inlet & Outlet	Outlet Size	Case Quantity
160106	REG11-300	1/2" FNPT	355 MBTU of LP @ 11" w.c.	1 Pc.
160108	REG11-600	3/4" FNPT	810 MBTU of LP @ 11" w.c.	1 Pc.



REG11-300



REG11-600

FlashShield CSST Reels			
Item Number	Part Number	CSST Size	Reel Quantity
160200	FS-8-250	1/2"	250'
160205	FS-11-250	3/4"	250'
160210	FS-16-150	1"	150'



S93-11B4

FS Tee					
Item Number	Part Number	CSST Size	CSST Size	CSST Size	Case Quantity
160125	FST-8	1/2"	1/2"	1/2"	12
160127	FST-11	3/4"	3/4"	3/4"	12
160129	FST-16	1"	1"	1"	6
160136	FST-16-11-11	1"	1"	3/4"	6



FST-8

FS Coupling				
Item Number	Part Number	CSST Size	MNPT Size	Case Quantity
160235	FSCPL-8	1/2"	1/2"	12 Pcs.
160240	FSCPL-11	3/4"	3/4"	12 Pcs.
160245	FSCPL-16	1"	1"	6 Pcs.



FSCPL-8

FS Termination Fitting w/Flange				
Item Number	Part Number	Termination Size	MNPT Size	Case Quantity
160220	FSTRM-8	1/2" Term. Fitting - Sq. Flange	1/2"	12 Pcs.
160225	FSTRM-11	3/4" Term. Fitting - Sq. Flange	3/4"	12 Pcs.
160230	FSTRM-16	1" Term. Fitting - Sq. Flange	1"	6 Pcs.



FSTRM-8

FS Termination Fitting				
Item Number	Part Number	Termination Size	MNPT Size	Case Quantity
160250	FSTRM-8-NF	1/2" Termination Fitting	1/2"	12 Pcs.
160255	FSTRM-11-NF	3/4" Termination Fitting	3/4"	12 Pcs.



FSTRM-8-NF

FS Termination Bracket				
Item Number	Part Number	Termination Size	MNPT Size	Case Quantity
160275	FSTRMBKT-8	1/2" Term. Bracket Fitting	1/2"	12 Pcs.
160280	FSTRMBKT-11	3/4" Term. Bracket Fitting	3/4"	12 Pcs.



FSTRMBKT-8



FS-APSTUB-8

FS Appliance Stub-Out				
Item Number	Part Number	Female CSST Size	MNPT Size	Case Quantity
160285	FS-APSTUB-8	1/2"	1/2"	10 Pcs.
160290	FS-APSTUB-11	3/4"	3/4"	10 Pcs.

1 1/2" Stub Length.

FS Appliance Stub-Out Long				
Item Number	Part Number	Female CSST Size	MNPT Size	Case Quantity
160295	FS-L-APSTUB-8	1/2"	1/2"	10 Pcs.
160300	FS-L-APSTUB-11	3/4"	3/4"	10 Pcs.

2 1/4" Stub Length.



FS-L-APSTUB-8



FSOUTLETBOX-8

Outlet Box			
Item Number	Part Number	Description	Case Quantity
160305	FSOUTLETBOX-8	1/2" FS Fitting	1 Pc.
160310	FSOUTLETBOX-11	3/4" Fitting	1 Pc.

Dielectric Unions & Anodes



Brass w/ T-Handle *			
Item Number	Part Number	Pipe Size FNPT	Includes
223103	101-403-DU	1/2"	Dielectric Union
223104	101-404-DU	3/4"	

* 600 PSIG Light Duty Brass Valves



101-404-DU

Steel Dielectric Unions			
Item Number	Part Number	Size	Size
200110	701-403	1/2" FNPT	1/2" FNPT
200115	701-404	3/4" FNPT	3/4" FNPT



701-404

MEC Space Saver Dielectric Unions				
Item Number	Part Number	Connection	Connection	OAL
150960	ME690-4-6	1/2" MNPT	3/8" Male Flare	3 3/8"
150963	ME690-6-6	3/4" MNPT		3 1/2"
150965	ME690-4-8	1/2" MNPT	1/2" Male Flare	3 1/2"
150968	ME690-6-8	3/4" MNPT		3 5/8"
150970	ME690-4-10	1/2" MNPT	5/8" Male Flare	3 5/8"
150973	ME690-6-10	3/4" MNPT		3 3/4"



ME690-4-6



200100



200120

Anodes	
Item Number	Part Description
200100	9 Lb. H-1 Magnesium Anode
200105	17 Lb. H-1 Magnesium Anode
200120	6B Reference Electrode

Recommended Anode Use Chart	
Quantity	For
1	9 Lb. Anode for 250 Gallon Tank
1	17 Lb. Anode for 500 Gallon Tank
2	17 Lb. Anode for 1000 Gallon Tank

Vapor Meters					
Item Number	Part Number	Capacity - SCFH 1/2" WC Differential		Maximum Working Pressure - PSI	Inlet & Outlet
		Propane	Butane		
170030	AC-250TC	158	138	5	3/4" MNPT
170032	AL-425TC	268	234	10	1 1/4" MNPT

Other sizes are available for special order. Factory refurbished meters are sometimes available by special quote.



AC-250TC



AL-425TC

Rotary Meters

Roots meters are designed to provide accurate gas measurement over widely fluctuating flow, pressure & temperature conditions. These meters will handle commercial & industrial metering applications. Just ask your salesman for details.



Roots Meter

Section G Index			
• Algas Direct Fired Vaporizer	184	• Corken Coro-Vane Repair Kits	142-143
• Algas Direct Fired Vaporizer Breakdown	185-186	• Corken Side Channel Pumps	144
• Algas Second Sun™ Tank Heater	187	• Corken Z-Series Breakdown	145-146
• Algas Torrex Vaporizer	188	• Corken Z-Series Pumps	144
• Algas Zimmer Vaporizer	187	• Dispenser Cabinet	192
• AS Vaporizer Parts	189	• Fisher Bypass	154
• Baldor Motors	150	• Gauge Snubber	190
• Blackmer Bypass	153	• Hi-Flow Liquid Withdrawal Valves	191
• Blackmer Pumps	150	• Krug Compressor & Hand Pump	193
• Blackmer Repair Kits	151	• Liqua-Tech LPM-102 Breakdown	157-158
• Corken Autogas Breakdown	134	• Liqua-Tech LPM-200 Breakdown	161-167
• Corken Autogas Pumps	133	• Liqua-Tech Meters	156
• Corken Bypass	152	• MEC Bypass	155
• Corken Compressor Parts	149	• Neptune 1" Breakdown	169-171
• Corken Compressors	147-148	• Neptune 1 1/4" & 1 1/2" Breakdown	172-177
• Corken Coro-Flo Breakdown	132	• Neptune 2" Breakdown	178-183
• Corken Coro-Flo Pumps	131	• Neptune Meters	168
• Corken Coro-Vane Breakdown	137-141	• Pressure Gauges	190
• Corken Coro-Vane Pumps	135	• Y-Strainers	191

Corken Coro-Flo Pumps										
Item Number	Part Number	Description	Inlet	Outlet	Weight Lbs.	Motor Specs	Bypass	GPM Thru Meter	Service Fill Time	
									20# Cylinder	100# Cylinder
140000	C10ED2A SM-20	Pump, Motor, & Starter	1 1/4" MNPT	1" MNPT	76	3/4 HP Single Phase 115/208/230 Volt 60 Hertz	----	7	30 Seconds to 1 Minute	2 1/2 to 3 1/2 Minutes
140001	C10ED2A SM-20	Pump, Motor, Starter, & Bypass					B166-75			
140002	C10ED2A	Pump & Motor					----			
140003	C10ED2A	Pump, Motor, & Bypass					B166-75			
140005	C12ED2A SM-20	Pump, Motor, & Starter	1 1/2" MNPT	1" MNPT	86	1 HP Single Phase 115/208/230 Volt 60 Hertz	----	15	15 to 30 Seconds	2 to 3 Minutes
140006	C12ED2A SM-20	Pump, Motor, Starter, & Bypass					B166-75			
140007	C12ED2A	Pump & Motor					----			
140008	C12ED2A	Pump, Motor, & Bypass					B166-75			
140010	C13FD2A	Pump, Motor, & Starter	1 1/2" MNPT	1" MNPT	126	2 HP Single Phase 115/208/230 Volt 50/60 Hertz	----	23	10 to 20 Seconds	1 1/2 Minutes
140011	C13FD2A	Pump, Motor, Starter, & Bypass					B166-1			
140012	C13FD2A	Pump & Motor								
140020	C14GD2A	Pump, Motor, & Starter	1 1/2" MNPT	1" MNPT	150	3 HP Single Phase 230/460 Volt 50/60 Hertz	----	30	----	Less Than 1 Minute
140021	C14GD2A	Pump, Motor, Starter, & Bypass					B166-1			



Pump & Motor



Pump, Motor, & Starter



Pump, Motor, & Bypass

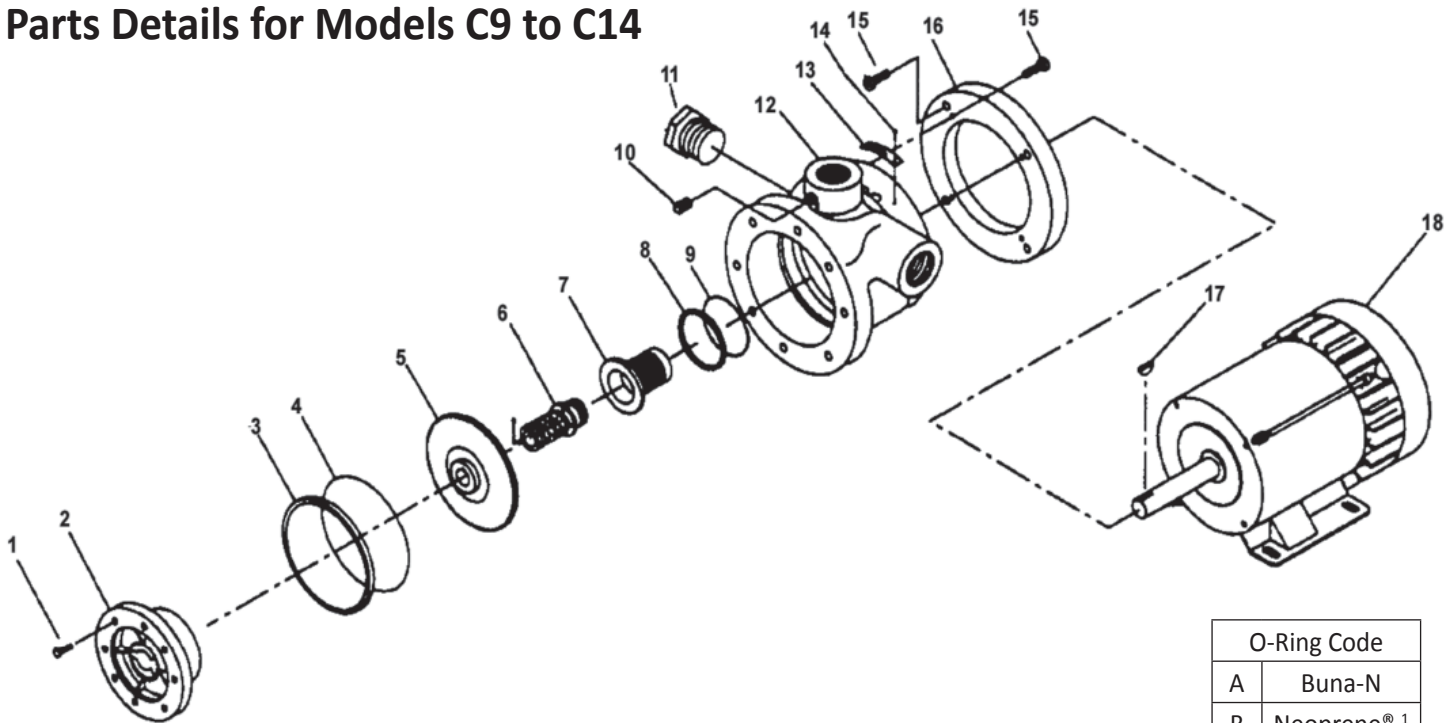


Pump, Motor, Starter, & Bypass

Coro-Flo Pumps Breakdown



Parts Details for Models C9 to C14



O-Ring Code	
A	Buna-N
B	Neoprene [®] 1
E	Teflon [®] 1

CAUTION: Always relieve pressure in the unit before attempting any repairs.

Ref No.	Item Number	Part Number	Description	Qty.
1	140990	7001-031NC100A	Hex Head Cap Screw	8
2	Special Order	1001-09	Cover - Model 9	1
	Special Order	1001-0	Cover - Model 10	
	Special Order	1001-2	Cover - Model 12	
	Special Order	1001-3	Cover - Model 13	
	Special Order	1001-4	Cover - Model 14	
3	140560	1014 ²	Case Clearance Shim (.002" Red)	As Req.
	140561	1014-1 ²	Case Clearance Shim (.003" Green)	
4	140948	2-246A ^{2,3}	Case O-Ring (Non-Teflon [®] 1)	1
	Special Order	2-247E ²	Case O-Ring Teflon [®] 1	
5	Special Order	1003-09 ⁶	Impeller, Brass - Model 9	1
	140550	1003-0 ⁶	Impeller, Brass - Model 10	
	140555	1003-2 ⁶	Impeller, Brass - Model 12	
	140556	1003-3 ⁶	Impeller, Brass - Model 13	
	140557	1003-4 ⁶	Impeller, Brass - Model 14	
6	140525	113-CXA ³	Seal Assembly	1
7	140558	1004-1X	Seal Housing, Steel (Non-Teflon [®] 1 O-Rings)	1
	Special Order	1004-11X	Seal Housing, SS (Non-Teflon [®] 1 O-Rings)	
	Special Order	1004-2X	Seal Housing, Steel (Teflon [®] 1 O-Rings)	
	Special Order	1004-21X	Seal Housing, SS (Non-Teflon [®] 1 O-Rings)	
8	140562	1013	Housing Adjustment Shim (0.010")	As Req.
	140563	1013-1	Housing Adjustment Shim (0.010")	

Ref No.	Item Number	Part Number	Description	Qty.
9	140938	2-224A ³	Housing O-Ring	1
10	Special Order	3442	Pipe Plug, 1/4" MNPT	1
11	Special Order	3444	Pipe Plug, 3/4" MNPT	1
12	Special Order	1002-09	Case - Model 9	1
	Special Order	1002-0	Case - Model 10	
	Special Order	1002-2	Case - Model 12	
	Special Order	1002-3	Case - Model 13	
	Special Order	1002-4	Case - Model 14	
13	Special Order	1914-1	Nameplate	1
14	Special Order	7012-006SF019E	Phillips Head Screw 6-32 X 1/4"	2
15	140520	7002-037NC087A	Socket Head Cap Screw	8
16	Special Order	1015	Adapter Ring	1
17	140677	2497	Woodruff Key, Steel	1
	Special Order	2497-1	Woodruff Key, SS	
18	140856	2555	Motor 3/4 HP Models 9,10	1
	140857	2556	Motor 1 HP Model 12	
	Special Order	2557 ⁵	Motor 3 HP Models 14, 15	
	Special Order	2895 ⁵	Motor 3/4 HP Models 9E, 10	
	Special Order	2896 ⁵	Motor 1 1/2 Hp, Obsolete Model 12E	
Special Order	4261 ⁴	Motor 2 HP Model 13		

¹ Registered trademarks of the DuPont Company.

² Included with seal assembly/repair kit 113-CXA.

³ Denotes O-Ring code. See chart above for details.

⁴ Prior to S.N. PR166727 motor part number was 3760.

⁵ Starting with S.N. PW168290 will be new motor frame size.

⁶ Add a 1 to # for iron or a 2 for stainless steel (example: model 10w/iron is 1003-01).

Buna-N Standard O-Ring Material

Corken Autogas Bare Pumps

Item Number	Part Number	Inlet	Outlet	Flow Rate	Differential Pressure
140072	FF060-CD6A	1 1/2" 300# ANSI Flange	1" 300# ANSI Flange	8 - 15 GPM	145 PSI
140047	FF075-CD6A			18 GPM	150 PSI
140039	FF150-CD6A			35 GPM	150 PSI
140041	FF Flange, Bolt, & Gasket Set			1 1/2" FNPT & 1" FNPT	



FF075



Flange, Bolt, & Gasket Set

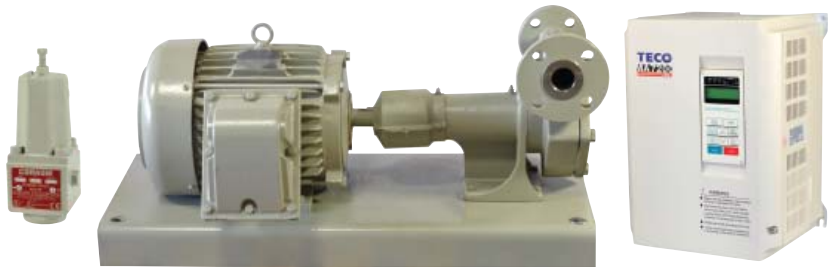
Corken Autogas Base Mounted

Item Number	Part Number	RPM	3 Phase Motor - HP	Frame Size
140074	FF060-CDGA-101-14-184T-5HP	3650	5	184T
140048	FF075-CD6A-101-14-215T-5HP-SP	3650	5	215T
140042	FF150-CD6A-101-14-3650-184T-7	3650	7	184T
140043	FF150-CD6A-101-14-3650-215T-10	3650	10	215T

101 Style - Mounting includes steel baseplate, lovejoys, and guard.



101 Pump Series



HDFP075-1P

Corken Autogas Base Mounted

Item Number	Part Number	Bypass	RPM	Motor Phase / HP	Frame Size
140065	HDPFF075-1P	B166-1 CAU	3650	1 / 7.5	213T
140066	HDPFF075-3P	B166-1 CAU	3650	3 / 7.5	213T
140068	HDPFF150-1P	T166-1.25 CAU	3650	1 / 10	215T
140069	HDPFF150-3P	T166-1.25 CAU	3650	3 / 10	215T

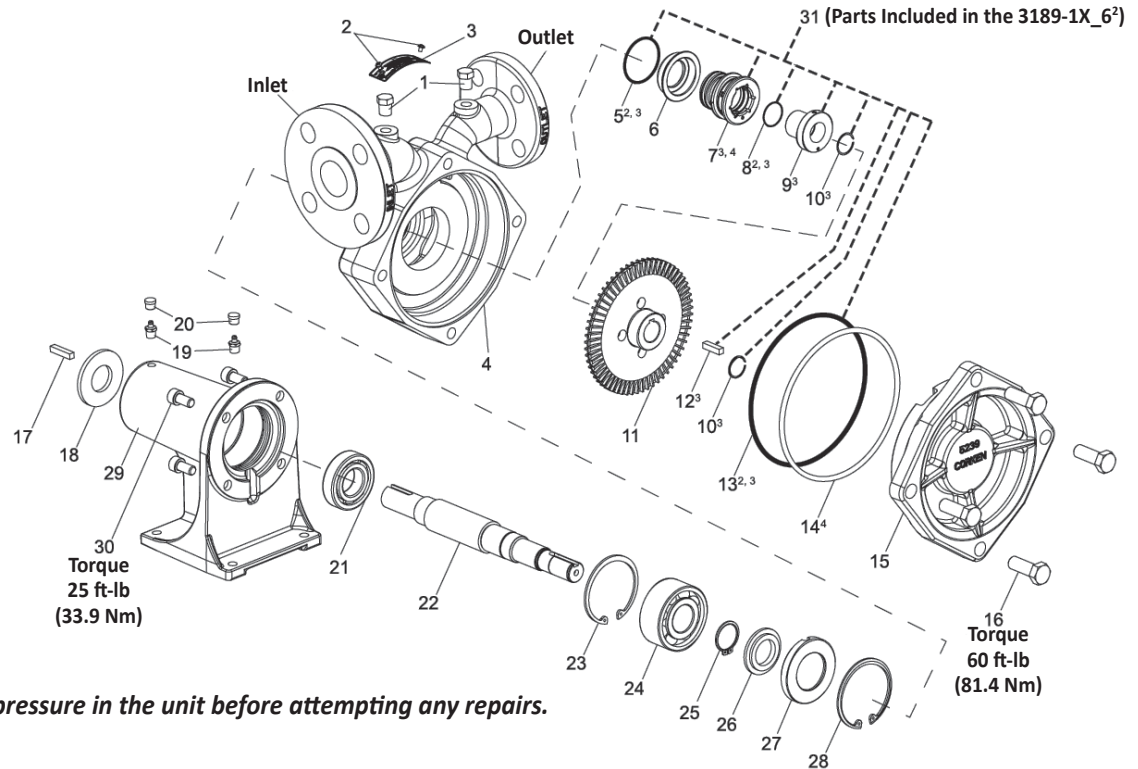
Mounting includes steel baseplate, Motor, Bypass, VFD, Lovejoys, and Guard.

Autogas Pumps Breakdown



Parts Details for Models 060, 075, & 150

O-Ring Code	
A	Buna-N
B	Neoprene ^{® 1}
D	Viton ^{® 1}
G	Ethylene Propylene
K	Kalrez ^{® 1}



CAUTION: Always relieve pressure in the unit before attempting any repairs.

Ref No.	Item Number	Part Number	Description	Qty.
1	Special Order	3442	1/4" MNPT Pipe Plug	1
2	Special Order	7012-0065F019E	Nameplate Screw	2
3	Special Order	1914-1	Nameplate	1
4	Special Order	5238-060	060 Case - ANSI Flange (FF)	1
	Special Order	5238-75	075 Case - ANSI Flange (FF)	
	Special Order	5238	150 Case - ANSI Flange (FF)	
	Special Order	5238-061	060 Case - DIN Flange (FD)	
	Special Order	5238-751	075 Case - DIN Flange (FD)	
	Special Order	5238-1	150 Case - DIN Flange (FD)	
5	Special Order	2-133 ^{2,3}	Seal Housing O-Ring	1
6	Special Order	5244-1X	Seal Housing Assembly	1
7	Special Order	Not Sold Separately ³	Seal Sub Assembly	1
8	Special Order	2-018 ^{2,3}	Seal Sleeve O-Ring	1
9	Special Order	Not Sold Separately ³	Seal Sleeve Assembly	1
10	Special Order	2760-88 ³	7/8" Retainer Ring	1
11	Special Order	5240-060	060 Impeller (Bronze)	1
	Special Order	5240-75	075 Impeller (Bronze)	
	141178	5240	150 Impeller (Bronze)	
	Special Order	5240-061	060 Impeller (Stainless Steel)	
	Special Order	5240-751	075 Impeller (Stainless Steel)	
	Special Order	5240-1	150 Impeller (Stainless Steel)	
	Special Order	5240-062	060 Impeller (Steel)	
	Special Order	5240-752	075 Impeller (Steel)	
	Special Order	5240-2	150 Impeller (Steel)	
12	Special Order	4244 ³	Impeller Key	1
13	141179	2-260 ^{A2,3}	Case O-Ring	1
14	141181	5248 ⁴	Case Clearance Shim	1

Ref No.	Item Number	Part Number	Description	Qty.
15	Special Order	5239-0690	060 - Cover	1
	Special Order	5239-75	075 - Cover	1
	Special Order	5239	150 - Cover	1
16	Special Order	7301-140MC040A	M14-2 X 40 mm Hex Head Bolt	4
17	Special Order	3226	Shaft Key	1
18	Special Order	3227	Bearing Plate	1
19	Special Order	2158	Grease Zerk	2
20	140817	2159	Lubricap	2
21	140855	2759	Single Row Ball Bearing	1
22	Special Order	5241-1	Shaft	1
23	141020	5000-281	Retainer Ring	1
24	140853	2758	Double Row Ball Bearing	1
25	140962	5102-118	Retainer Ring	1
26	140559	1006	Grease Seal	1
27	140666	1238	Bearing Cap	1
28	140963	5002-281	Retainer Ring	1
29	Special Order	1010-3	Mounting Frame	1
30	Special Order	7302-100MC020A	M10-1.5 X 22mm Allen Head Bolt	4
31	141180	3189-1XA ^{6²}	Seal Assembly	1

Buna-N Standard O-Ring Material

¹ Registered trademarks of the DuPont Company.

² Denotes O-Ring code. See chart above for details.

³ Included in seal assembly 3189-1X_6².

⁴ The case clearance shim only applies to models prior to serial number prefix YU. For a complete explanation of Corken's serial number prefix codes, see page A400 (latest version) located in the "Policy and Prices" section of your sales catalog or service manual.

Corken Coro-Vane Bare Pumps				
Item Number	Part Number	Inlet	Outlet	Flow Rate
140050	521EGAE	2" FNPT	2" FNPT	45-80 GPM
140120	1021EGAMM	3" FNPT	3" FNPT	80-180 GPM
140193	Z2000HGAEU	2" FNPT	2" FNPT	40-85 GPM
140121	Z3500HGAMT	3" FNPT	3" FNPT	55-190 GPM
140185	Z4500HGASP	4" 300# Flange	3" 300# Flange	188-386 GPM

Z3500 is a Direct Replacement for Blackmer LGLD3F.



Z3500



521 / 1021



Z4500

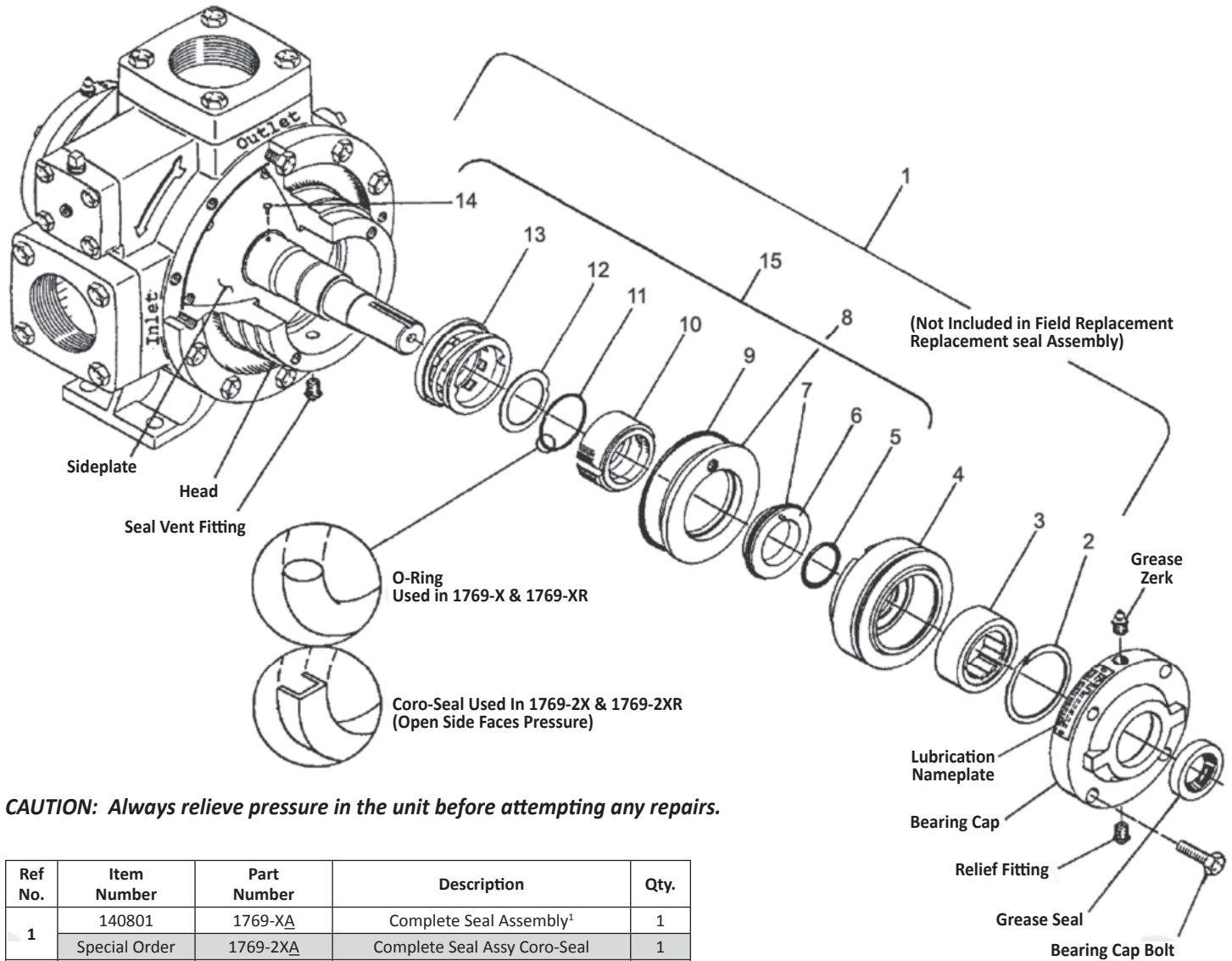
Corken Coro-Vane Base Mounted Pumps				
Item Number	Part Number	RPM	3 Phase Motor - HP	Frame Size
140062	521EGAE-103-9-640-184T	640	5	184T
140187	Z2000HGAEU-103-9-640-184T			
140137	1021EGAMM-103-10-640-215T		10	215T
140131	Z3500HGAMT-103-10-640-215T			
140186	Z4500HGASP-103-15-640-256T		20	256T

103 Style - Mounting includes steel baseplate, adjustable driver side base, V-belt drive and enclosed belt guard. Motor Sold Separately.



103 Pump Series

1769-XRA Seal Assembly Parts Details for Models 521 & 1021



CAUTION: Always relieve pressure in the unit before attempting any repairs.

Ref No.	Item Number	Part Number	Description	Qty.
1	140801	1769-XA	Complete Seal Assembly ¹	1
	Special Order	1769-2XA	Complete Seal Assy Coro-Seal	1
2	140854	2760-244	Retainer Ring	1
3	140850	2754-X	Roller Bearing — Complete	1
	140827	2754	Bearing Outer Race	1
	140852	2755	Bearing Inner Race	1
4	140800	1769	Bearing Housing	1
5	140935	2-128A ³	Shaft O-Ring ¹	1
6	-----	-----	Seat	1
7	140931	2-227A	Seat O-Ring ¹	1
8	140824	1822	Seat Adapter Plate	1
9	140945	2-240A	Adapter Plate O-Ring ¹	1
10	-----	-----	Carbon	1
11	140936	2-223A	Rotor O-ring ¹	1
12	-----	-----	Disc	1
13	-----	-----	Retainer Assembly	1
14	Special Order	2701	Drive Pin	1
15	140802	1769-XRA	Field Replacement Seal Assembly ¹	1
	Special Order	1769-2XR_	Fiel Repl. Seal Assy Coro-Seal ¹	1

O-Ring Code	
A	Buna-N
B	Neoprene ^{® 2}
D	Viton ^{® 2}
E	Teflon ^{® 2}

¹ _Denotes O-Ring code. See chart to the right for details.

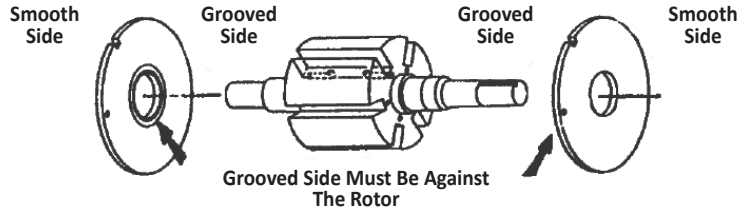
² Registered Trademark of the DuPont Company.

³ Available in Buna-N only.

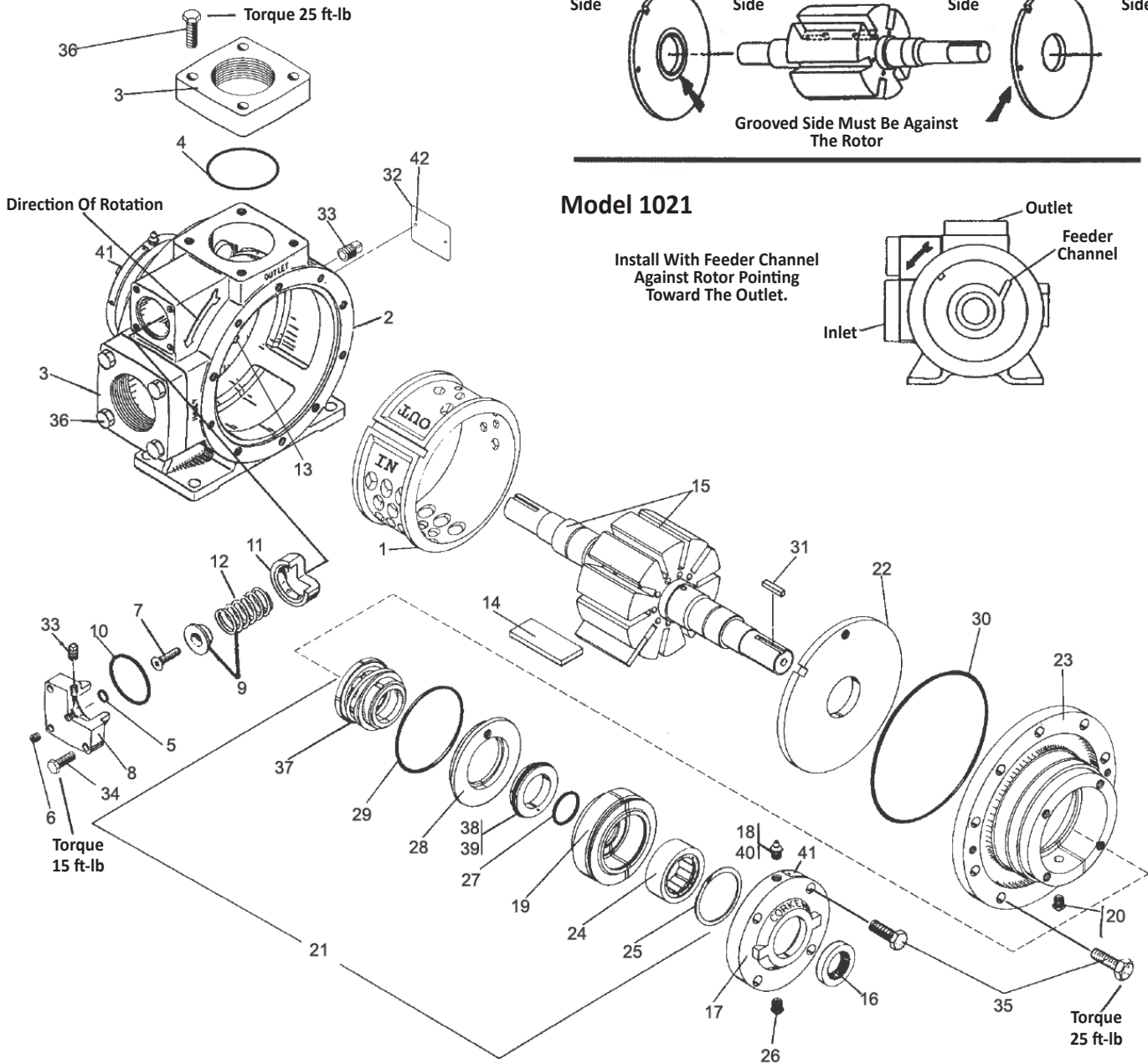
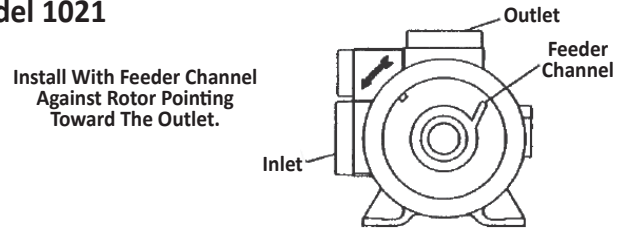
Parts Details for Models 521 & 1021

CAUTION: Always relieve pressure in the unit before attempting any repairs.

Model 521



Model 1021



Buna-N Standard O-Ring Material

Ref No.	Item Number	Part Number	Description	Qty.
1	140610	1162-2	Cam (521)	1
	140650	1201-2	Cam (1021)	1
2	Special Order	2832	Case (521)	1
	Special Order	2841	Case (1021)	1
3	140628	1172-2.5 ³	2.5" Flange (521)	1
	140627	1172-2 ³	2" Flange (521)	1
	140651	1206-3 ⁴	3" Flange (1021)	2
4	140940	2-234A ²	Flange O-Ring (521)	2
	140946	2-245A ²	Flange O-Ring 3" (1021)	2
	140949	2-249A ²	Flange O-Ring 4"(1021)	2
5	140930	2-112A ²	Adjusting Screw O-Ring	1
6	140842	2590	Flush Steel Plug 1/8" NPT	1
7	140814	2252	Relief Valve Adjusting Screw	1
8	140617	1174	Valve Cap (521)	1
	140653	1207	Valve Cap (1021)	1
9	140724	1242-X	Relief Valve Spring & Guide (521)	1
	140658	1227	Relief Valve Spring Guide (1021)	1
10	140938	2-224A ²	Relief Valve Cap O-Ring (521)	1
	140939	2-228A ²	Relief Valve Cap O-Ring (1021)	1
11	140717	1241	Relief Valve (521)	1
	140656	1224	Relief Valve (1021)	1
12	Special Order	1242	Relief Valve Spring (521)	1
	140657	1226	Relief Valve Spring (1021)	1
13	Special Order	1170	Cam Key (521)	1
	Special Order	1309	Cam Key (1021)	1
14	140626	1168-7	Blade (521)	10
	140716	1308-9	Blade (1021)	10
15	140619	1166-1X1R	Rotor & Shaft Assembly (521)	1
	140654	1208-1X1R	Rotor & Shaft Assembly (1021)	1
16	140740	1358	Grease Seal	2
17	140618	1164-1	Bearing Cap	2
18	Special Order	2158	Grease Zerk 1/8" NPT	2
19	140800	1769	Bearing Housing	2
20	140725	1343	Relief Fitting (Seal Vent)	2
21	140801	1769-XA ^{1,2}	Seal Assembly	2
	140802	1769-XRA ^{1,2}	Seal Assembly — Replacement	2
22	140615	1163-2 ⁵	Sideplate (521)	2
	140660	1209-1 ⁵	Sideplate (1021)	2
23	Special Order	1161-4	Head (521)	2
	140652	1205-4	Head (1021)	2
24	140850	2754-X	Roller Bearing — Complete	2
	140852	2755	Bearing Inner Race	2
	140827	2754	Bearing Outer Race	2
25	140854	2760-244	Retainer Ring	2
26	140725	1343	Relief Fitting (Grease)	2
27	140935	2-128A ⁷	Shaft O-Ring	2
28	Special Order	1882	Seat Adapter Plate	2
29	140945	2-240A ²	Adapter Plate O-Ring	2
30	140950	2-261A ²	Case O-Ring (521)	2
	140955	2-268A ²	Case O-Ring (1021)	2
31	140813	2270	1/4" Key	2
32	Special Order	2949	Nameplate	1
33	Special Order	3442	1/4" NPT Plug	1

Ref No.	Item Number	Part Number	Description	Qty.
34	Special Order	7001-031 NC125A	Hex Head Bolt 5/16-18 X 1 1/4" (521)	4
	140540	7001-037 NC125A	Hex Head Bolt 3/8-16 X 1 1/4" (1021)	4
35	140540	7001-037 NC125A	Hex Head Bolt 3/8-16 X 1 1/4" (521)	28
	140540	7001-037 NC125A	Hex Head Bolt 3/8-16 X 1 1/4" (1021)	32
36	Special Order	7001-037 NC150A	Hex Head Bolt 3/8-16 X 1 1/2"	8
37	-----	----- ⁵	Retainer	2
38	-----	----- ⁵	Seal Seat	2
39	140931	2-227A ²	Seal Seat O-Ring	2
40	140817	2159	Lubricap #2	2
41	Special Order	1359	Lubrication Instruction Tag	2
42	Special Order	7003-004 DR0198	Round Head Plated Drive Screw 4 X 3/16	2

Buna-N Standard O-Ring Material

¹Seal assemblies are available in two forms:

- a. Complete seal kit including bearing housing, seat adapter plate, bearings, retainer ring, seal & O-Rings. Part Number 1769-X².
- b. Field replacement seal assembly containing only the seal & O-rings Part Number 1769-XR².

²_denotes O-Ring code: See chart below for details.

O-Ring Code	
A	Buna-N
B	Neoprene ^{® 6}
D	Viton ^{® 6}
E	Teflon ^{® 6}

³Optional Flanges. (Model 521):

1172-1.5	1/2" NPT
1172-1.5S	1/2" Weld
1172-2	2" NPT
1172-2S	2" Weld
1172-2.5	2 1/2" NPT
1172-2.5S	2 1/2" Weld
1172-1.5S	1/2" Weld

⁴Optional Flanges. (Model 1021):

1206-3S	3" Weld
1206-4	4" NPT
1206-4S	4" Weld

⁵Not Available Separately

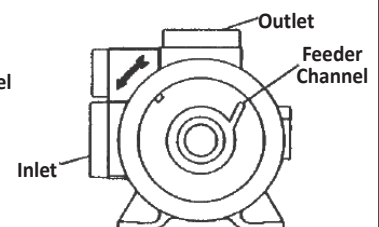
⁶Neporene[®], Viton[®], & Teflon[®] are registered Trademarks of the DuPont company.

⁷Available in Buna-N only.

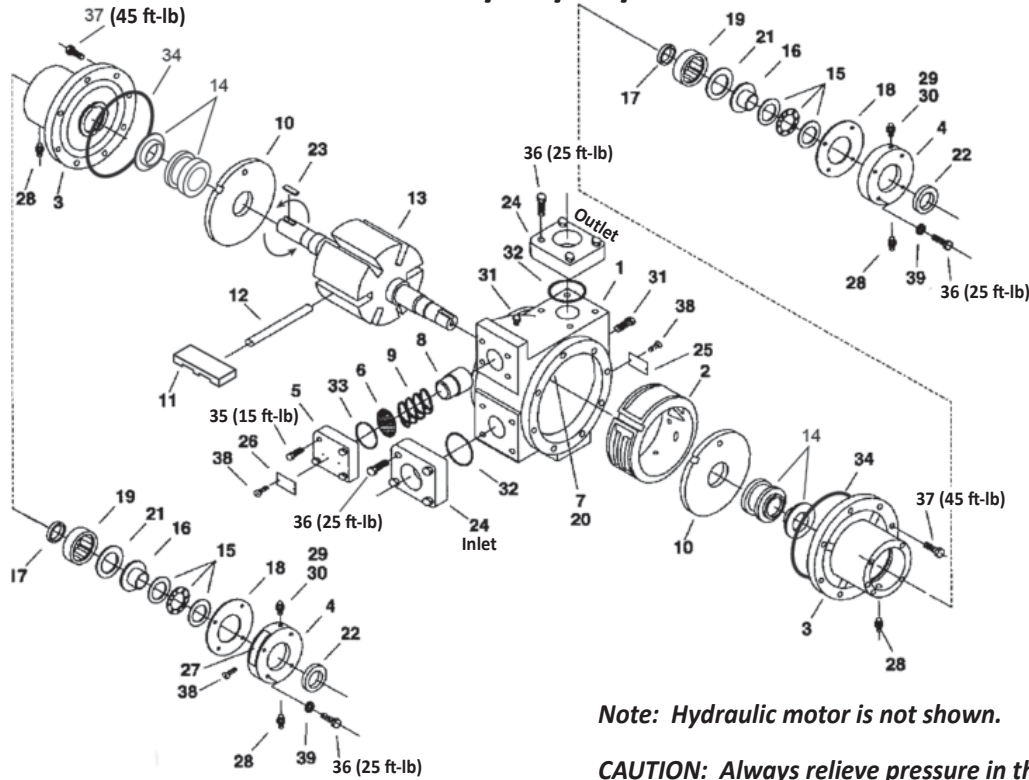
⁸Sideplate replacement instructions:

Model 1021

Install With Feeder Channel
Against Rotor Pointing
Toward The Outlet.



Parts Details for Models Z/ZH/ZX/ZXH2000



O-Ring Code	
A	Buna-N
B	Neoprene ^{® 1}
D	Viton ^{® 1}
E	Teflon ^{® 1}

**Buna-N Standard
O-Ring Material**

Note: Hydraulic motor is not shown.

CAUTION: Always relieve pressure in the unit before attempting any repairs.

Ref No.	Item Number	Part Number	Description	Qty.
1	Special Order	4413	Case	1
2	145004	4414	Cam	1
3	Special Order	4416	Head	2
4	Special Order	4417	Bearing Cap	2
5	Special Order	1174-3	Relief Valve Cap	1
6	140355	4282	Shim (Z2000, ZH2000)	1
	140355	4282	Shim (ZX2000, ZXH2000)	3
7	Special Order	4424	Cam Key	1
8	Special Order	4425	Relief Valve	1
9	Special Order	4426	Relief Valve Spring (Z2000, ZH2000)	1
	Special Order	1240	Relief Valve Spring (ZX2000, ZXH2000)	1
10	140190	4427	Sideplate	2
11	145006	4428	Vane ²	6
12	140352	4262-X	Vane Driver	3
13	140181	4430-X2R	Rotor — Shaft Assembly	1
14	140201	4431-XA ₂	Mechanical Seal Assembly ³	2
15	140500	4432	Thrust Bearing Assembly	2
16	140501	4435	Bearing Race Mounting Ring	2
17	140787	4438	Grease Seal	2
18	140502	4439	Bearing Cap Shim (.002) Red	As Req.
	140356	4439-1	Bearing Cap Shim (.010) Brown	
	140503	4439-2	Bearing Cap Shim (.020) Yellow	

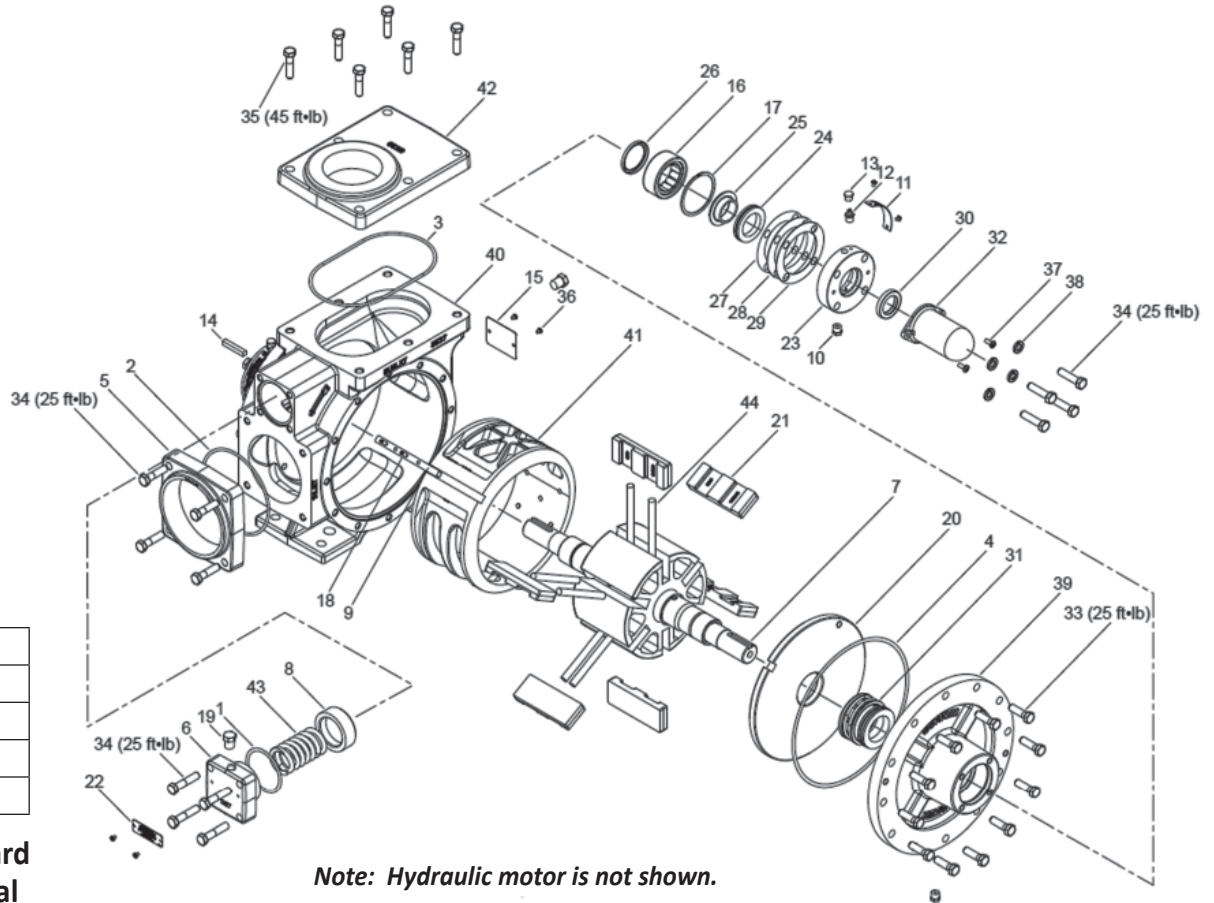
Ref No.	Item Number	Part Number	Description	Qty.
19	140850	2754-X	Bearing	2
20	140708	3253	Cam Key Pin	2
21	140854	2760-244	Retainer Ring	2
22	140511	4441	Grease Seal	2
23	140813	2270	Shaft Key — 1/4" X 1 9/16"	2
24	Special Order	4479-2	Flange — 2" NPT	2
	Special Order	4479-2S	Flange — 2" Welded	
25	Special Order	2649	Nameplate	1
26	Special Order	4248	Relief Valve Nameplate (Z2000, ZH2000)	1
	Special Order	4248-1	Relief Valve Nameplate (ZX2000, ZXH2000)	1
27	Special Order	1359	Lubrication Instruction Plate	2
28	140725	1343	1/8" NPT Relief Fitting	4
29	Special Order	2158	1/8" NPT Grease Zerk	2
30	140817	2159	Lubricap	2
31	Special Order	3442	1/4" NPT Pipe Plug	2
32	140970	2-231A	O-Ring — Flange ³	2
33	140938	2-224A	O-Ring — Relief Valve Cap ³	1
34	140950	2-261A	O-Ring — Case ³	2
35	Special Order	7001-031-NC125A	Bolt — Hexagon Head	4
36	Special Order	7001-037-NC150A	Bolt — Hexagon Head	16
37	140524	7001-043-NC125A	Bolt — Hexagon Head	16
38	Special Order	7012-006-SF025E	Screw	8
39	Special Order	7206-037A	Lock Washer	8

¹Registered trademarks of the DuPont Company.

²Slots in vanes must face TOWARDS the direction of rotation.

³Denotes O-Ring code. See chart above.

Parts Details for Models Z3500



O-Ring Code	
A	Buna-N
B	Neoprene ^{® 1}
D	Viton ^{® 1}
E	Teflon ^{® 1}

Buna-N Standard O-Ring Material

Note: Hydraulic motor is not shown.

CAUTION: Always relieve pressure in the unit before attempting any repairs.

Ref No.	Item Number	Part Number	Description	Qty.	Ref No.	Item Number	Part Number	Description	Qty.
1	140939	2-228A	O-Ring ²	1	23	Special Order	4417	Bearing Cap	2
2	140946	2-245A	O-Ring ²	1	24	140500	4432	Thrust Bearing Assembly	2
3	140631	2-259A	O-Ring ²	1	25	140501	4435	Thrust Bearing Mounting Ring	2
4	140955	2-268A	O-Ring ²	2	26	140787	4438	Grease Seal / Oil Seal	2
5	140651	1206-3	Inlet Flange — 3" NPT	1	27	140502	4439	Bearing Cap Shim (.002) Red	2
	Special Order	1206-4	Inlet Flange — 4" NPT	1	28	140356	4439-1	Bearing Cap Shim (.010) Brown	2
	Special Order	1206-3S	Inlet Flange — 3" WF	1	29	140503	4439-2	Bearing Cap Shim (.020) Yellow	2
	Special Order	1206-4S	Inlet Flange — 4" WF	1	30	140511	4441	Grease Seal	2
6	Special Order	1207-2	Relief Valve Cap	1	31	140201	4431-X2A	Mechanical Seal Assembly ²	2
7	140659	1208-1X6R	Rotor Shaft Assembly	1	32	Special Order	4985	Coro-Vane Shaft Cover	1
8	140656	1224	Relief Valve	1	33	140540	7001-037NC125A	Hex Head Bolt	24
9	Special Order	1309	Cam Key	1	34	Special Order	7001-037NC150A	Hex Head Bolt	16
10	140725	1343	Grease Relief Fitting	4	35	Special Order	7001-043NC150A	Hex Head Bolt	6
11	Special Order	1359	Lubrication Plate	2	36	Special Order	7012-006SF019E	Screw	9
12	Special Order	2158	Grease Zerk	2	37	Special Order	7012-010SF050E	Screw	2
13	140817	2159	Lubricap	2	38	Special Order	7206-037A	Lock Washer — 0.375"	8
14	140813	2270	Shaft Key — 1/4"	1	39	Special Order	5534	Head	2
15	Special Order	2649	Nameplate	1	40	Special Order	5537	Case	1
16	140827	2754	Outer Bearing	2	41	140184	5539	Cam	1
17	140854	2760-244	Retainer Ring	2	42	Special Order	5538	Outlet Flange — 3" FNPT Elongated	1
18	140708	3253	Cam Key Pin	2		Special Order	5538-3S	Outlet Flange — 3" WF Elongated	1
19	Special Order	3442	Pipe Plug — 1/4" NPT	2	43	Special Order	5548	Spring	1
20	Special Order	3935	Sideplate	2	44	Special Order	5554-X	Vane Driver	6
21	141152	3936	Vane ³	6					
22	Special Order	4248	Relief Valve Warning Tag	1					

¹ Registered trademarks of the DuPont Company.

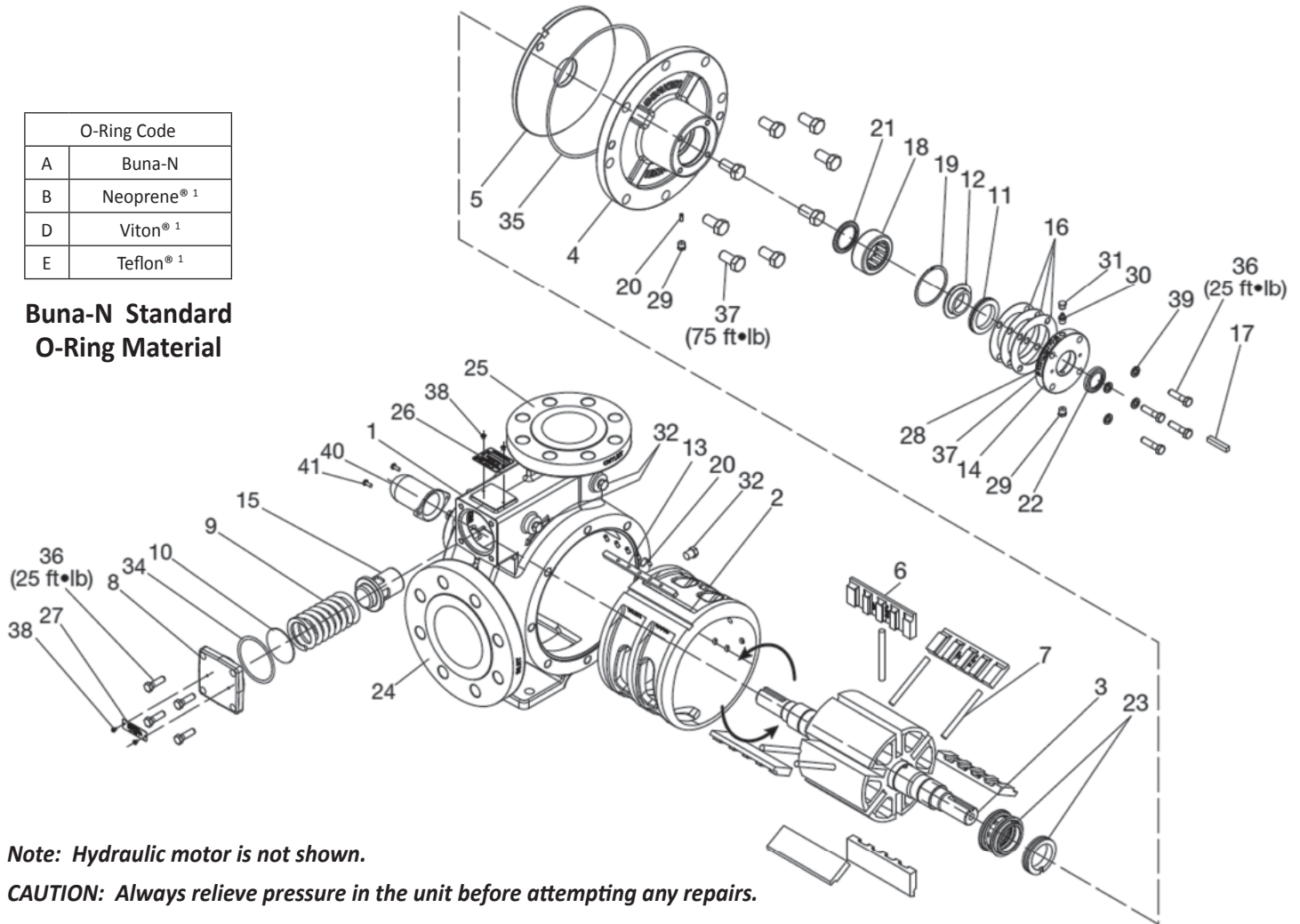
² Denotes O-Ring code. See chart above.

³ Slots in vanes must face TOWARDS the direction of rotation.

Parts Details for Models Z4500

O-Ring Code	
A	Buna-N
B	Neoprene ^{® 1}
D	Viton ^{® 1}
E	Teflon ^{® 1}

**Buna-N Standard
O-Ring Material**



Note: Hydraulic motor is not shown.

CAUTION: Always relieve pressure in the unit before attempting any repairs.

Ref No.	Item Number	Part Number	Description	Qty.
1	Special Order	5522	Case	1
2	140515	4443	Cam	1
3	140516	4444-X2R	Rotor-Shaft Assembly	1
4	Special Order	4445	Head	2
5	140512	4446	Sideplate	2
6	140198	4448	Vane ³	6
7	140513	4449-X	Vane Driver	5
8	Special Order	4450	Relief Valve Cap	1
9	Special Order	4451	Relief Valve Spring	1
10	Special Order	4452	Shim	1
11	Special Order	4453	Thrust Bearing Assembly	2
12	Special Order	4454	Bearing Race Mounting Ring	2
13	Special Order	4455	Cam Key	1
14	Special Order	4456	Bearing Cap	2
15	Special Order	4457	Relief Valve	1
16	Special Order	4458	Bearing Cap Shim (.002) Red	As Req.
	Special Order	4458-1	Bearing Cap Shim (.010) Brown	
	Special Order	4458-2	Bearing Cap Shim (.020) Yellow	
17	Special Order	4459	Shaft Key — 5/16" X 1 3/4"	1
18	Special Order	4460-X	Roller Bearing	2

Ref No.	Item Number	Part Number	Description	Qty.
19	Special Order	2760-283	Retainer Ring	2
20	140708	3253	Cam Key Pin	5
21	Special Order	4462	Grease Seal	2
22	140514	4463	Grease Seal	2
23	140199	4464-X ²	Mechanical Seal Assembly ²	2
24	-----	-----	Inlet Flange — 4" ANSI	1
25	-----	-----	Outlet Flange — 3" ANSI	2
26	Special Order	2649	Nameplate	1
27	Special Order	4248	Relief Valve Nameplate	1
28	Special Order	1359	Lubrication Instruction Plate	2
29	140725	1343	1/8" NPT Relief Fitting	4
30	Special Order	2158	1/8" NPT Grease Zerk	2
31	140817	2159	Lubricap ²	2
32	Special Order	3442	1/4" NPT Pipe Plug	2
33	140970	2-231A	O-Ring — Discharge Flange ²	2
34	140940	2-234A	O-Ring — Auxiliary Inlet Flange ²	1
35	140971	2-270A	O-Ring — Case ²	2
36	Special Order	7001-037NC150A	Bolt — Hexagon Head	24
37	Special Order	7001-062NC125A	Bolt — Hexagon Head	16
38	Special Order	7012-006SF019E	Screw	8
39	Special Order	7206-037A	Lock Washer	8
40	Special Order	4985	Shaft Cover	1
41	Special Order	7012-010SF050E	Screw	2

¹ Registered trademarks of the DuPont Company.

² Denotes O-Ring code. See chart above.

³ Slots in vanes must face TOWARDS the direction of rotation.

Corken Repair Kits & Parts



Coro-Vane Pump Repair Kits					
Item Number	140874	140900	140882	140890	140894
Part Number	2904-X2	3109-X1	2905-X5	2906-X2	2907-X3
Model Numbers	521E 522E T522E TR522E	T522G TR522G	T722G TR722G	1021E 1022E F1021E F1022E	F1521F F1522F T1522F TR1522F
Seal Assembly *	1769-XRA (2)*	1769-XRA (2)*	1769-XRA (2)*	1769-XRA (2)*	1769-XRA (2)*
Bearings	2754-X (2)	2754-X (2)	2754-X (2)	2754-X (2)	2754-X (2)
Bearing	----	3209	3209	----	3209
Grease Seals	1358 (2)	1358 (2)	1358 (2)	1358 (2)	1358 (2)
Grease Seal	2014	2014	2014	2014	2014
Vanes	1168-7 (10)	4000 (6)	3981 (6)	1308-9 (10)	3477 (6)
Sideplates **	1163-2 (2) **	3932 (2) **	3932 (2) **	1209-1 (2) **	3476 L/R (1/1) **
Flange Gasket	2010 (3)	2010 (2)	2010 (2)	----	-----
Case O-Ring *	2-261A (2) *	2-261A (2) *	2-261A (2) *	2-268A (2) *	2-268A (2) *
Flange O-Ring *	2-234A (2) *	2-234A (2) *	2-234A (2) *	2-245A (2) *	2-245A *
Flange O-Ring *	----	----	----	2-249A (2) *	2-234A (3) *
Flange O-Ring *	----	----	----	----	2-249A
R.V. O-Ring *	2-224A *	----	----	2-228A *	----
R.V. O-Ring *	2-112A *	----	----	2-112A *	----
R.V. O-Ring *	2-227A (2) *	2-277A (2) *	2-277A (2) *	----	2-238A *
Rotor & Shaft **	1166-1X1R **	----	----	1208-1X1R **	3350-1X1R **
Rotor & Shaft ** #	1166-1X2R ** #	1166-1X2R ** #	3983-X2R ** #	1208-1X2R ** #	3350-1X2R ** #
Cam **	1162-2 **	1162-2 **	1849-1 **	1201-2 **	1792-1 **

* All repair kits are furnished with Buna-N O-Rings which are suitable for LP-Gas applications.

** These items are not in the repair kits.

For use on 522, 722, 1022, and 1522 pumps only.

Coro-Vane Pump Parts						
Part Description	For 521 Pumps			For 1021 Pumps		
	Item Number	Part Number	Quantity Needed	Item Number	Part Number	Quantity Needed
Seal Assembly	140802	1769-XRA	2 Pcs.	140802	1769-XRA	2 Pcs.
Bearings	140850	2754-X	2 Pcs.	140850	2754-X	2 Pcs.
Grease Seals	140740	1358	2 Pcs.	140740	1358	2 Pcs.
Grease Seal	140811	2014	1 Pc.	140811	2014	1 Pc.
Blades	140626	1168-7	10 Pcs.	140716	1308-9	10 Pcs.
Sideplates	140615	1163-2	2 Pcs.	140660	1209-1	2 Pcs.
Rotor & Shaft	140619	1166-1X1R	1 Pc.	140654	1208-1X1R	1 Pc.
Cam	140610	1162-2	1 Pc.	140650	1201-2	1 Pc.

Coro-Vane Pump Repair Kits				
Item Number	140195	140196	140202	140197
Part Number	3193-X1	3195-X1	3195-X2	3197-X1
Model Numbers	Z2000	Z3200	Z3500	Z4200 Z4500
Seal Assembly *	4431-XA2 (2) *	4431-XA2 (2) *	4431-XA2 (2) *	4431-XA2 (2) *
Bearings	2754-X (2)	2754-X (2)	2754-X (2)	4460-X (2)
Bearing	4432 (2)	4432 (2)	4432 (2)	4453 (2)
Grease Seals	4441 (2)	4441 (2)	4441 (2)	4463 (2)
Grease Seal	----	----	----	----
Blades	4428 (6)	4232 (6)	3936 (1)	4448 (6)
Sideplates **	4427 (2) **	4231 (2) **	3935 (2) **	4446 (2) **
Flange Gasket	----	----	----	----
Case O-Ring *	2-261A (2) *	2-261A (2) *	2-268A (2) *	2-270A (2) *
Flange O-Ring *	2-231A (2) *	2-234A (2) *	2-245A (2) *	2-231A *
Flange O-Ring *	----	----	----	----
Flange O-Ring *	----	----	----	----
R.V. O-Ring *	2-224A *	2-224A *	2-228A *	2-234A *
R.V. O-Ring *	----	----	----	----
R.V. O-Ring *	----	----	----	----
Rotor & Shaft **	4430-X2R **	4495-X2R **	4495-X2R **	4444-X2R **
Rotor & Shaft **	----	----	----	----
Cam **	4414 **	4242 **	5539 **	4443 **
Mounting Ring	4432 (2)	4432 (2)	4435 (2)	4452 (2)
Pin Drivers	4262-X (3)	4262-X (3)	4262-X (3)	4449-X (3)
Shim (0.002)	4439 (8)	4439 (8)	4439 (8)	4458 (8)
Shim (0.010)	4439-1 (2)	4439-1 (2)	4439-1 (2)	4458-1 (2)
Shim (0.020)	4439-2 (2)	4439-2 (2)	4439-2 (2)	4458-2 (2)

* All repair kits are furnished with Buna-N O-Rings which are suitable for LP-Gas applications.

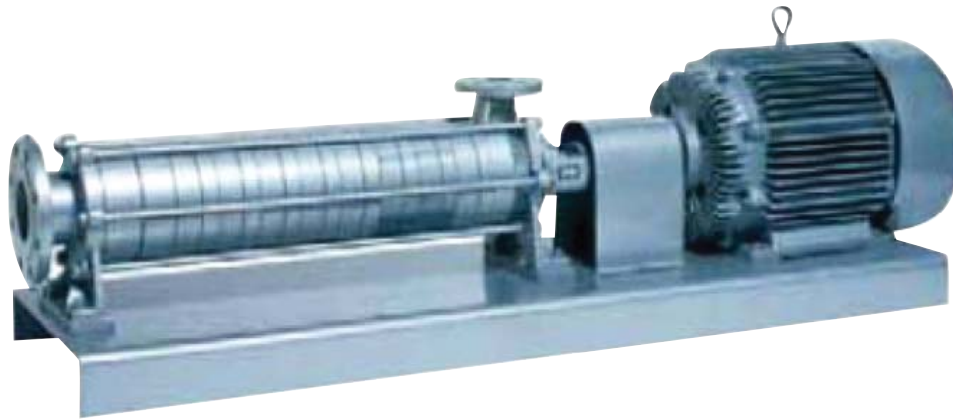
** These items are not in the repair kits.

Coro-Vane Pump Parts						
Part Description	For Z2000 Pumps			For Z3500 Pumps		
	Item Number	Part Number	Quantity Needed	Item Number	Part Number	Quantity Needed
Seal Assembly	140201	4431-XA2	2 Pcs.	140201	4431-XA2	2 Pcs.
Bearings	140850	2754-X	2 Pcs.	140850	2754-X	2 Pcs.
Bearing	140500	4432	2 Pcs.	140500	4432	2 Pcs.
Grease Seals	140511	4441	2 Pcs.	140511	4441	2 Pcs.
Blades	145006	4428	6 Pcs.	141152	3936	6 Pcs.
Sideplates	140190	4427	2 Pcs.	140182	3935	2 Pcs.
Rotor & Shaft	140181	4430-X2R	1 Pc.	140998	4495-X2R	1 Pc.
Cam	145004	4414	1 Pc.	140184	5539	1 Pc.

Corken Side Channel & Z-Series Pumps



Corken Side Channel Pumps						
Specifications	Model					
	10	20	30	40	50	60
Number of Stages	1 to 8					
Inlet - 300# Ansi Flange	1 1/2"	2 1/2"	2 1/2"	3"	4"	4"
Outlet - 300# Ansi Flange	3/4"	1 1/4"	1 1/4"	1 1/2"	2"	2 1/2"
Differential Pressure	10-150 PSIG	15-230 PSIG	10-180 PSIG	10-175 PSIG	10-210 PSIG	10-250 PSIG



Side Channel Pump

Corken Z-Series Bare Truck Pumps					
Item Number	Part Number	Inlet	Outlet	Weight Lbs.	Flow Rate
140193	Z2000HGAEU	2" FNPT	2" FNPT		40-85 GPM
140191	Z3200HGAPGE	3" 300# Ansi Flange	2" FNPT Elbow	140	63-121 GPM
140194	Z4200HGASEE	4" 300# Ansi Flange	2" Dual FNPT	275	200-400 GPM

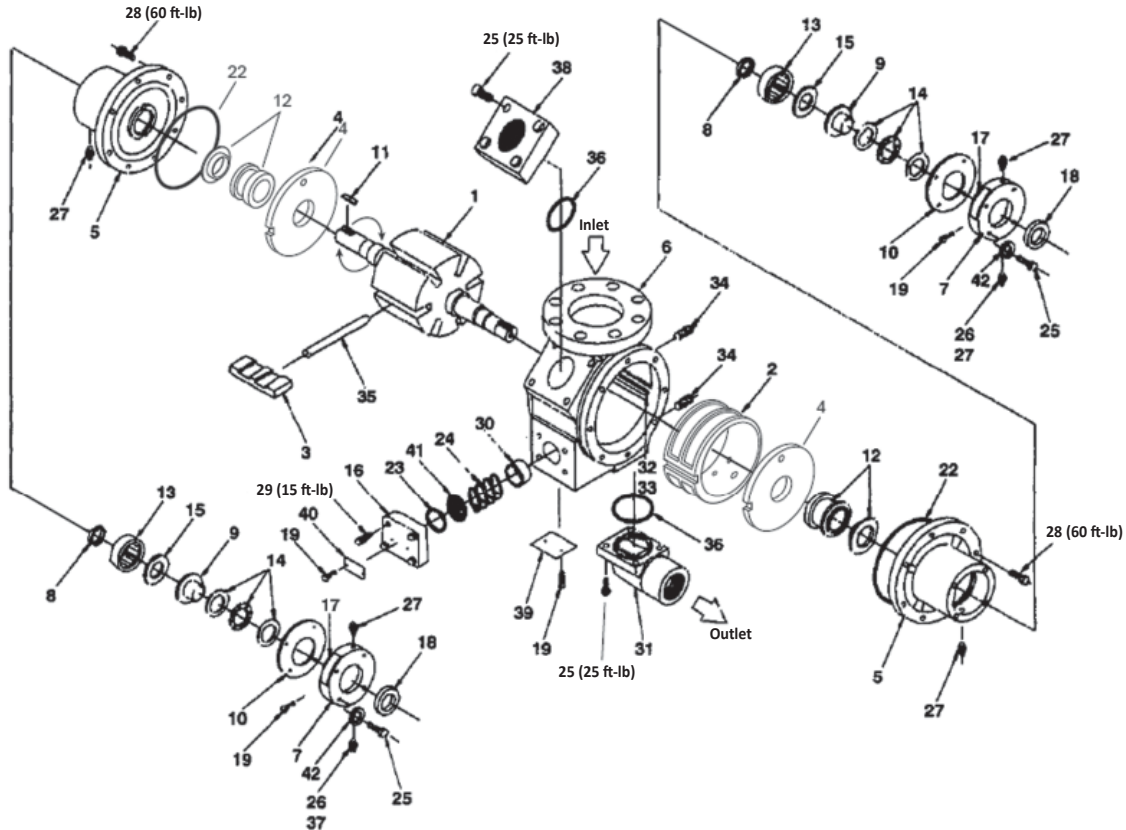


Z3200



Z4200

Parts Details for Models Z/ZH3200



O-Ring Code	
A	Buna-N
B	Neoprene ^{® 1}
D	Viton ^{® 1}
E	Teflon ^{® 1}

Buna-N Standard O-Ring Material

Note: Hydraulic motor is not shown.

CAUTION: Always relieve pressure in the unit before attempting any repairs.

Ref No.	Item Number	Part Number	Description	Qty.
1	140998	4495-X2R	Rotor Shaft Assembly	1
2	140353	4242	Cam	1
3	140571	4232	Vane ³	6
4	140581	4231	Sideplate	2
5	Special Order	4488	Head	2
6	Special Order	4239	Case	1
7	Special Order	4417	Bearing Cap	2
8	140787	4438	Grease Seal	2
9	140501	4435	Mounting Ring	2
10	140502	4439	Bearing Cap Shim (.002) Red	As Req.
	140356	4439-1	Bearing Cap Shim (.010) Brown	
	140503	4439-2	Bearing Cap Shim (.020) Yellow	
11	140813	2270	Shaft Key	2
12	140201	4431-XA2	Mech. Seal Assembly ²	2
13	140827	2754	Bearing Outer Race	2
14	140500	4432	Thrust Bearing Assembly	2
15	140854	2760-244	Retainer Ring	2
16	Special Order	1174-2	Relief Valve Cap	1
17	Special Order	1359	Lubrication Instruction Plate	2
18	140511	4441	Grease Seal	2
19	Special Order	7012-006SF019E	Screw	8
20	—	—	Not Shown	-
21	—	—	Not Shown	-
22	140957	2-262A	O-Ring — Case ²	2
23	140938	2-224A	O-Ring — Relief Valve Cap ²	1
24	140712	1240	Relief Valve Spring	1
25	Special Order	7001-037NC150A	Bolt — 3/8"-16 X 1 1/2" Hex Head	16

¹ Registered trademarks of the DuPont Company.

² Denotes O-Ring code. See chart above.

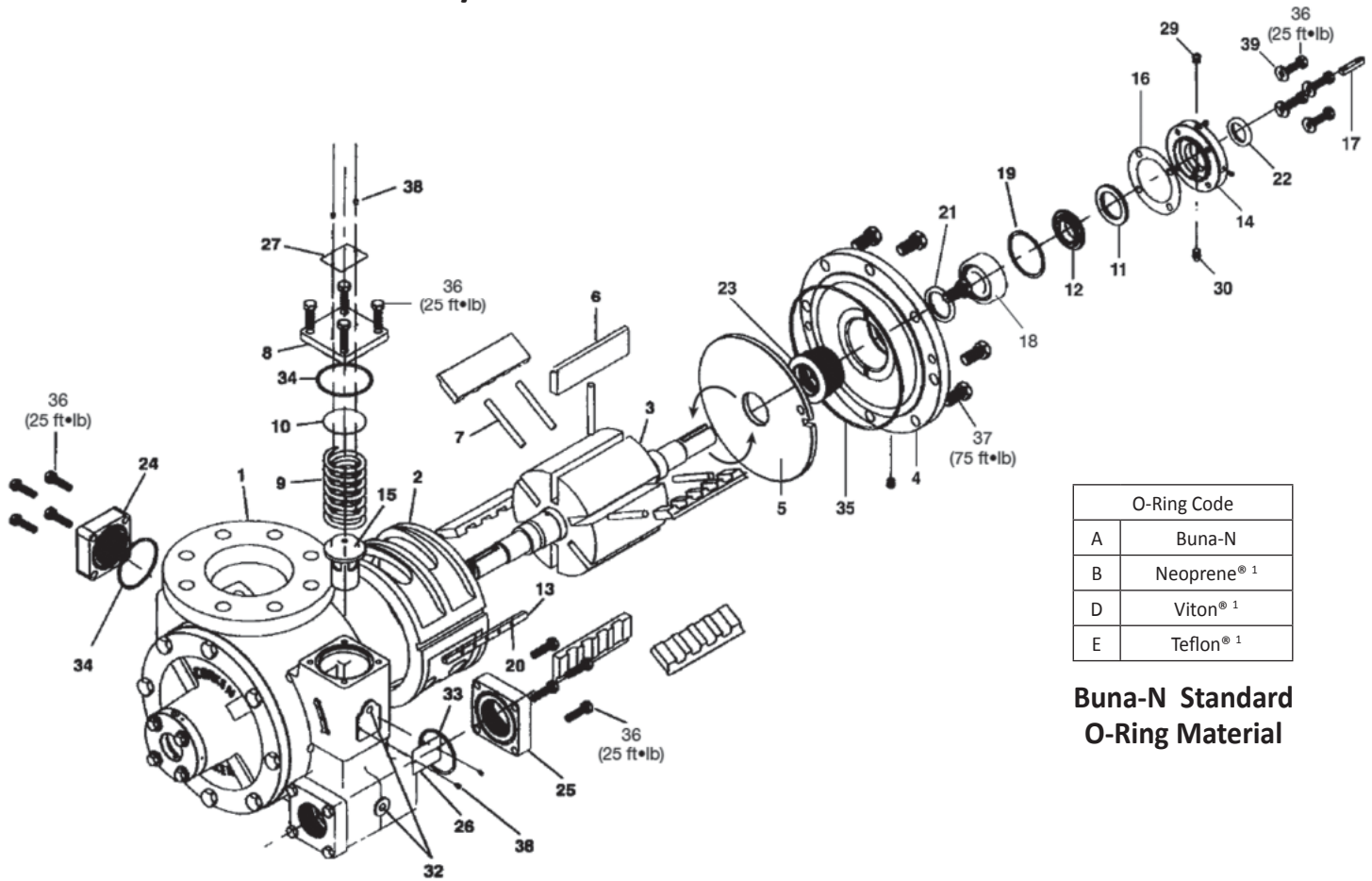
³ Slots in vanes must face TOWARDS the direction of rotation.

Ref No.	Item Number	Part Number	Description	Qty.
26	Special Order	2158	1/8" NPT Grease Zerk	2
27	140725	1343	1/8" NPT Relief Fitting	4
28	Special Order	7001-050NC150A	Bolt — 1/3"-13 X 1 1/2" Hex Head	16
29	Special Order	7001-031NC125A	Bolt — 5/16"-16 X 1 1/4" Hex Head	4
30	140717	1241	Relief Valve	1
31	Special Order	1172-1.5	Outlet Flange — 1.5" NPT	1
	Special Order	1172-1.5S	Outlet Flange — 1.5" WF	1
	140627	1172-2	Outlet Flange — 2" NPT	1
	Special Order	1172-2S	Outlet Flange — 2" WF	1
	Special Order	1947	Outlet Flange — 1.5" NPT 90°	1
	140351	4243	Outlet Flange — 2" NPT 90°	1
32	Special Order	4241	Cam Key	1
33	140708	3253	Cam Key Pin	1
34	Special Order	3442	1/4" NPT Pipe Plug	1
35	140352	4262-X	Vane Driver	3
36	140940	2-234A	O-Ring — Flange ²	1
37	140817	2159	Lubricap	2
38	Special Order	1172-1.5	Aux. Inlet Flange — 1.5" NPT	1
	Special Order	1172-1.5S	Aux. Inlet Flange — 1.5" WF	1
	140627	1172-2	Aux. Inlet Flange — 2" NPT	1
	Special Order	1172-2S	Aux. Inlet Flange — 2" WF	1
	Special Order	1920-3	Aux. Inlet Flange — Blind	1
	140351	4243	Aux. Inlet Flange — 2" NPT 90°	1
39	Special Order	2649	Nameplate	1
40	Special Order	4248	Relief Valve Nameplate	1
41	140355	4282	Relief Valve Shim	As Req.
42	Special Order	7206-037A	3/8" Lock Washer	8

Z-Series Pumps Breakdown



Parts Details for Models Z/ZH4200



O-Ring Code	
A	Buna-N
B	Neoprene ^{® 1}
D	Viton ^{® 1}
E	Teflon ^{® 1}

Buna-N Standard O-Ring Material

Note: Hydraulic motor is not shown.

CAUTION: Always relieve pressure in the unit before attempting any repairs.

Ref No.	Item Number	Part Number	Description	Qty.
1	Special Order	4442	Case ²	1
2	140515	4443	Cam ²	1
3	140516	4444-X2R	Rotor-Shaft Assembly ²	1
4	Special Order	4445	Head ²	2
5	140512	4446	Sideplate	2
6	140198	4448	Vane ³	6
7	140513	4449-X	Vane Driver	5
8	Special Order	4450	Relief Valve Cap	1
9	Special Order	4451	Relief Valve Spring	1
10	Special Order	4452	Shim	1
11	Special Order	4453	Thrust Bearing Assembly	2
12	Special Order	4454	Bearing Race Mounting Ring	2
13	Special Order	4455	Cam Key	1
14	Special Order	4456	Bearing Cap	2
15	Special Order	4457	Relief Valve	1
16	Special Order	4458	Bearing Cap Shim (.002) Red	As Req.
	Special Order	4458-1	Bearing Cap Shim (.010) Brown	
	Special Order	4458-2	Bearing Cap Shim (.020) Yellow	
17	Special Order	4459	Shaft Key — 5/16" X 1 3/4"	1
18	Special Order	4460-X	Roller Bearing	2
19	Special Order	2760-283	Retainer Ring	2

Ref No.	Item Number	Part Number	Description	Qty.
20	140708	3253	Cam Key Pin	5
21	Special Order	4462	Grease Seal	2
22	140514	4463	Grease Seal	2
23	140199	4464-XA2	Mechanical Seal Assembly ²	2
	140627	1172-2	Aux. Inlet Flange — 2" NPT	1
	Special Order	1172-2S	Aux. Inlet Flange — 2" WF	1
24	Special Order	1920-3	Aux. Inlet Flange — 2" Blind	1
	Special Order	4479-2S	Discharge Flange — 2" WF	2
25	Special Order	4981-2	Discharge Flange — 2" NPT	
	Special Order	2649	Nameplate	1
26	Special Order	2649	Nameplate	1
27	Special Order	4248	Relief Valve Nameplate	1
28	Special Order	1359	Lubrication Instruction Plate	2
29	140725	1343	1/8" NPT Relief Fitting	4
30	Special Order	2158	1/8" NPT Grease Zerk	2
31	140817	2159	Lubricap ²	2
32	Special Order	3442	1/4" NPT Pipe Plug	2
33	140970	2-231A	O-Ring — Discharge Flange ²	2
34	140940	2-234A	O-Ring — Auxiliary Inlet Flange ²	1
35	140971	2-270A	O-Ring — Case ²	2
36	Special Order	7001-037NC150A	Bolt — Hexagon Head	24
37	Special Order	7001-062NC125A	Bolt — Hexagon Head	16
38	Special Order	7012-006SF019E	Screw	8
39	Special Order	7206-037A	Lock Washer	8

¹ Registered trademarks of the DuPont Company.

² Denotes O-Ring code. See chart above.

³ Slots in vanes must face TOWARDS the direction of rotation.

Corken Bare Compressor with Flywheel

Item Number	Part Number
140200	91AJ3FBANSNN
140211	291AM3FBANSNN
140221	491AM3FBANSNN
140231	691AM3FBANSNN



291



491

Approx. Capacity GPM (Lit/Min) **		Compressor Model Size	Motor Size Horsepower *
Butane	Propane		
22 (83)	-----	91	3/4
30 (114)	-----		1
34 (129)	22 (83)		1 1/2
-----	28 (106)		2
-----	44 (166)		3
34 (129)	-----	291	1 1/2
50 (189)	-----		2
67 (254)	44 (166)		3
-----	77 (291)		5
-----	88 (333)		7 1/2
72 (273)	-----	491	3
121 (458)	77 (291)		5
153 (579)	110 (416)		7 1/2
-----	148 (560)		10
-----	198 (749)		15
-----	-----	691	5
180 (681)	-----		7 1/2
259 (980)	132 (500)		10
-----	198 (749)		15
-----	265 (1,003)		20
-----	330 (1,249)	25	

* The driver horsepower shown is based upon recovering residual vapors in moderate climates.

** Optional ductile iron units are rated for 335 psig (23.1 bars).

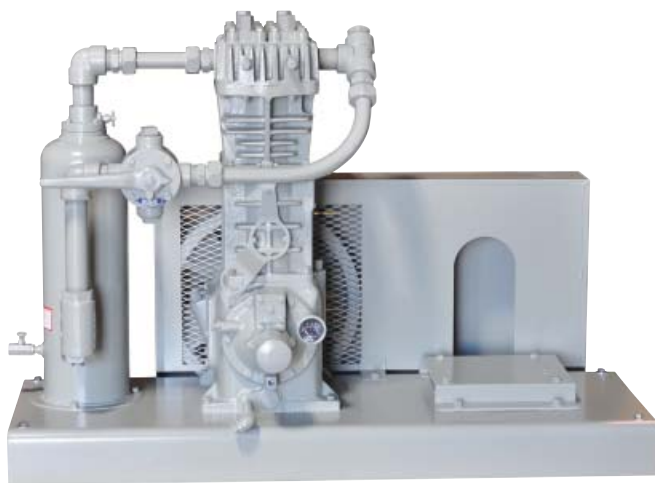
Specification	Model Size			
	91	291	491	691
Number of Stages	1	1	1	1
Number of Cylinders	1	2	2	2
Bore of Cylinders — Inches (cm)	3 (7.62)	3 (7.62)	4 (10.16)	4 1/2 (11.43)
Stroke — Inches (cm)	2 1/2 (6.35)	2 1/2 (6.35)	3 (7.62)	4 (10.16)
Piston Displacement — CFM (m3/hr.)				
Minimum @ 400 RPM	4 (6.8)	8 (13.6)	17 (28.9)	29 (49.3)
Maximum @ 825 RPM	8 (13.6)	16 (27.2)	36 (61.2)	60 (102)
Max. Discharge Pressure — PSIG (bar - g) *	335 (23.1)	250 (17.2) **	250 (17.2) **	250 (17.2) **
Max. Compression Ratio — Continuous Duty	5	5	(5)	5
Max. Compression Ratio — Intermittent Duty	7	7	7	7
Maximum Allowable Driver Size — Hp.	7 1/2	15	15	30

* Compression Ratio is defined as Discharge Pressure Absolute (psig or bars absolute) divided by Inlet Pressure Absolute (psig or bars absolute).

** Optional ductile iron units are rated for 335 psig (23.1 bars).

Corken Base Mounted Compressors				
Item Number	Part Number	RPM	3 Phase Motor - HP	Frame Size
140250	91AJ3FBANSNN-107-1-695-184T	695	5	184T
140261	291AM3FBANSNN-107-3-695-184T		10	
140271	491AM3FBANSNN-107-5-670-215T	670	15	215T
140281	691AM3FBANSNN-107-7-640-256T	640	20	256T

107 Style - Mounting includes steel baseplate, mechanical liquid trap, non-lube 4-way valve, interconnecting piping, strainer, adjustable driver side base, V-belt drive and enclosed belt guard. Pressure gauges are mounted on the compressor. Motor Sold Separately.



491-107

Corken Flo-Check		
Item Number	Part Number	Inlet & Outlet
140375	FC125AA	1 1/4" FNPT
140376	FC150AC	1 1/2" FNPT
140377	FC200AE	2" FNPT
140378	FC250AJ	2 1/2" FNPT
140379	FC300AM	3" FNPT
140380	FC400AQ	4" FNPT



FC300AM

Corken Pressure Gauge	
Item Number	Part Description
290636	0-400 1/4" Back Mounted Liquid Filled Gauge

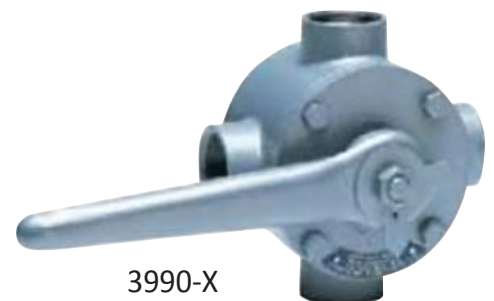


290636

Corken Accessories		
Item Number	Part Number	Part Description
140390	3989-X	1" 4-Way Valve
140902	3122-X	Repair Kit for 3989-X
140391	3990-X	1 1/4" 4-Way Valve
140903	3123-X	Repair Kit for 3990-X
140732	1836-X	1 1/4" Liquid Strainer



1836-X



3990-X

91 Compressor Parts

Item Number	Part Number	Description	Qty.
141061	3483-1X1 *	Suction Valve	1
140914	3485-X *	Discharge Valve	1
140735	1367 *	Connecting Rod Bearing	1 Pair
140745	1452-1X1 *	Packing Set	1
140806	1772 *	Piston Rings	3
140799	1775 *	Ring Expander	3
140843	2526-XA *	Gasket Set	1
Special Order	3259 *	Oil Seal	1
140605	1132-X2	Crosshead Assembly	2
140969	1983-X	Piston Assembly	2
140944	2-235A	Head O-Ring	2
140921	3550-X1	Repair Kit *	1

291 Compressor Parts

Item Number	Part Number	Description	Qty.
141061	3483-1X1 *	Suction Valve	2
140914	3485-X *	Discharge Valve	2
140735	1367 *	Connecting Rod Bearing	2 Pair
140745	1452-1X1 *	Packing Set	2
140806	1772 *	Piston Rings	6
140799	1775 *	Ring Expander	6
140665	1281-XA *	Gasket Set	1
140667	1278 *	Oil Seal	1
140605	1132-X2	Crosshead Assembly	2
140969	1983-X	Piston Assembly	2
140944	2-235A	Head O-Ring	2
140921	3550-X1	Repair Kit *	1

691 Compressor Parts

Item Number	Part Number	Description	Qty.
141023	3948-X *	Suction Valve	2
141026	3857-X *	Discharge Valve	2
140978	2797 *	Valve Cage	4
140739	1719 *	Connecting Rod Bearing	2 Pair
140782	1725-2X *	Packing Set	2
140783	1739 *	Piston Rings	6
140784	1740 *	Ring Expander	6
141143	1744-X1A *	Gasket Set	1
140993	1717-X1	Crosshead Assembly	2
Special Order	1987-X1	Piston Assembly	2
140976	1744	Head Gasket	2
140923	3552-X1	Repair Kit *	1

Above parts for Model Numbers 690K3 & 691P3 (1 5/8" Crankshaft)

All Repair Kits are Furnished with Buna-N O-Rings.

Provide Model & Serial Number when Ordering Parts.

* These Parts are Included in Repair Kits.

491 Compressor Parts

Item Number	Part Number	Description	Qty.
141067	2532-1X *	Suction Valve	2
140828	2439-X *	Discharge Valve	2
140864	2448 *	Valve Cage	4
140760	1491 *	Connecting Rod Bearing	2 Pair
140745	1452-1X1 *	Packing Set	2
140759	1773 *	Piston Rings	6
140761	1776 *	Ring Expander	6
140755	1481-XA *	Gasket Set	1
140714	2-242A *	O-Ring	2
141142	2-253A *	O-Ring	2
140764	1507 (490 Only) *	Oil Seal	1
140787	4438 (491 Only) *	Oil Seal	1
140733	1486 *	Adapter Plate Gasket	1
140746	1384-X	Crosshead Assembly	2
140701	1985-X	Piston Assembly	2
140754	1481	Head Gasket	2
140922	3551-X1	Repair Kit *	1

691 Compressor Parts

Item Number	Part Number	Description	Qty.
141023	3948-X *	Suction Valve	2
141026	3857-X *	Discharge Valve	2
140978	2797 *	Valve Cage	4
140739	1719 *	Connecting Rod Bearing	2 Pair
140782	1725-2X *	Packing Set	2
140783	1739 *	Piston Rings	6
140784	1740 *	Ring Expander	6
141143	1744-X1A *	Gasket Set	1
140950	2-261A *	O-Ring	2
140786	3526 *	Oil Seal	1
140892	3544-X4	Crosshead Assembly	2
Special Order	1987-X1	Piston Assembly	2
140950	2-261A	Head O-Ring	2
141030	3552-X2	Repair Kit *	1

Above parts for Model Numbers 690M3 & 691M3 (2 1/8" Crankshaft)

Baldor Motors				
Item Number	Part Number	Horsepower	Frame Size	Specifications
140400	EM7037T	2	145T	Class 1 Group D Explosion Proof 3-Phase 50/60 Hz 1800 RPM
140405	EM7042T	3	182T	
140410	EM7044T	5	184T	
140415	EM7047T	7.5	213T	
140420	EM7170T-I		215T	
140425	EM7054T	15	254T	
140430	EM7056T	20	256T	
140435	EM7058T	25	284T	

Single Phase Available (Will Change Frame Size).



EM7042T



EM7056T

Bare Pumps				
Item Number	Part Number	Inlet	Outlet	Flow Rate
142052	LGLD2E-440QA1B10000N	2" FNPT	2" FNPT	18-115 GPM
142058	LGLD3F-440QA1B10000N	3" FNPT	3" FNPT	35-230 GPM
142036	LGLD4B-440Q2B100001			90-400 GPM

LGLD3F is a Direct Replacement for Corken Z3500.



LGLD2E



LGLD3F

Blackmer Pump Repair Kits					
Item Number	142513	142516	142518	142538	142533
Part Number	898994	898917	898918	898919	898976
Model Numbers	LGF1E, LGB1E, LGF1PE & LGB1PE	LGRL1.25 LGRF 1.25A (4 Vane) <u>LGRLF1.25</u>	LGL1.25 LGLF 1.25A (4 Vane) <u>LGLF1.25</u>	LGL1.5 LGLF1.5A (4Vane)	LGRL1.25, LGLF1.25A LGL1.25, LGLF1.25A LGL1.5, LGLF1.5A (8 Vane)
Relief Valve Spring	472901 (1)	471428 (1)	471428 (1)	471428 (1)	471428 (1)
O-Ring (Spring Guide)	711940 (1) *	-----	-----	-----	-----
Relief Valve	452901 (1)	453077 (1)	453077 (1)	453077 (1)	453077 (1)
O-Ring (R/V Cover)	701965 (1) *	711924 (1) *	711924 (1) *	711924 (1) *	711924 (1) *
O-Ring (R/V Cap)	-----	701949 (1) *	701949 (1) *	701949 (1) *	701949 (1) *
Vanes - Set	092913 (6) *	093088 (4) *	093088 (4) *	093088 (4) *	093088 (8) *
Push Rod	-----	123004 (2) *	123076 (2) *	123401 (2) *	-----
Bearings	903405 (2) *	903114 (2) *	903114 (2) *	903114 (2) *	903114 (2) *
Bearing Lockwasher	903532 (2) *	903533 (2) *	903533 (2) *	903533 (2) *	903533 (2) *
Bearing Cover Gasket	383075 (1) *	383075 (2) *	383075 (2) *	383075 (2) *	383075 (2) *
Disc	-----	063075 (2) *	063075 (2) *	063075 (2) *	063075 (2) *
O-Ring (Head)	711941 (1) *	701918 (2) *	701918 (2) *	701918 (2) *	701918 (2) *
Grease Seal	331934 (1) *	331927 (1) *	331927 (1) *	331927 (1) *	331927 (1) *
Mechanical Seal	332920 (2) *	333045 (2) *	333045 (2) *	333045 (2) *	333045 (2) *
Shaft Key	909126 (1) *	909125 (1) *	909125 (1) *	909125 (1) *	909125 (1) *

* Items included in repair kits.

Blackmer Pump Repair Kits					
Item Number	142522	142535	142539	142527	142527
Part Number	898979	898981	898980	898922	898922
Model Numbers	LGL2E LGLD2E	LGL3F LGLD3F <u>LGLE, LGLD3E</u>	TLGLF3C	LGL4A LGLD4A, LGLD4B <u>LGL4, LGLD4</u>	TLGLF4B <u>TLGLF4A</u> <u>TLGLF4</u>
Relief Valve Spring	471423 (1)	475135 (1)	471428 (1)	472039 (1)	472039 (1)
Relief Valve	454405 (1)	455129 (1)	451417 (1)	452001 (1)	452001 (1)
O-Ring (R/V Cover)	701919 (1) *	701925 (1) *	701919 (1) *	701946 (1) *	701946 (1) *
O-Ring (R/V Cap)	-----	-----	-----	701926 (1) *	701926 (1) *
Vanes - Set	091419 (6) *	095131 (6) *	095132 (6) *	092019 (6) *	092019 (6) *
Push Rod	123905 (3) * <i>Stl</i>	125110 (3) * <i>Com</i>	121607 (3) * <i>Stl</i>	122005 (3) * <i>STL</i>	122009 (3) * <i>Com</i>
Bearings	903156 (2) *	903166 (2) *	903156 (2) *	903166 (2) *	903166 (2) *
Bearing Lockwasher	903522 (2) *	903524 (2) *	903522 (2) *	903524 (2) *	903524 (2) *
Bearing Cover Gasket	383940 (2) *	385125 (1) *	383940 (2) *	385125 (1) *	385125 (1) *
Disc	064412 (2) *	065112 (2) *	065121 (2) *	062039 (2) *	062039 (2) *
O-Ring (Head)	702022 (2) *	702041 (2) *	7119123 (2) *	702039 (2) *	702039 (2) *
O-Ring (Flange)	702004 (2) *	702002 (2) *	702004 (2) *	701937 (2) *	702004 (2) *
O-Ring (Flange) Older Pumps	-----	-----	701919 (2) *	-----	-----
Grease Seal	331918 (1) *	331908 (1) *	331918 (2) *	331908 (2) *	331908 (2) *
Dirt Shield	701480 (1) *	-----	701480 (2) *	-----	-----
Mechanical Seal	334439 (2) *	335225 (2) *	334439 (2) *	332050 (2) *	332050 (2) *
Shaft Key	909209 (1) *	909209 (1) *	909130 (1) *	909183 (1) *	909183 (1) *

* Items included in repair kits. *Stl* = Steel Pushrod *Com* = Composition Pushrod

Corken Bypass Valves



Corken Bypass Valves				
Item Number	Part Number	Size - FNPT	Application	Spring Range
140300	B166-75 BAU	3/4"	Cylinder Filling Systems	50 - 150
140305	B166-1 BAU	1"		
140306	B166-1 CAU			100 - 225

Corken Bypass Valves				
Item Number	Part Number	Size - FNPT	Application	Spring Range
140342	T166-1.25 AAU	1 1/4"	Bobtails & Small Bulk Systems	25 - 60
140335	T166-1.25 BAU			50 - 150
140336	T166-1.25 CAU			100 - 225
140341	T166-1.5 AAU	1 1/2"		25 - 60
140340	T166-1.5 BAU			50 - 150

Corken Bypass Valves				
Item Number	Part Number	Size - FNPT	Application	Spring Range
140329	ZV200AAEE	2"	Transports & Larger Bulk Plant Systems	41 - 70
140330	ZV200BAEE			91 - 125
140331	ZV200CAEE			71 - 90
140328	ZV200AAJJ	2.5"		41 - 70



B166



T166



ZV200

Other Spring Ranges Available.

Blackmer Bypass Valves				
Item Number	Part Number	Size - FNPT	Application	Spring Range
142001	BV0.75-410	3/4"	Cylinder Filling Systems	71 - 100
142000	BV1-410	1"		

Blackmer Bypass Valves				
Item Number	Part Number	Size - FNPT	Application	Spring Range
142004	BV1.25A-510	1 1/4"	Bobtails & Small Bulk Systems	71 - 125
142002	BV1.5A-510	1 1/2"		

Blackmer Bypass Valves				
Item Number	Part Number	Size - FNPT	Application	Spring Range
142007	BV2A-21NN	2"	Transports & Larger Bulk Plant Systems	41 - 70
142006	BV2A-61NN			91 -125



BV0.75A



BV1.5A



BV2A

Other Spring Ranges Available.

Fisher Small Pump Bypass Valves					
Item Number	Part Number	Pumping Capacity GPM / l/min	Body Size Inches	PSID Setting, psig / bar	PSID Range, psig / bar
122350	N110-06-1	5 to 20 / 18,9 to 75,7	3/4" FNPT	50 / 3,4	25 to 75 / 1,7 to 5,2
122360	N110-08-1	20 to 40 / 75,7 to 151	1" FNPT		
122355	N110-06-2	5 to 20 / 18,9 to 75,7	3/4" FNPT	100 / 6,9	75 to 150 / 5,2 to 10,3
122365	N110-08-2	20 to 40 / 75,7 to 151	1" FNPT		

Fisher Large Pump Bypass Valves					
Item Number	Part Number	Pump Size Inches	Body Size Inches	PSID Setting, psig / bar	PSID Range, psig / bar
122300	N100A-08-1 *	2"	1" FNPT	50 / 3,4	25 to 75 / 1,7 to 5,2
122305	N100A-08-2 *			115 / 7,9	50 to 150 / 3,4 to 10,3
122310	N100A-10-1 *	2" Or 3"	1 1/4" FNPT	50 / 3,4	25 to 75 / 1,7 to 5,2
122315	N100A-10-2 *			115 / 7,9	50 to 150 / 3,4 to 10,3
122320	N100A-12-1 *		1 1/2" FNPT	50 / 3,4	25 to 75 / 1,7 to 5,2
122325	N100A-12-2 *			115 / 7,9	50 to 150 / 3,4 to 10,3
122330	N100-16-1	4"	2" FNPT	50 / 3,4	25 to 75 / 1,7 to 5,2
122335	N100-16-2			115 / 7,9	50 to 150 / 3,4 to 10,3
Special Order	N100-20-1		2 1/2" FNPT	50 / 3,4	25 to 75 / 1,7 to 5,2
122336	N100-20-2			115 / 7,9	50 to 150 / 3,4 to 10,3

* Only the N100's are UL listed.

Fisher Backpressure Valves					
Item Number	Part Number	Liquid Meter Size, Inches	Body Size Inches	PSID Setting, psig / bar	PSID Range, psig / bar
122370	N120-06-3	3/4" or 1"	3/4" FNPT	12 / 0,83	10 to 20 / 0,69 to 1,4
122375	N120-08-3		1" FNPT		



N110-06-2



N100-16-2



N120-06-3

MEC Bypass Valves				
Item Number	Part Number	Size - FNPT	Application	Spring Range
147950	ME840-6-150	3/4"	Cylinder Filling Systems	50 - 150
147955	ME840-8-150	1"		

MEC Bypass Valves				
Item Number	Part Number	Size - FNPT	Application	Spring Range
148005	ME840-10-125	1 1/4"	Bobtails & Small Bulk Systems	91 - 125
148015	ME840-12-125	1 1/2"		
148022	ME840-16-40	2"		20 - 40
148024	ME840-16-70			41 - 70
148025	ME840-16-125			91 - 125

Socket Weld Flanges Available.

MEC Bypass Valves				
Item Number	Part Number	Size - FNPT	Application	Spring Range
147978	ME840-24-75	3"	Transports & Larger Bulk Plant Systems	25 - 75
147980	ME840-24-150			75 - 150



ME840-6-150



ME840-16-125



ME840-24-150

Other Installed Spring Ranges Available.

Liqua-Tech Meters		
Item Number	Part Number	Description
143131	L090028-101	LPM-102 — Non-Print Register — 3/4" Inlet & Outlet
143133	L090042-106	LPM-200 — Print Register — ATC — 2" Inlet & Outlet

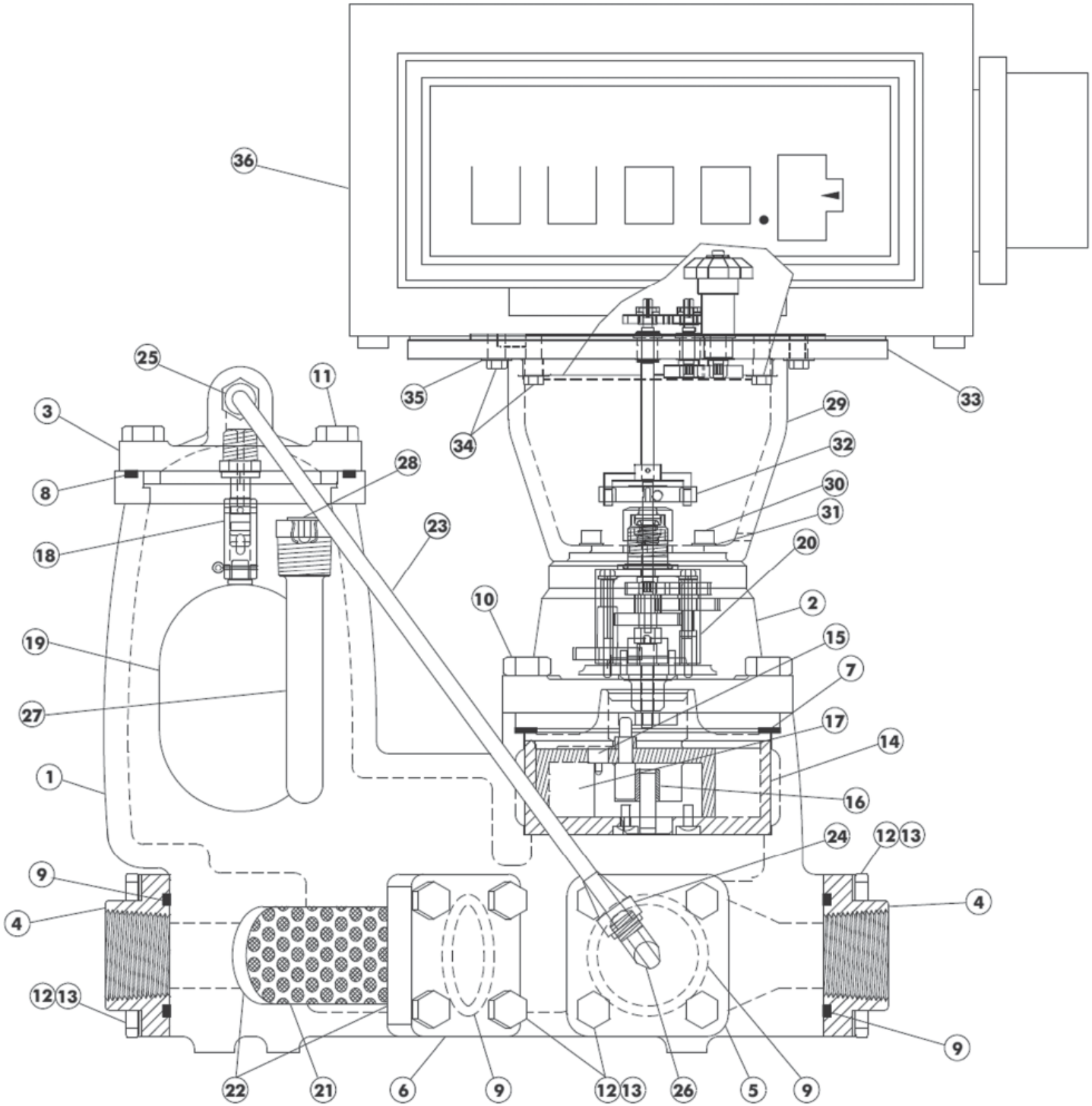


LPM-102



LPM-200

LPM-102 Parts Diagram



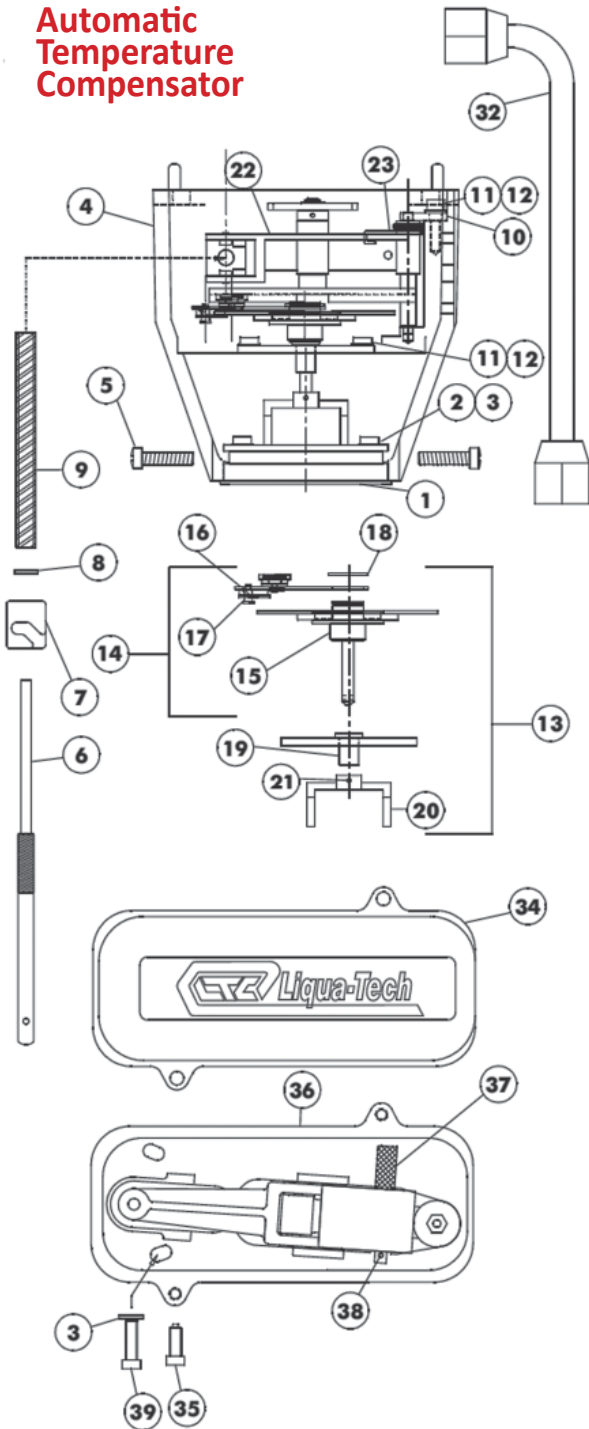
LPM-102 Breakdown



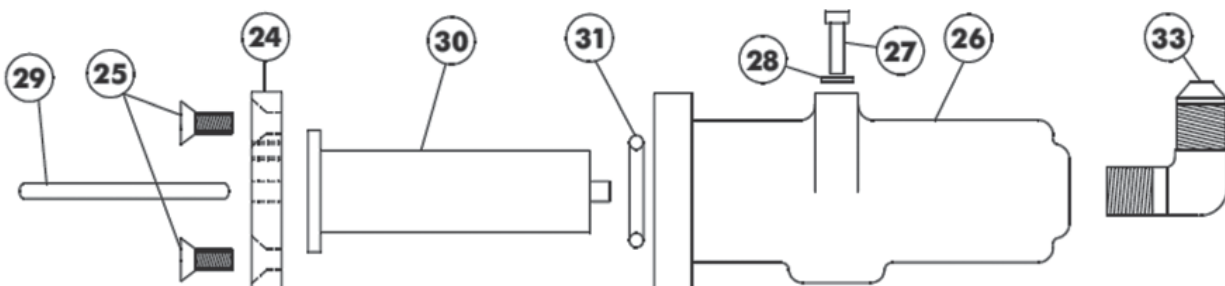
LPM-102 Parts List				
Ref.	Description		Item Number	Part Number
1	Main Case Housing		Special Order	L400027-001
2	Cover — Main Case		Special Order	L087173-710
3	Cover — Vapor Eliminator		Special Order	L087193-710
4	3/4" Flange Inlet/Outlet		Special Order	L087180-710
	1" Flange Inlet/Outlet		Special Order	L087180-711
5	Flange — Differential Valve		Special Order	L087179-710
6	Flange — Strainer		Special Order	L400025-001
7	Gasket — Main Case		144650	L004861-016
8	O-Ring — Vapor Eliminator Flange		146386	L100139-012
9	O-Ring — Inlet/Outlet Flange		146381	L100139-007
10	Hex Head Bolt — 7/16 NC X 1 1/4" — Drilled		144761	L040237-005
	Hex Head Bolt — 7/16 NC X 1 1/4" — Undrilled		144760	L040237-004
11	Hex Head Bolt — 3/8-16 NC X 1"		Special Order	L100067-027
12	Hex Head Bolt — 5/16 NC X 1"		Special Order	L100063-026
13	Lock Washer — Split — 5/16"		Special Order	L100121-010
14	Measuring Chamber — LP-Gas — Standard		144846	L042075-101
	Measuring Chamber — LP-Gas — <i>Trac-Bearing</i> [®]		Special Order	L042075-501
	15	Seal Pin	144866	L042792-000
	16	Roller Control	Special Order	L042086-010
	17	Diaphragm	144865	L042791-000
18	Vapor Return Valve		Special Order	L087190-000
19	Float		146009	L087189-001
20	Gear Train — 43.5 Ratio — U.S. Gallons		145174	L080905-017
	Gear Train — 11.6 Ratio — Liters		Special Order	L080905-015
21	Stainer Assembly — 80 Mesh		Special Order	L101738-001
	22	O-Ring — Strainer Endcaps	146379	L100139-006
23	Tube Assembly — Vapor Release		146012	L087196-001
	24	Nut — Flared — 1/4" Tube	Special Order	L087198-000
25	Male Connector — 1/8" NPT X 1/4" Tube		Special Order	L084826-100
26	90° Elbow — 1/8" NPT X 1/4" Tube		Special Order	L087195-000
27	Thermowell Assembly		145844	L086666-702
	28	Cover — Thermowell	145580	L083732-000
29	Register Adapter Tower		146183	L886150-000
30	Screw — 10-32 X 3/8" — Screw Cap		Special Order	L088524-010
31	Lock Washer — Split — #10		144795	L041211-000
32	Star Drive — w/Set Screw		145464	L082976-001
33	Register Gear Plate Adapter — No ATC		146177	L886101-001
34	Cap Screw — Plated — 1/4-28 X 5/8" — Drilled		Special Order	L100061-101
	Cap Screw — Plated — 1/4-28 X 5/8" — Undrilled		Special Order	L100061-100
35	Lock Washer — External — 1/4"		Special Order	L100123-100
36	Register — Non-Printing — Veeder-Root		146502	788700
	Register — Printing — Veeder-Root		146500	789002

LPM-102 ATC Parts List

Automatic Temperature Compensator



ATC Parts List					
Ref.	Description	Item Number	Part Number		
ATC Complete — LPM-102		Special Order	L101080-005		
1	Adapter Mounting Ring — ATC	Special Order	L101052-001		
2	Screw — Filister Head — 10-32 X 3/4" — SS	144835	L041750-000		
3	Lockwasher — Split — #10	144795	L041211-000		
4	Housing Assembly — ATC	Special Order	L101047-001		
5	Screw — Filister Head — 10-32 X 3/4" — Drilled	Special Order	L041750-002		
	Screw — Filister Head — 10-32 X 3/4" — Undrilled	144835	L041750-000		
6	Push Rod — ATC	Special Order	L101059-001		
7	Swivel Block Assembly — All ATC's	Special Order	L086612-000		
8	Spacer — Spring Retainer — All ATC's	Special Order	L088286-003		
9	Spring — Push Rod	Special Order	L084888-001		
10	Plate — Offset Arm Support	Special Order	L101060-001		
11	Screw — 10-32 X 3/8" — Socket buttonhead	Special Order	L041750-008		
12	Lockwasher — Internal — #10	146370	L100122-007		
13	Lower Drive Bracket Complete — 1" ATC	Special Order	L084913-000		
	Ratchet Wheel Assembly w/Arms — ATC	Special Order	L084916-000		
	15	Ratchet Wheel & Shaft Assembly — ATC	Special Order	L084917-000	
	14	16	Ratchet Arm Set (1,2,33,44)	Special Order	L086055-000
		Ratchet Arm Assembly — #1	Special Order	L086057-001	
		Ratchet Arm Assembly — #2	Special Order	L086064-001	
		Ratchet Arm Assembly — #33	Special Order	L086637-001	
	17	Ratchet Arm Assembly — #44	Special Order	L086639-001	
	17	Spring — Ratchet Pawl — ATC	145741	L086063-000	
	18	Retaining Ring — 1/2" Extension	145783	L086071-000	
	19	Plate Drive Assembly — ATC	Special Order	L101055-001	
20	Drive Fork (Long)	145655	L084192-006		
21	Roll Pin — 1/16" X 3/8" — Steel	146440	L100370-003		
22	Arm complete — Offset Spider	Special Order	L084910-004		
23	Spring — Offset Spider — ATC	Special Order	L008355-506		
24	Thermostat Cover — ATC	Special Order	L087179-001		
25	Screw — Socket Head — 1/4"-20 X 3/4"	Special Order	L008325-401		
26	Thermostat Housing — ATC	Special Order	L101048-001		
27	Screw — Button Head 1/4"-20 X 5/8" — SS	Special Order	L008325-020		
28	Lock Washer — Split — 1/4"	144791	L041117-000		
29	Thermostat Pin — ATC	Special Order	L086648-006		
30	Thermostat Bellows Assembly	145833	L086646-000		
31	O-Ring — Thermostat	146377	L100139-005		
32	Connecting Tube — LPM-102 — ATC	Special Order	L101065-001		
33	Elbow — 3/8" NPT X 3/8" SAE	Special Order	L084825-000		
34	Cover — Lever Arm Mounting Plate	146204	L086665-000		
35	Screw — Cover — 10-32 X 3/4" — Special — Drilled	144751	L009287-003		
36	Lever Arm Assembly & Mounting Plate	145838	L086649-003		
37	Pin — Lever Arm Lock	146203	L086661-001		
38	Cotter Pin — 1/16" x 3/8" — SS	Special Order	L041401-000		
39	Screw — Filister Head — 10-32 X 5/8" — Steel	144794	L041221-002		

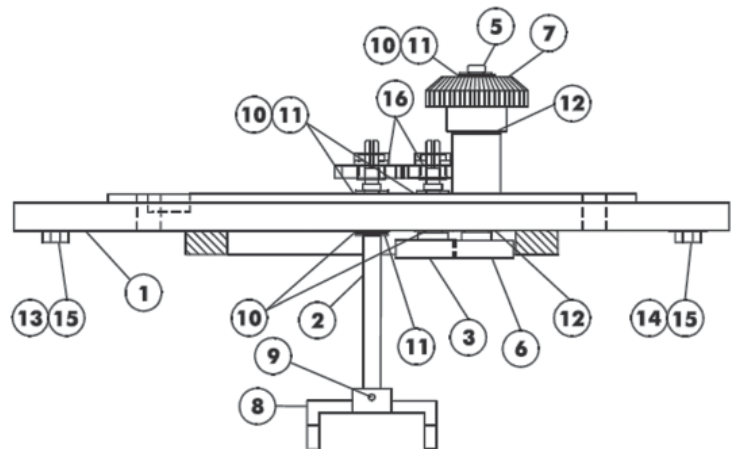


LPM-102 Breakdown



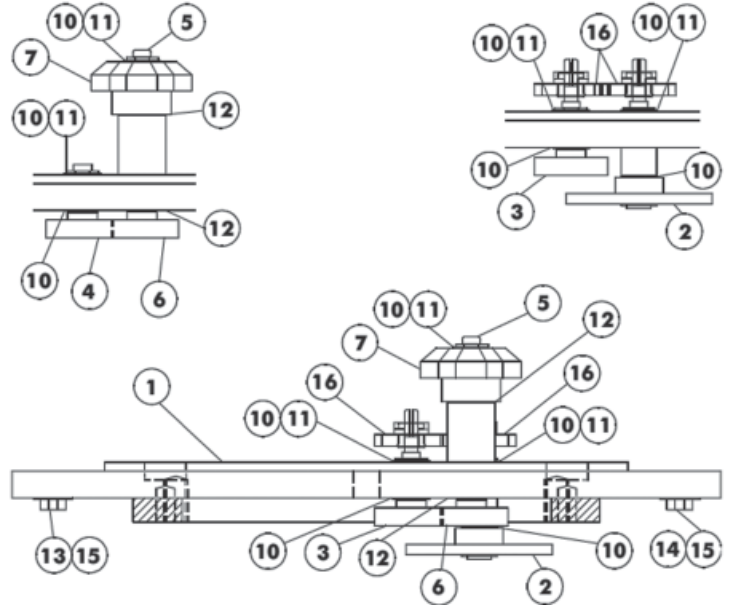
Register Gear Plate Adapter No ATC Parts List

Ref.	Description	Item Number	Part Number
	Gear Plate Assembly	146177	L886101-001
2	S-Shaft Gear Assembly	Special Order	L886112-001
3	R-Shaft Gear Assembly	Special Order	L886115-000
5	Output Shaft Bevel Gear Assembly	Special Order	L886116-002
6	Shaft — Output — w/Spur Gear Assembly	Special Order	L886116-010
7	Gear — Bevel — w/Clutch Assembly	Special Order	L886116-011
8	Fork Driver (Short) w/Pin	146176	L088589-001
9	1/16" X 3/8" Roll Pin	146440	L100370-003
10	Washer Shim — 3/16" X 3/8" X .010"	Special Order	L886121-000
11	Retaining Ring — 3/16" E-Type	Special Order	L886131-000
12	Washer Shim — 1/4" X 1/2" X .005"	Special Order	L886122-000
13	Cap Screws — 1/4"-28 X 5/8" — Undrilled	Special Order	L100061-100
14	Cap Screw — 1/4"-28 X 5/8" — Drilled	Special Order	L100061-101
15	Lock Washer — Ext 1/4"	Special Order	L100123-100
16	Register Change Gear Assembly	Special Order	L081230-XXX



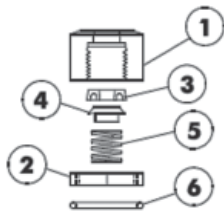
Register Gear Plate Adapter ATC Parts List

Ref.	Description	Item Number	Part Number
	Gear Plate Assembly	Special Order	L886105-001
2	S-Shaft Gear Assembly	Special Order	L886112-002
3	R-Shaft Gear Assembly	Special Order	L886112-001
4	Idle Shaft Gear Assembly	Special Order	L886117-000
5	Output Shaft Bevel Gear Assembly	Special Order	L886116-002
6	Shaft — Output — w/Spur Gear Assembly	Special Order	L886116-010
7	Gear — Bevel — w/Clutch Assembly	Special Order	L886116-011
10	Washer Shim — 3/16" X 3/8" X .010"	Special Order	L886121-000
11	Retaining Ring — 3/16" E-Type	Special Order	L886131-000
12	Washer Shim — 1/4" X 1/2" X .005"	Special Order	L886122-000
13	Cap Screws — 1/4"-28 X 5/8" — Undrilled	Special Order	L100061-100
14	Cap Screw — 1/4"-28 X 5/8" — Drilled	Special Order	L100061-101
15	Lock Washer — Ext 1/4"	Special Order	L100123-100
16	Register Change Gear Assembly	Special Order	L081230-XXX



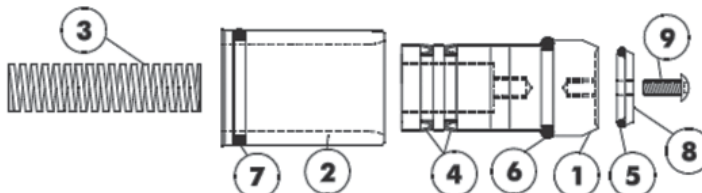
Stuffing Box Assembly Parts List

Ref.	Description	Item Number	Part Number
1	Nut — Stuffing Box — Complete w/Bushing	145558	L083536-000
2	Clamp Nut	144204	L000034-000
3	U-Cup Seal (Buna-N)	146344	L100025-002
4	U-Cup Expander	145560	L083539-000
5	Spring — Stuffing Box	145562	L083540-000
6	O-Ring — Gear Train (Buna-N)	146375	L100138-003



Differential Valve Assembly Parts List

Ref.	Description	Item Number	Part Number
	Differential Valve Assembly — Soft Seat	146351	L100028-011
1	Piston — Differential Valve	Special Order	L100160-040
2	Sleeve — Differential Valve	Special Order	L100027-010
3	Spring — Differential Valve	146343	L100024-001
4	U-Cup Seals — Extra Low Friction (2)	146349	L100025-008
5	O-Ring — Primary — Soft Seat (Buna-N)	Special Order	L100025-102
6	O-Ring — Secondary — Soft Seat (Viton)	Special Order	L100025-101
7	O-Ring — Sleeve	146379	L100139-006
8	Retainer — Differential Valve (Brass)	Special Order	L100160-050
9	Screw — 10-32 X 1/2" — Buttonhead — SS	Special Order	L041750-010



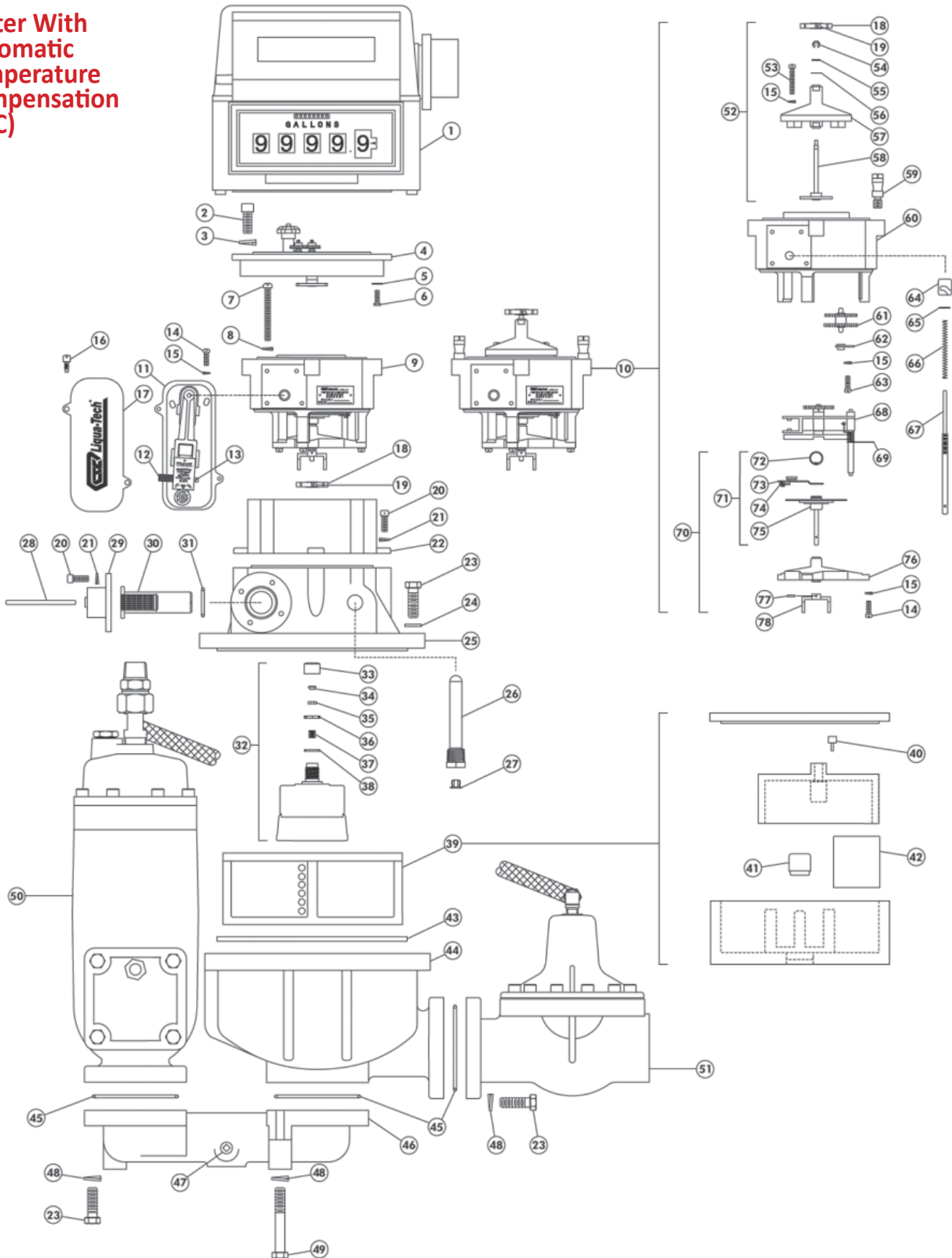
Change Gear Chart

Item Number	Part Number	Number Of Teeth
145225	81230-018	18
145226	81230-019	19
145227	81230-020	20
145228	81230-021	21
145230	81230-022	22
145232	81230-023	23
145233	81230-024	24
145234	81230-025	25
145235	81230-026	26
145236	81230-027	27
145237	81230-028	28
145238	81230-029	29
145239	81230-030	30
145240	81230-031	31
145241	81230-032	32
145242	81230-033	33
145243	81230-034	34
145244	81230-035	35
145245	81230-036	36

Other Types & Sizes Available for Special Order.

LPM-200 ATC Parts Diagram

Meter With Automatic Temperature Compensation (ATC)



LPM-200 Breakdown

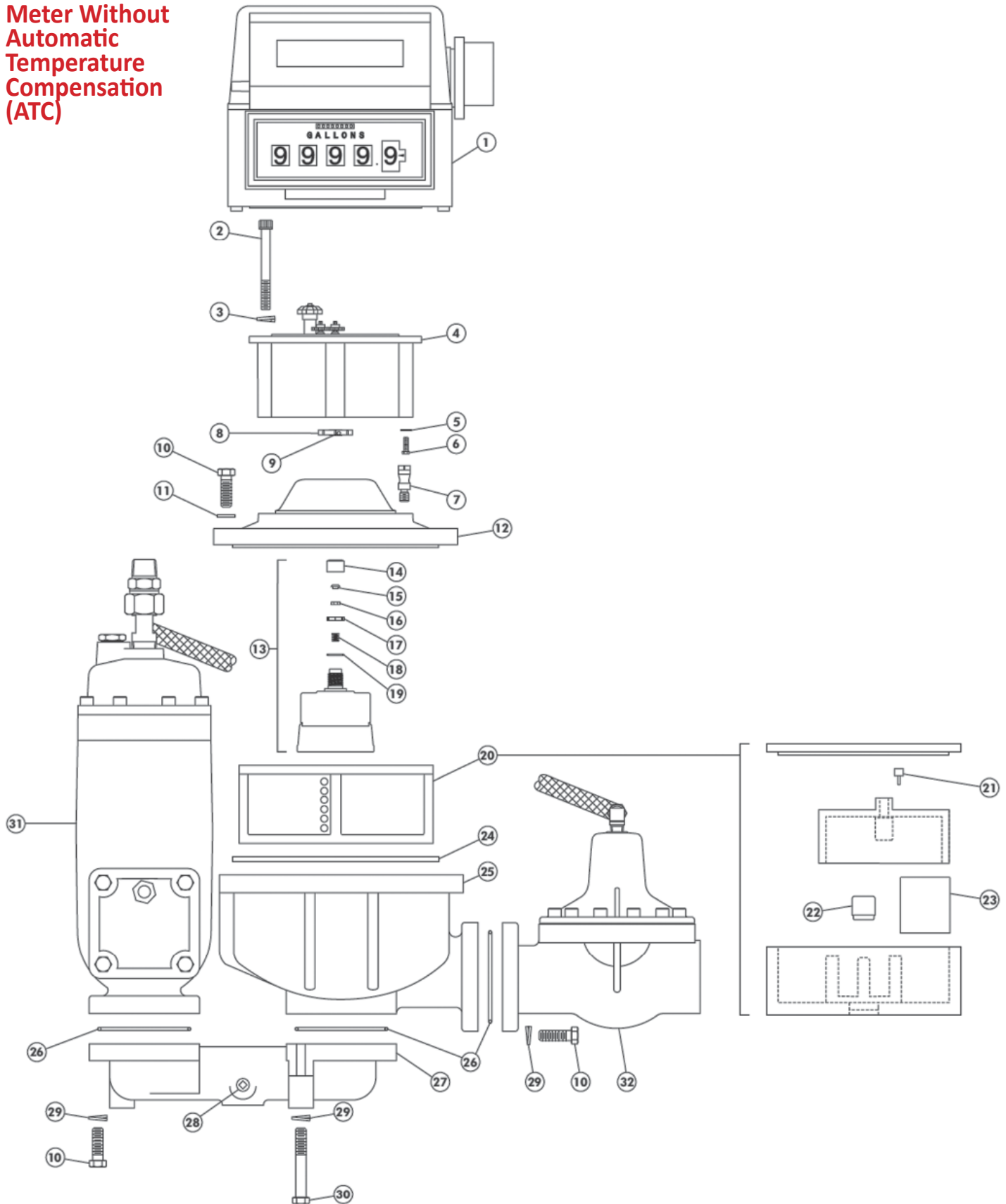


LPM-200 ATC Parts List			
Ref.	Description	Item Number	Part Number
1	Veeder-Root Register — Non-Printing — US Gallons	Special Order	L788700-036
	Veeder-Root Register — Printing — US Gallons	Special Order	L789002-705
2	Screw — 3/8"-16 X 1" — Socket Head	144732	L008325-014
	Screw — 3/8"-16 X 1" — Socket Head — Drilled	Special Order	L008325-015
3	Lock Washer — 3/8" — High Collar — Steel	Special Order	L100440-002
4	Adapter Plate — For Veeder-Root Register — ATC	146194	L886205-001
5	Lock Washer — 1/4" — Star	Special Order	L100123-100
6	Screw 1/4"-28 X 5/8" — Hex Head	Special Order	L100061-100
	Screw 1/4"-28 X 5/8" — Hex Head — Drilled	Special Order	L100061-011
7	Screw 1/4"-20 X 2 1/2" — Filister Head	144730	L008302-107
8	Lock Washer — 1/4" — High Collar — Steel	146226	L088721-000
9	Temperature Compensator Adapter	Special Order	L086602-101
10	Temperature Compensator Adapter w/Upper Drive Bracket	Special Order	L086602-005
11	Mounting Plate & Lever Arm Assembly	145838	L086649-003
12	Pin — Lever Arm Lock	146203	L086661-001
13	Cotter Pin — 1/16" Dia. X 3/8" — Steel	Special Order	L041401-000
14	Screw — 10-32 X 5/8" Special	144794	L041221-002
15	Lock Washer — #10 — Steel	Special Order	L041221-000
16	Screw — Cover — 10-32 Special	144751	L009287-003
17	Cover — Lever Arm Mounting Plate	145843	L086665-000
18	Star Driver — w/Setscrew	145464	L082976-001
19	Set Screw — 8-32 X 5/16"	146240	L088796-000
20	Screw 1/4"-20 X 3/4" — Socket Head	Special Order	L100060-010
	Screw 1/4"-20 X 3/4" — Socket Head — Drilled	Special Order	L100060-011
21	Lock Washer — 1/4" — Steel	144791	L041117-000
22	Spacer — Aluminum	Special Order	L086711-000
23	Screw — Cap — 7/16"-14 X 1 3/8"	144294	L000795-003
	Screw — Cap — 7/16"-14 X 1 3/8" — Drilled	Special Order	L000795-011
24	Washer — 7/16" — Flat — Steel	Special Order	L000796-004
25	Main Case Cover w/Locking Pin	Special Order	L086704-701
26	Thermowell	145844	L086666-702
27	Cover — Thermowell	145580	L083732-000
28	Pin — Thermostat	145837	L086648-000
29	Cover — Thermostat	Special Order	L086647-001
30	Thermostat Bellows Assembly	145833	L086646-000
31	O-Ring — Thermostat Bellows	146377	L100139-005
32	Gear Train — 2" — 3.75 Ratio — LPG — 1 US Gallon — Clover Driver	145557	L083502-000
	Gear Train — 2" — 3.75 Ratio — LPG — 1 US Gallon — Tear Drop Driver	Special Order	L083502-005
33	Nut — Stuffing Box — Complete w/Bushing	145558	L083536-000
34	Clamp Nut — Gear Train — LPG	144204	L000034-000
35	U-Cup Seal — Gear Train — Buna-N	146349	L100025-002
36	Expander — U-Cup	145560	L083539-000
37	Spring — Stuffing Box	145562	L083540-000
38	O-Ring — Gear Train — Buna-N	146375	L100138-003
39	Measuring Chamber — 2" — LPG — Standard	145017	L045806-101
	Measuring Chamber — 2" — LPG — Trac-Bearing	Special Order	L045806-501
40	Seal Pin — 2" Measuring Chamber (Liqua-Tech) — LPG	Special Order	L042546-010
	Seal Pin — 2" Measuring Chamber (Neptune) — LPG	144861	L042546-000
41	Control Roller — 2" Measuring Chamber (Liqua-Tech) — LPG	Special Order	L042316-010
	Control Roller — 2" Measuring Chamber (Neptune) — LPG	144853	L042316-001
42	Diaphragm — 2" Measuring Chamber (Liqua-Tech) — LPG	Special Order	L042312-010
	Diaphragm — 2" Measuring Chamber (Neptune) — LPG	144852	L042312-001
NS	Repair Kit — 2" Measuring Chamber (Liqua-Tech)	Special Order	L045806-702
	Repair Kit — 2" Measuring Chamber (Neptune)	145014	L045806-701

LPM-200 ATC Parts List			
Ref.	Description	Item Number	Part Number
43	Gasket — Main Case	145681	L084806-000
44	Main Case Housing w/Locating Pin	Special Order	L084804-702
45	O-Ring Gasket	146391	L100139-018
	O-Ring Gasket (Square Cut)	145689	L084818-000
46	Connector — Meter to Vapor Eliminator	Special Order	L086698-702
47	Plug — Drain	Special Order	L100075-003
48	Lock Washer — 7/16" — Steel	Special Order	L041012-002
49	Screw — 7/16"-14 X 3" — Hex Head — Steel	Special Order	L100071-068
50	Vapor Release & Strainer Assembly — Complete	Special Order	L084807-701
51	Differential Valve — Complete	143462	L083925-701
52	Register (Upper) Drive Bracket — Complete	Special Order	L084890-004
53	Screw — Filister Head — Steel Plated — 10-32 X 1 1/4"	146306	L089073-000
54	Retaining Ring — 3/16"	Special Order	L886131-000
55	Washer — Drive Shaft	144752	L008571-014
56	Shim — Drive Shaft	Special Order	L886121-000
57	Bracket Assembly — (Upper) w/Bushings	145874	L086808-000
58	Gear & Drive Shaft Complete (41 Tooth)	145820	L086554-001
59	Stud — Register Mounting — Stainless Steel	145662	L084435-000
60	Adapter Housing	Special Order	L084921-003
61	Gear & Shaft Assembly (41 & 35 Teeth)	145705	L084907-001
62	Plate — Idler Gear Retainer	145827	L086609-000
63	Screw — 10-32 X 3/8" — Filister Head	146155	L088524-000
64	Swivel Block Assembly	Special Order	L086612-000
65	Washer — Spring Retainer	Special Order	L088286-003
66	Spring — Push Rod	Special Order	L084888-001
67	Push Rod	Special Order	L086611-001
68	Arm Complete — Offset Spider (31T Gear)	145712	L084910-003
69	Spring — Offset Spider	Special Order	L086645-000
70	Lower Drive Bracket — Complete	145711	L084913-002
71	Ratchet Wheel Assembly w/Arms	145710	L084916-001
72	Ring — Retaining	145783	L086071-000
73	Ratchet Arm Assembly #1	Special Order	L086057-001
	Ratchet Arm Assembly #2	Special Order	L086064-001
	Ratchet Arm Assembly #33	Special Order	L086637-001
	Ratchet Arm Assembly #44	Special Order	L086639-001
74	Spring — Ratchet Pawl	145741	L086063-000
75	Ratchet Wheel/Shaft Assembly	Special Order	L084917-001
76	Drive Bracket w/Bushings	145717	L084914-000
77	Roll Pin — 1/16" X 3/8" — Steel	146440	L100370-003
78	Driver Fork	145655	L084192-006

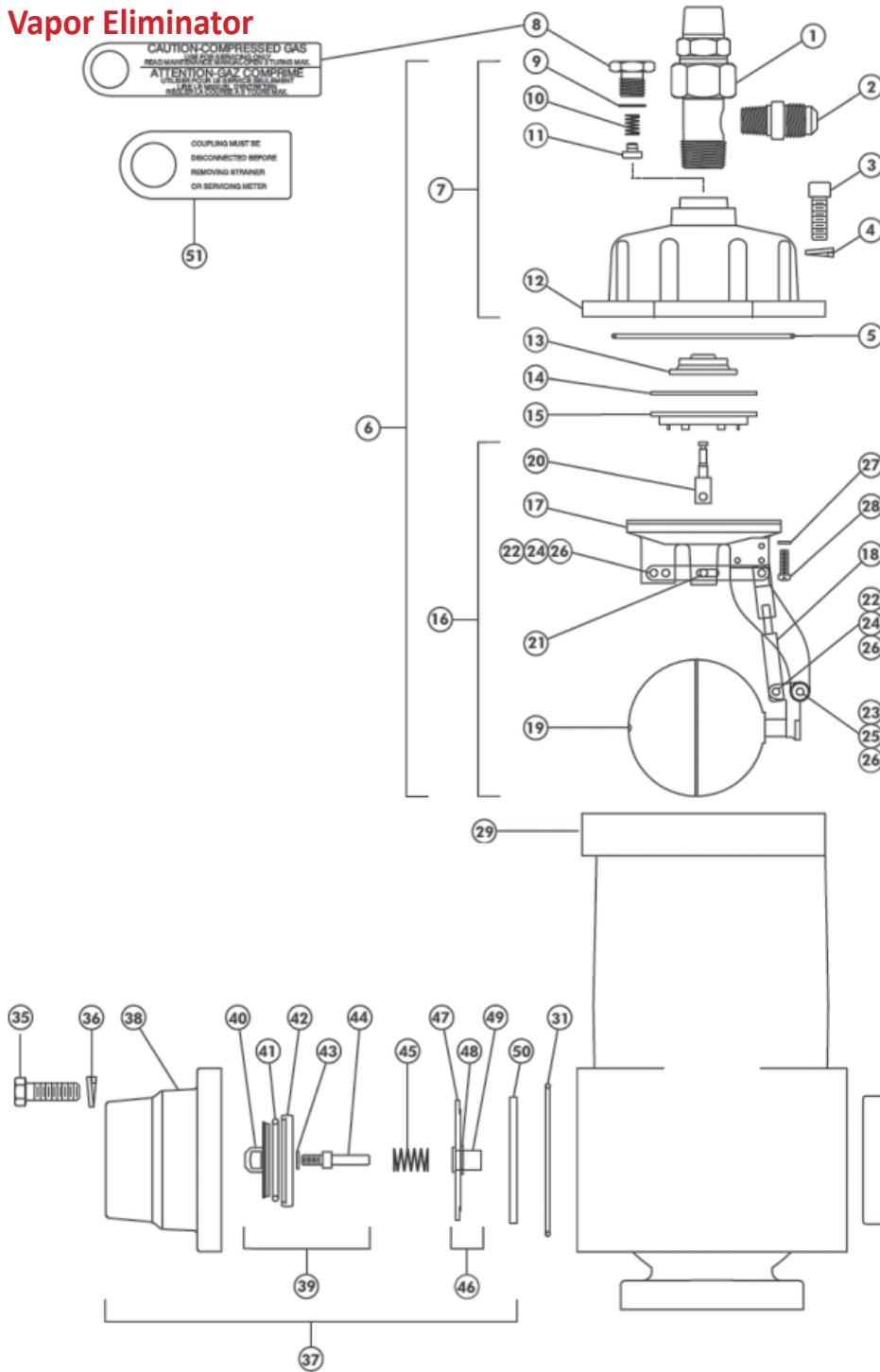
LPM-200 Non ATC Parts Diagram

**Meter Without
Automatic
Temperature
Compensation
(ATC)**



LPM-200 NON ATC Parts List			
Ref.		Item Number	Part Number
1	Veeder-Root Register — Non-Printing — US Gallons	Special Order	L788700-036
	Veeder-Root Register — Printing — US Gallons	Special Order	L789002-705
2	Screw — 3/8-16 X 3 1/2" — Socket Head	146362	L100072-001
3	Lockwasher — 3/8" — High Collar — Steel	Special Order	L100440-002
4	Adapter Plate for Veeder-Root Register Non-ATC	146181	L886201-001
5	Lockwasher — 1/4" — Star	Special Order	L100123-100
6	Screw — 1/4-28 X 5/8" — Hex Head	Special Order	L100061-100
	Screw — 1/4-28 X 5/8" — Hex Head — Drilled	Special Order	L100061-011
7	Stud — Register Mounting — Stainless Steel	145662	L084435-000
8	Star driver w/Setscrew	145464	L082976-001
9	Set Screw — 8/32 X 5/16"	146240	L088796-000
10	Screw — Cap — 7/16-14 X 1 3/8"	144294	L000795-003
	Screw — Cap — 7/16-14 X 1 3/8" — Drilled	Special Order	L000795-011
11	Washer — 7/16" — Flat — Steel	Special Order	L00796-004
12	Main Case Cover — w/Locking Pin — No ATC	145680	L084802-702
13	Gear Train 2" — 3.75 Ratio — LPG — 1 US Gallon — Clover Driver	145557	L083502-000
	Gear Train 2" — 3.75 Ratio — LPG — 1 US Gallon — Tear Drop Driver	Special Order	L083502-005
14	Nut — Stuffing Box — Complete w/Bushing	145558	L083536-000
15	Clamp Nut — Gear Train — LPG	144204	L000034-000
16	U-Cup Seal — Gear Train — Buna-N	146344	L100025-002
17	Expander — U-Cup	145560	L083539-000
18	Spring — Stuffing Box	145562	L083540-000
19	O-Ring — Gear Train — Buna-N	146375	L100138-003
20	Measuring Chamber — 2" — LPG — Standard	145017	L045806-101
	Measuring Chamber — 2" — LPG — Trac-Bearing	Special Order	L045806-501
21	Seal Pin — 2" — Measuring Chamber (Liqua-Tech) — LPG	Special Order	L042546-010
	Seal Pin — 2" — Measuring Chamber (Neptune) — LPG	144861	L042546-000
22	Control Roller — 2" — Measuring Chamber (Liqua-Tech) — LPG	Special Order	L042316-010
	Control Roller — 2" — Measuring Chamber (Neptune) — LPG	144853	L042316-001
23	Diaphragm — 2" — Measuring Chamber (Liqua-Tech) — LPG	Special Order	L042312-010
	Diaphragm — 2" — Measuring Chamber (Neptune) — LPG	Special Order	L042312-002
NS	Repair Kit — 2" — Measuring Chamber (Liqua-Tech)	Special Order	L045806-702
	Repair Kit — 2" — Measuring Chamber (Neptune)	145014	L045806-701
24	Gasket — Main Case	145681	L084806-000
25	Main Case Housing w/Locking Pin	Special Order	L084804-702
26	O-Ring Gasket	146391	L100139-018
	O-Ring Gasket (Square-Cut)	145689	L084818-000
27	Connector — Meter to Vapor Eliminator	Special Order	L086698-702
28	Plug — Drain	Special Order	L100075-003
29	Lockwasher — 7/16" — Steel	Special Order	L041012-002
30	Screw — 7/16-14 X 3" — Hex Head — Steel	Special Order	L100071-068
31	Vapor Release & Strainer Assembly — Complete	Special Order	L084807-701
32	Differential Valve — Complete	143462	L083925-701

Vapor Eliminator

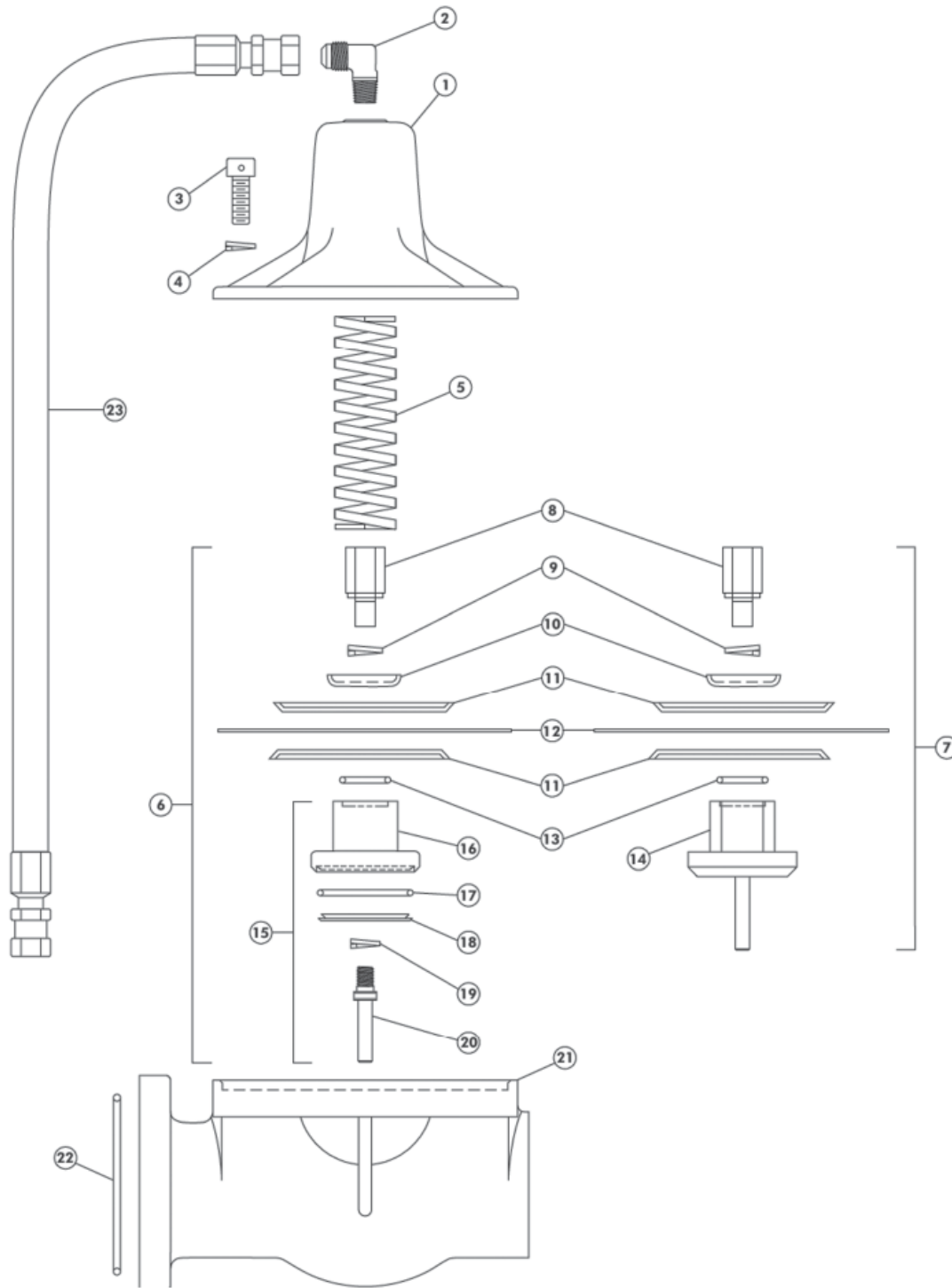


Vapor Eliminator Parts List			
Ref.	Description	Item Number	Part Number
1	Valve — Vapor Return Check	145694	L084828-000
2	Fitting — Straight — 3/8" Male Flare	Special Order	L084826-000
3	Screw — 3/8-16 X 1" Socket Head	144732	L008325-014
4	Lockwasher — 3/8" Steel — High Collar	Special Order	L100440-002
5	O-Ring — Vapor Release Cover	146400	L100139-022
6	Mounting Cover w/Float Valve	145683	L084808-701
7	Cover Assembly — Vapor Release	Special Order	L100148-001
8	Screw — Pressure Relief (Includes Caution Tag)	146571	L100333-001
9	O-Ring — Pressure Relief Screw	146382	L100138-006
10	Spring — Compression	146345	L100024-003
11	Valve Assembly — Bypass	146424	L100237-001
12	Cover — Vapor Release	Special Order	L100147-901
13	Main Valve — Complete	146334	L089274-006
14	Piston Seal	145485	L083179-000
15	Sleeve — Valve	145320	L082446-005
16	Lower Valve Housing — Complete	145861	L086798-001
17	Valve Housing w/Extensions	Special Order	L083457-000
18	Link Assembly	Special Order	L080002-000
19	Float Complete	145326	L082476-001
20	Valve Stem	144768	L083127-001
21	Pin — Valve Stem	144869	L042941-000
22	Pin — Short (.68")	Special Order	L082633-000
23	Pin — Float to Lever — Long (1.37")	144766	L040820-003
24	Washer — Pin (Short)	Special Order	L041989-000
25	Washer — Float Lever Pin (Long)	Special Order	L040491-000
26	Cotter Pin — 1/16" X 1/2" — 304 SS	Special Order	L041402-000
27	Screw — 10-32 X 5/8" — Filister	144794	L041221-002
28	Lockwasher — #10 — Steel	144795	L041211-000
29	Body — Vapor Release & Strainer	Special Order	L084810-701
30	Strainer — 84 Mesh (Standard)	146598	L101462-004
	Strainer — 60 Mesh	Special Order	L101462-003
	Strainer — 40 Mesh	Special Order	L101462-002
	Strainer — 16 Mesh	Special Order	L101462-001

Vapor Eliminator Parts List			
Ref.	Description	Item Number	Part Number
31	Gasket — O-Ring — Strainer Cover	146391	L100139-018
32	Strainer Cover — For Thermowell	145682	L084811-701
	Strainer Cover — No Thermowell	145684	L084812-702
33	Thermowell	145844	L086666-702
34	Cover — Thermowell	145580	L083732-000
35	Screw — 7/16-14 X 1 3/8" — Hex Head	144294	L000795-003
35	Lockwasher — 7/16" — Steel	Special Order	L041012-002
36	Stud — 5/8-11 X 2 1/4" — Steel	145400	L082678-000
37	Inlet Check Valve — Soft seat	145685	L084813-702
38	Flange — Inlet	Special Order	L084814-003
39	Inlet Check Valve Disk Assembly	Special Order	L084815-000
40	Retainer — Disk	146454	L100898-001

Vapor Eliminator Parts List			
Ref.	Description	Item Number	Part Number
41	O-Ring — Soft Seat	146406	L100139-032
42	Holder — Disk	146453	L100374-002
43	Lockwasher	146369	L100121-009
44	Shaft — Valve Stem	146567	L100896-001
45	Spring	Special Order	L083492-010
46	Inlet Check Valve Bearing Support Assembly	Special Order	L084815-050
47	Bearing	Special Order	L100899-010
48	Strap — Inlet Check	Special Order	L084816-002
49	Retaining Ring — 1/2"	145783	L086071-000
50	Retaining Ring — Spiral	145688	L084817-000
51	Caution Tag — Vapor Return Valve	146571	L100333-001
NS	Caution Tag — Meter Calibration	Special Order	L100322-001

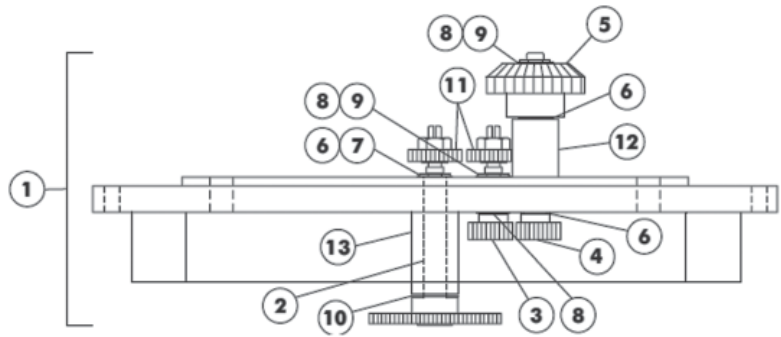
Differential Valve



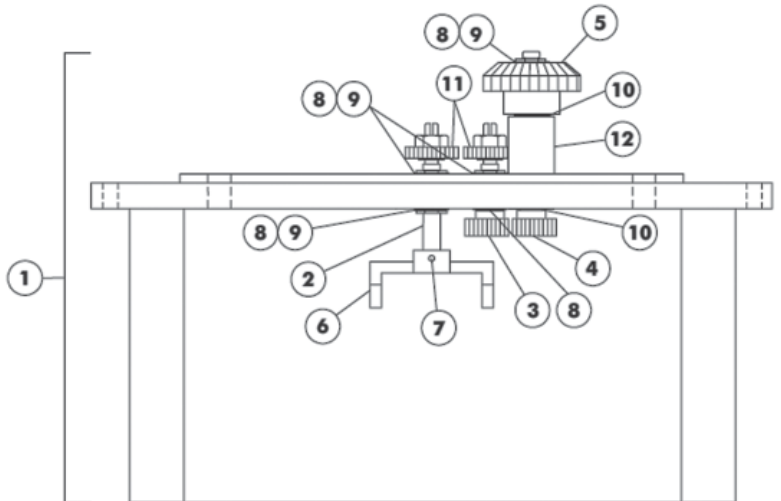
Differential Valve Parts List			
Ref.	Description	Item Number	Part Number
1	Cover	Special Order	L083776-701
2	Fitting — Elbow — 3/8" NPT X 3/8" SAE	Special Order	L084825-001
3	Screw — 3/8-16 X 1" Socket Head	144732	L008325-014
	Screw — 3/8-16 X 1" Socket Head — Drilled	Special Order	L008325-015
4	Lockwasher — 3/8" Steel — High Collar	Special Order	L100440-002
5	Spring — Valve	145588	L083775-000
6	Diaphragm Assembly — Soft Seat	Special Order	L083947-010
7	Diaphragm Assembly — Hard Seat	145617	L083947-003
8	Screw — Diaphragm	145585	L083774-002
9	Lockwasher — 7/16" Steel	Special Order	L041012-002
10	Retainer — Spring	Special Order	L083773-000
11	Retainer — Diaphragm	145587	L083772-002

Differential Valve Parts List			
Ref.	Description	Item Number	Part Number
12	Diaphragm	Special Order	L083771-002
13	O-Ring — Differential Valve	146378	L100139-001
14	Valve Stem — Hard Seat	145616	L083927-002
15	Valve Stem Assembly — Soft Seat	Special Order	L083927-010
16	Valve Plug	Special Order	L083927-011
17	O-Ring — Soft Seat	Special Order	L100139-046
18	Retainer — O-Ring	Special Order	L083927-012
19	Lockwasher — 3/8"	146572	L100440-001
20	Valve Stem — Threaded	Special Order	L083927-013
21	Body — Differential Valve	Special Order	L083926-701
22	O-Ring — Flange	146391	L100139-018
23	Hose — Connector	Special Order	L084823-010

Register Gear Plate Adapter No ATC Parts List			
Ref.	Description	Item Number	Part Number
1	Gear Plate Assembly — 1 1/4" - 2" — ATC	146194	L886205-001
2	S-Shaft Gear Assembly — Long Knurled — w/41 Tooth Gear	Special Order	L886112-004
3	R-Shaft Gear Assembly	Special Order	L886115-000
4	Shaft — Output — w/Spur Gear Assembly	Special Order	L886116-010
5	Gear — Bevel — w/Clutch Assembly	Special Order	L886116-011
6	Washer Shim — 1/4" X 1/2" X .005"	Special Order	L886122-000
7	Retaining Ring — 1/4" E-Type	Special Order	L886132-000
8	Washer Shim — 3/16" X 3/8" X .010"	Special Order	L886121-000
9	Retaining Ring — 3/16" E-Type	Special Order	L886131-000
10	Washer Shim — 1/4" X 1/2" X .028"	Special Order	L886123-000
11	Register Change Gear Assembly	See Below	L081230-XXX
12	Bushing — Spacer — 1/4" X 1/2" X 1"	Special Order	L000010-C02
13	Bushing — Spacer — S-Shaft — 1/4" X 1/2" X 1 1/4"	Special Order	L000010-C06
15	Bushing — R-Shaft — 3/16" X 5/16" X 3/8"	Special Order	L000010-C01



Register Gear Plate Adapter No ATC Parts List			
Ref.	Description	Item Number	Part Number
1	Gear Plate Assembly — 1 1/4" - 2" — Non-ATC	146181	L886201-001
2	S-Shaft Gear Assembly	Special Order	L886112-005
3	R-Shaft Gear Assembly	Special Order	L886115-000
4	Shaft — Output — w/Spur Gear Assembly	Special Order	L886116-010
5	Gear — Bevel — w/Clutch Assembly	Special Order	L886116-011
6	Fork Driver (Short) w/Pin	146176	L088589-001
7	1/16" X 3/8" Roll Pin	146440	L100370-003
8	Washer Shim — 3/16" X 3/8" X .010"	Special Order	L886121-000
9	Retaining Ring — 3/16" E-Type	Special Order	L886131-000
10	Washer Shim — 1/4" X 1/2" X .005"	Special Order	L886122-000
11	Register Change Gear Assembly	See Below	L081230-XXX
12	Bushing — Spacer — 1/4" X 1/2" X 1"	Special Order	L000010-C02
NS	Bushing — Change Gear Shaft — 3/16" X 5/16" X 3/8"	Special Order	L000010-C01



Change Gear Chart		
Item Number	Part Number	Number Of Teeth
145225	81230-018	18
145226	81230-019	19
145227	81230-020	20
145228	81230-021	21
145230	81230-022	22
145232	81230-023	23
145233	81230-024	24
145234	81230-025	25
145235	81230-026	26
145236	81230-027	27
145237	81230-028	28
145238	81230-029	29
145239	81230-030	30
145240	81230-031	31
145241	81230-032	32
145242	81230-033	33
145243	81230-034	34
145244	81230-035	35
145245	81230-036	36

Other Types & Sizes Available for Special Order.



RL100-118A203S0



RL200-218BRG0D2MS

Neptune Meters								
Item Number	Part Number	Flow Rate GPM	Register Model Number	Temperature Compensator	Type 4D Meter Size	Connections	Flow Direction	Operating Pressure
143178	RL100-108A102S0	3-18	600	No	1"	1" FNPT (Tapped Flange)	Inlet Left	350 PSIG
143180	RL100-118A203S0		600 w/ATC	Yes				
143142	RL125-11RG0A1MS	5-30	831 *	No	1 1/4"	1 1/4" FNPT (Tapped Flange)	Left Rear Inlet Outlet @ Right	350 PSIG
143140	RL125-11RG0D1MS		833 **	No				
143141	RL125-21RG0A1MS		831 *	Yes				
143144	RL125-21RG0D1MS		833 **	Yes				
143153	RL150-11RG0A1MS	12-60	831 *	No	1 1/2"	1 1/2" FNPT (Tapped Flange)	Left Rear Inlet Outlet @ Right	350 PSIG
143150	RL150-11RG0D1MS		833 **	No				
143156	RL150-21RG0A1MS		831 *	Yes				
143152	RL150-21RG0D1MS		833 **	Yes				
143171	RL200-118SRG0A2MS	20-100	831 *	No	2"	2" FNPT (Tapped Flange)	Left Rear Inlet Outlet @ Right	350 PSIG
143170	RL200-118SRG0D2MS		833 **	No				
143173	RL200-218BRG0A2MS		831 *	Yes				
143172	RL200-218BRG0D2MS		833 **	Yes				

* Direct reading reset counter w/Totalizer.

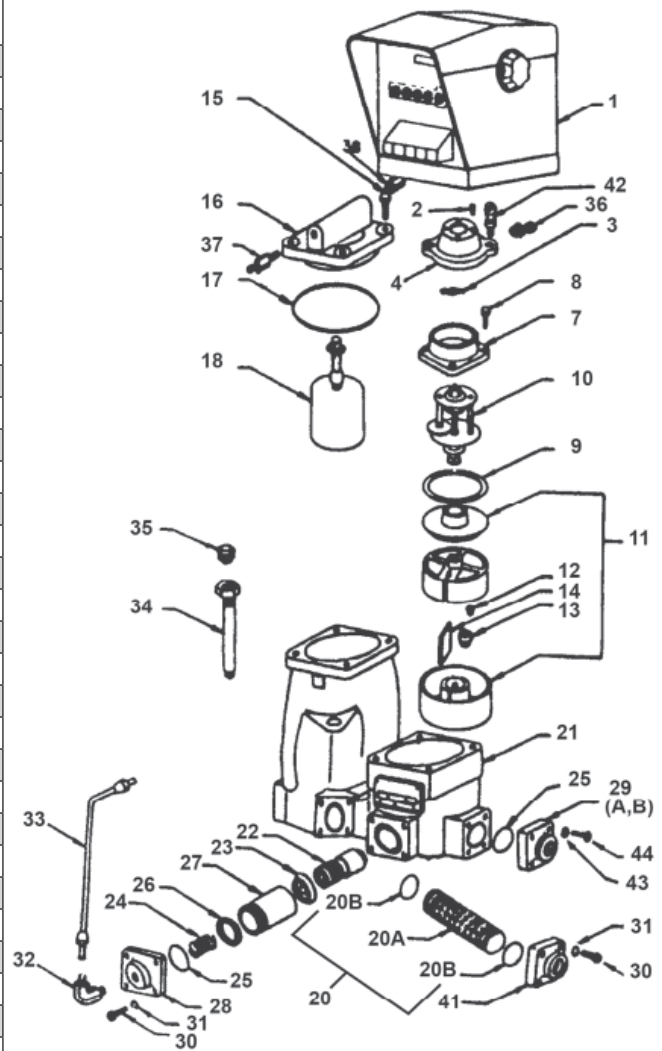
* Direct reading reset counter w/Zero start Print-O-Meter & totalizer.

1" Type 4D-MD With 800 Series Register

Ref.	Description	Item Number	Part Number
1	Register Complete — 800 Series — Gallons w/Printer	143210	880030-000
2	Screw — 10-32 X 3/8" Fil Hd	144923	733-001
3	Star Conn w/Set Screw	145464	82976-001
4	Adaptor — 800 Series Register	Special Order	101779-001
7	Main Case Cover Assembly	Special Order	400024-701
8	Cap Screw — 7/16-14 X 1 3/16" — Drilled	144761	40237-005
8	Cap Screw — 7/16-14 X 1 3/16" — Undrilled	144760	40237-004
9	Gasket — Main Case	144650	4861-016
10	Gear Train Complete — 43.5 Reduction (600; US Gal) — Large Spindle	145174	80905-017
11	Measuring Chamber Complete w/Piston	Special Order	101748-001
12	Pin — Seal	144866	42792-000
13	Roller — Control	144850	42086-000
14	Diaphragm	144865	42791-000
15	Cap Screw — 7/19-14 X 1" Hex Hd — Drilled	Special Order	100071-025
15	Cap Screw — 7/19-14 X 1" Hex Hd — Undrilled	Special Order	100071-024
16	Cover — Vapor Release *	Special Order	400021-701
17	Gasket — O-Ring	146386	100139-012
18	Vapor Release Float Assembly *	146008	87188-001
20	Strainer Kit — 88mm	Special Order	101752-701
20A	Strainer — 14 X 88 Mesh	Special Order	101738-001
20B	O-Ring — 1/8 X 1" Buna	Special Order	100139-041
21	Main Case Assembly	Special Order	400027-701
21	Pin — Measuring Chamber Locating	Special Order	100370-022
—	Kit — Valve	146350	100028-001
22	Piston — Differential Valve	146419	100160-002
23	U Cup — Valve	146349	100025-008
24	Spring	146343	100024-001
25	O-Ring — Cover	146381	100139-007
26	O-Ring — Sleeve Sealing	146379	100139-006
27	Sleeve — Valve	146347	100027-003
28	Cover — Differential Valve	Special Order	400020-702
29A	Flange — Inlet or Outlet — 3/4" NPT	Special Order	600057-000
29B	Flange — Inlet or Outlet — 1" NPT	Special Order	600057-001
30	Screw — 5/16-18 X 7/8" Hex Hd Steel — Drilled	Special Order	8325-046
30	Screw — 5/16-18 X 7/8" Hex Hd Steel — Undrilled	Special Order	8325-044
31	Lockwasher — 5/16	Special Order	41482-000
—	Tubing Kit — Vapor Release	Special Order	100017-011
32	Elbow — Male 1/4-90° (Flared Tube Fitting)	146011	87195-001
33	Tube Assy — Vapor Release	146012	87196-001
34	Thermometer Well	Special Order	1001906
35	Cover — Thermometer Well	145580	83732-000
36	Change Gears (Give Dia. & Number of Teeth)	Special Order	See Page 171
37	Connector — Male 1/4 (Flared Tube Fitting)	Special Order	100135-002
38	Connector — Male 3/8 Flared	Special Order	84826-000
41	Strainer Cover Assy	Special Order	400025-701
42	Register — Stud	145662	84435-000
43	Lockwasher — 5/16 Hi Collar	Special Order	41482-000
44	Screw 5/16-18 X 1" Hex Soc Head	Special Order	8325-044

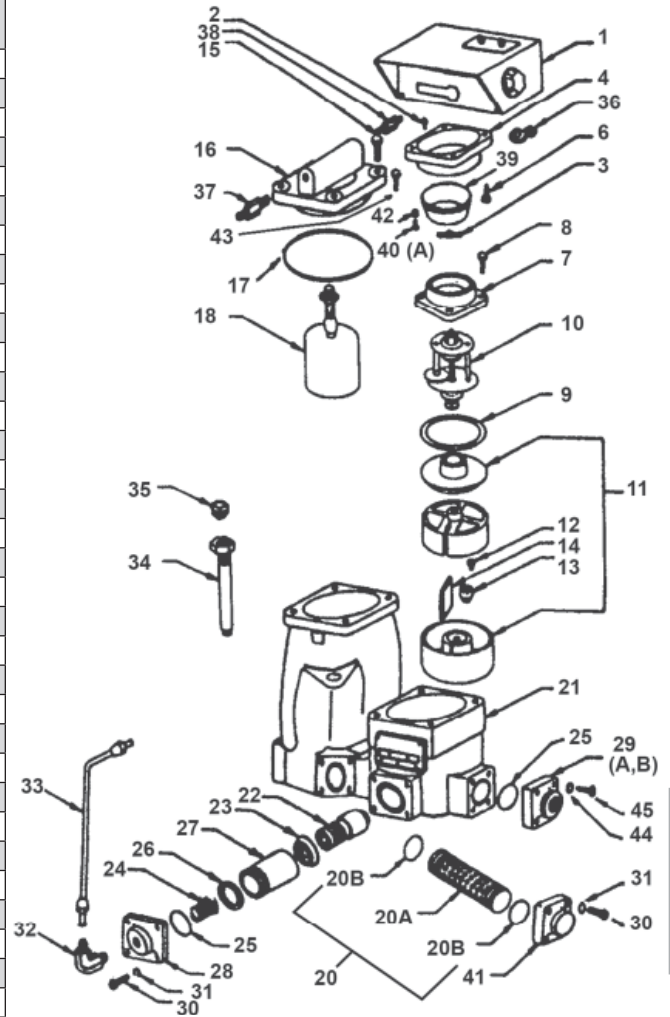
* Reference numbers 16 & 18 can be purchased as one item under cover assembly part number 400026-701.

** See Itron Form TSG-310 or Gear Change Chart on Page 171.



1" Type 4D-MD With 600 Series Register

Ref.	Description	Item Number	Part Number
1	Register Complete — 600 Series — Gallons w/ATC	146595	100498-018
	Register Complete — 600 Series — Gallons Non ATC	146175	100498-016
2	Screw — 10-32 X 3/8" Fil Hd	144293	733-001
3	Star Conn w/Set Screw	145464	82976-001
4	Adaptor — 600 Series Register	Special Order	100729-001
6	Bolt — 1/4-28 X 1/2" Hex Hd — Drilled	Special Order	100062-023
	Bolt — 1/4-28 X 1/2" Hex Hd — Undrilled	Special Order	100061-023
7	Main Case Cover Assembly	Special Order	400024-701
8	Cap Screw — 7/16-14 X 1 3/16" — Drilled	144761	40237-005
	Cap Screw — 7/16-14 X 1 3/16" — Undrilled	144760	40237-004
9	Gasket — Main Case	144650	4861-016
10	Gear Train Complete — 43.5 Reduction (600; US Gal) — Large Spindle	145174	80905-017
11	Measuring Chamber Complete w/Piston	Special Order	101748-001
12	Pin — Seal	Special Order	42792-000
13	Roller — Control	144850	42086-000
14	Diaphragm	144865	42791-000
15	Cap Screw — 7/19-14 X 1" Hex Hd — Drilled	Special Order	100071-025
	Cap Screw — 7/19-14 X 1" Hex Hd — Undrilled	Special Order	100071-024
16	Cover — Vapor Release *	Special Order	400021-701
17	Gasket — O-Ring	146386	100139-012
18	Vapor Release Float Assembly *	146008	87188-001
20	Strainer Kit — 88mm	Special Order	101752-701
20A	Strainer — 14 X 88 Mesh	Special Order	101738-001
20B	O-Ring — 1/8 X 1" Buna	Special Order	100139-041
21	Main Case Assembly	Special Order	400027-701
	Pin — Measuring Chamber Locating	Special Order	100370-022
	Kit — Valve	146350	100028-001
22	Piston — Differential Valve	146419	100160-002
23	U Cup — Valve	146349	100025-008
24	Spring	146343	100024-001
25	O-Ring — Cover	146381	100139-007
26	O-Ring — Sleeve Sealing	146379	100139-006
27	Sleeve — Valve	146347	100027-003
28	Cover — Differential Valve	Special Order	400020-702
29A	Flange — Inlet or Outlet — 3/4" NPT	Special Order	600057-000
29B	Flange — Inlet or Outlet — 1" NPT	Special Order	600057-001
30	Screw — 5/16-18 X 7/8" Hex Hd Steel — Drilled	Special Order	8325-046
	Screw — 5/16-18 X 7/8" Hex Hd Steel — Undrilled	Special Order	8325-044
31	Lockwasher — 5/16	Special Order	41482-000
—	Tubing Kit — Vapor Release	Special Order	100017-011
32	Elbow — Male 1/4-90° (Flared Tube Fitting)	146011	87195-001
33	Tube Assy — Vapor Release	146012	87196-001
34	Thermometer Well	Special Order	1001906
35	Cover — Thermometer Well	Special Order	600443-001
36	Change Gears (Give Dia. & Number of Teeth)	Special Order	See Page 171
37	Connector — Male 1/4 (Flared Tube Fitting)	Special Order	100135-002
38	Connector — Male 3/8 Flared	Special Order	84826-000
39	Register CUP	144205	138-031
40	Screw — 1/4-20 Hex Head	Special Order	100059-024
40A	Screw — 1/4-20 w/Seal Hole	Special Order	100060-090
41	Strainer Cover Assy	Special Order	400025-701
42	Sleeve — Screw	146214	100737-001
43	Screw — 10-32 X 3/8" Fil Hd	144293	733-001
44	Lockwasher — 5/16 Hi Collar	Special Order	41482-000
45	Screw 5/16-18 X 1" Hex Soc Head	Special Order	8325-044

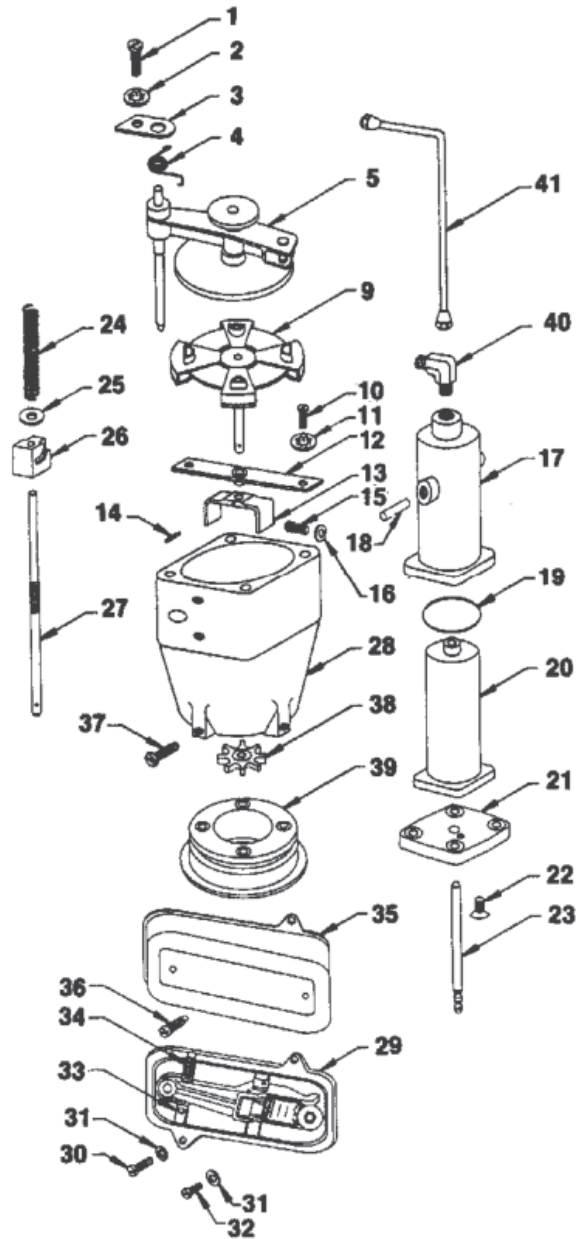


* Reference numbers 16 & 18 can be purchased as one item under cover assembly part number 400026-701.

** See Itron Form TSG-310 or Gear Change Chart on Page 171.

ATC

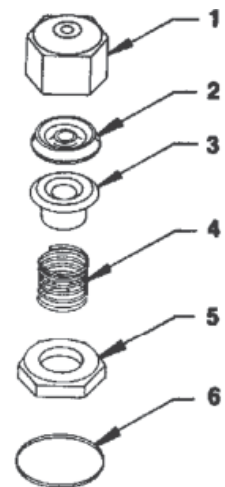
Ref.	Description	Item Number	Part Number
1	Screw — 8-32 X 3/8 LG BD-HD	Special Order	8383-003
2	Washer — Internal Tooth Lock — No. 10	146370	100122-007
3	Plate — Offset Arm Support	Special Order	101060-001
4	Spring — Offset Spider Arm	Special Order	8355-506
5	Arm Complete — Offset Spider	Special Order	84910-002
9	Ratchet & Arm Assembly	Special Order	101053-002
10	Screw — 10-32 X 3/16 Fil Hd	Special Order	88524-001
11	Washer — Internal Tooth Lock — No. 10	143670	100122-007
12	Plate Assembly — Drive	Special Order	101055-001
13	Driving Fork	145655	84192-006
14	Rollpin — 1/16 Dia. X 3/8 Steel	146330	100370-003
15	Screw — 1/4-20 X 1/2 Socket Hd	Special Order	8325-033
16	Washer — 1/4 Lock	144791	41117-000
17	Housing — Thermostat	Special Order	101048-001
18	Pin — Dowel — 3/16 Dia. X 1/2 Lg.	Special Order	8349-015
19	Gasket — O-Ring	146377	100139-005
20	Thermostat (Bellows)	145833	86646-000
21	Cover — Thermostat	Special Order	400020-003
22	Screw — 1/4-20 X 5/8 Lg. Socket Flat Hd	Special Order	8325-401
23	Pin — Thermostat	Special Order	86648-006
24	Spring — Pushrod	Special Order	84888-001
25	Washer — Spring Retaining	Special Order	88286-003
26	Swivel Block Assembly	Special Order	86612-000
27	Push Rod	Special Order	101059-001
28	Housing Assembly — ATC	Special Order	101047-001
29	Mounting Plate & Lever Arm Assembly	Special Order	86649-002
30	Screw — 10-32 X 5/8 Fil Hd	144794	41221-002
31	Lockwasher — No. 10 Steel	144795	41211-000
32	Screw — 10-32 X 5/16 Lg. Fil Hd	144293	000733-001
33	Cotter Pin — 1/16 Dia. X 3/8 Lg. Brass	Special Order	86973-000
34	Pin — Lever Arm Lock	146203	86661-001
35	Cover — Lever Arm Mounting Plate	146204	86665-000
36	Screw — Cover (10-32 Special)	144751	9287-003
37	Screw — 10-32 X 3/4 Lg. Fil Hd	144835	41750-000
38	Star Wheel	145464	82976-001
39	Adapter Mounting Ring	Special Order	101052-001
40	Elbow	Special Order	8323-001
41	Connector Tube Assembly	Special Order	101065-002
42	Screw — 10-32 X 3/4 Lg. Fil Hd. <u>Drilled</u>	Special Order	41750-002



Change Gear Chart		
Item Number	Part Number	Number Of Teeth
145225	81230-018	18
145226	81230-019	19
145227	81230-20	20
145228	81230-021	21
145230	81230-022	22
145232	81230-023	23
145233	81230-024	24
145234	81230-025	25
145235	81230-026	26
145236	81230-027	27
145237	81230-028	28
145238	81230-029	29
145239	81230-030	30
145240	81230-031	31
145241	81230-032	32
145242	81230-033	33
145243	81230-034	34
145244	81230-035	35
145245	81230-036	36

Stuffing Box — 100 & 600 Series

Ref.	Description	Item Number	Part Number
1	Stuffing Box Nut w/Bushing	145558	83536-000
2	Seal — U-Cup Shaft	146344	100025-002
3	Expander — Seal	145560	83539-000
4	Spring — Stuffing Box	145562	83540-000
5	Nut — Clamp	144204	34-000
6	Gasket — O-Ring — Gear Train	146380	10013-003

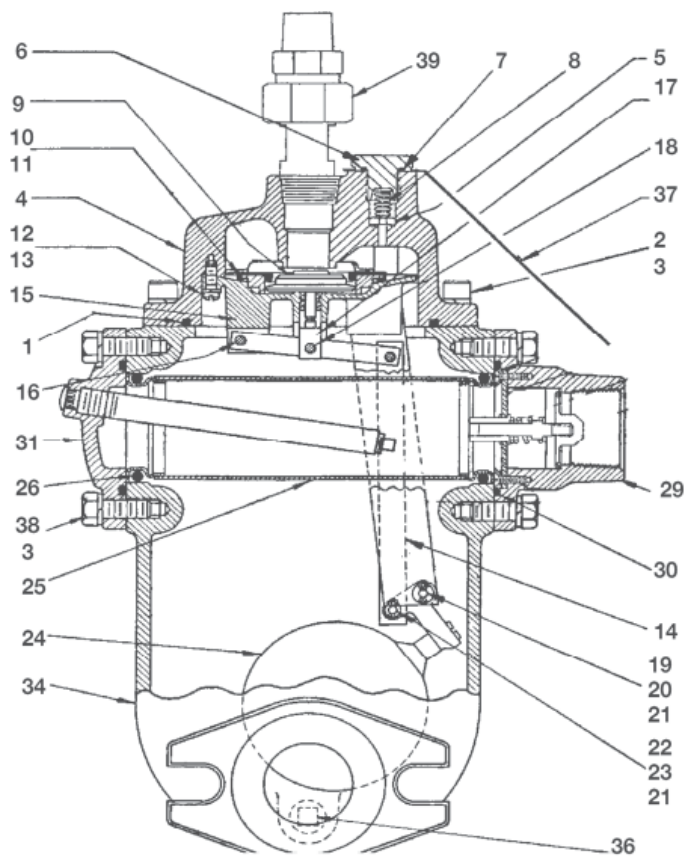


Other Types & Sizes Available for Special Order.

Vapor Release & Strainer

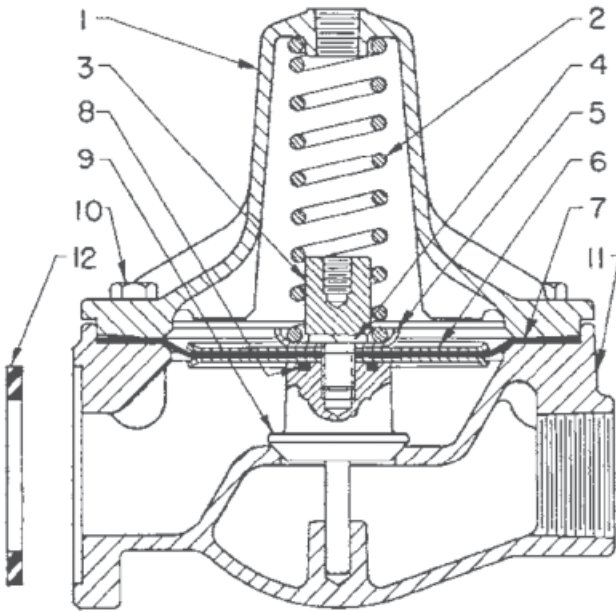
Ref.	Description	Item Number	1 1/4" & 1 1/2" Part Number
1	Gasket — O-Ring	146400	100139-022
2	Screw — 3/8-16 X 1 — Socket Hd.	144732	8325-014
3	Lockwasher — 3/8 Steel	Special Order	45828-001
	Mounting Cover w/Float	Special Order	83481-701
4	Cover Assembly Vapor Release	Special Order	400077-701
5	Valve Assembly Bypass	146424	100237-001
6	Screw & Plate Assembly	146571	100333-001
7	O-Ring — 1/16 Sect X 11/16 ID	146382	100138-006
8	Spring Compression	146345	100024-003
9	Main Valve Complete	146334	89274-006
10	Sleeve — Valve	145320	82446-005
11	Piston — Seal	145484	83179-000
12	Lockwasher — No. 10 Steel	144795	41211-000
13	Screw — 10-32 X 5/8 Fil Hd Steel	144794	41221-002
14	Lower Valve Housing Complete	145860	86797-001
	Link Assembly	146574	100334-001
15	Valve Housing w/Extensions	Special Order	82455-000
16	Rivet — Valve Lever	144767	40819-002
17	Stem — Valve	144768	83127-001
18	Pin — Valve Stem	144869	42941-000
19	Pin — Float Lever (Long)	144766	40820-003
20	Washer — Float Lever Pin (Long)	Special Order	40491-000
21	Cotter Pin — 1/16 Dia X 1/2 — Brass	Special Order	41402-000
22	Pin — Float Lever (Short)	Special Order	82633-000
23	Washer — Float Lever Pin (Short)	Special Order	41989-000
24	Float Complete	145326	82476-001
25	Strainer & Gasket Assembly (80-Mesh)	146557	101433-704
26	Gasket — Strainer — O-Ring	146406	100139-032
29	Inlet Check Valve Complete (Soft Seat)	145716	84983-704
	Parts Breakdown Page 172	-----	-----
30	Gasket — O-Ring	146385	100139-010
31	Strainer Cover (w/Thermometer Well)	145551	83485-702
	Strainer Cover (w/o Thermometer Well)	145552	83486-705
32	Washer — Plain — 7/16 Steel	-----	-----
33	Cap Screw — 7/16-14 X 1 3/8 — Hex Hd. Steel	-----	-----
34	Body — Vapor Release & Strainer	Special Order	83495-701
35	Lockwasher — 7/16 Steel	-----	-----
36	Plug — Drain	Special Order	100075-003
	Bushing — 1 1/2 X 1 1/4 (For 1 1/4" Meter)	Special Order	8384-101
37	Caution Tag	Special Order	100322-001
38	Cap Screw — 3/16 X 1 — Hex Hd. Steel		
	w/o Seal Hole	Special Order	100067-053
	w/Seal Hole	Special Order	100068-027
39	Valve — Vapor Return Check (Straight Type)	145694	84828-000

1 1/4" & 1 1/2"
84982-701



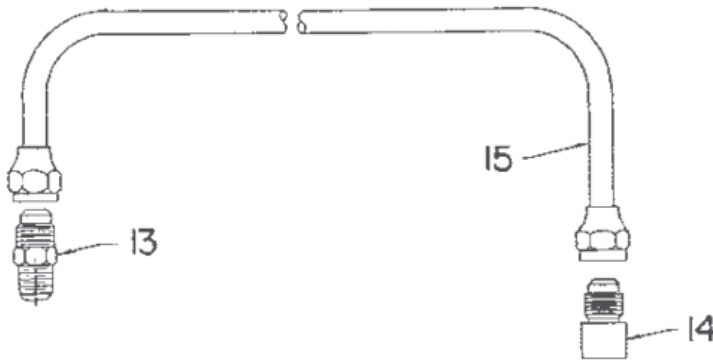
Differential Valve

1 1/4" / 1 1/2"
84985-701



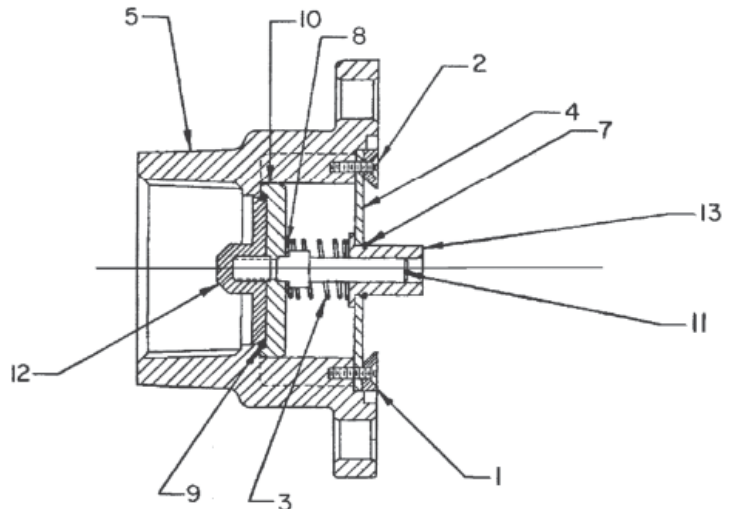
Ref.	Description	Item Number	1 1/2" Part Number
1	Cover	Special Order	400000-701
2	Spring — Valve	145588	83775-000
	Diaphragm Complete	Special Order	1001571
3	Screw — Diaphragm	145585	83774-002
4	Lockwasher — 7/16 Steel	Special Order	41012-002
5	Retainer — Spring	Special Order	83773-000
6	Retainer — Diaphragm	145587	83772-002
7	Diaphragm	146361	1000624
8	Gasket — O-Ring	146378	100139-001
9	Valve — Stem Assembled	145582	83768-002
10	Screw — 3/8-16 X 1 — Hex Hd. Steel	Special Order	100067-051
	Screw — 3/8-16 X 1 — Hex Hd. Steel w/Seal Hole	Special Order	100068-050
10A	Lockwasher — 3/8 Steel (Not Shown)	Special Order	45828-001
11	Body	143461	84986-701
12	Gasket — Flange	145250	82060-000
13	Fitting — Straight — 3/8 Flared Tube (Male Half)	Special Order	84826-000
14	Fitting — Elbow — 3/8 Flared Tube (Male Half)	Special Order	84825-001
15	Tube — Connecting — w/Nuts	145559	83937-000
	Tube — Connecting — w/Nuts (Angle Type)	-----	-----

* If valve stem (Ref. 9) or screw (Ref. 3) are not as shown in drawing, both parts must be replaced.



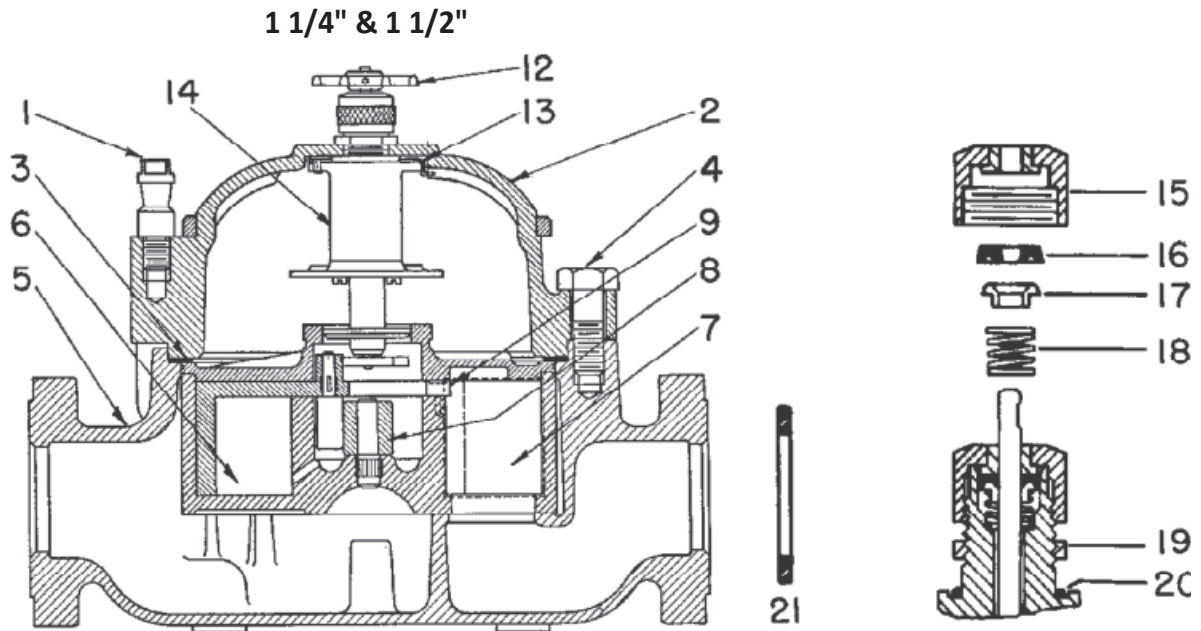
1 1/4" / 1 1/2" "Soft Seat" Inlet Check Valve

Ref.	Description	Item Number	Part Number
1	Ring — Retaining	145525	83441-000
2	Screw	145526	83442-000
3	Spring	145554	83492-000
4	Strap — Inlet Check	145561	83493-003
5	Inlet Flange	Special Order	84984-005
7	Ring — Retaining — Truarc	145783	86071-000
8	Lockwasher	144791	41117-000
9	O-Ring	146417	100146-003
10	Holder — Disk	146446	100423-002
11	Shaft — Inlet Check	146567	100896-001
12	Retainer — Disk	146568	100897-001
13	Bearing	146569	100899-001



84983-704

Flowmeter without Temperature Compensator

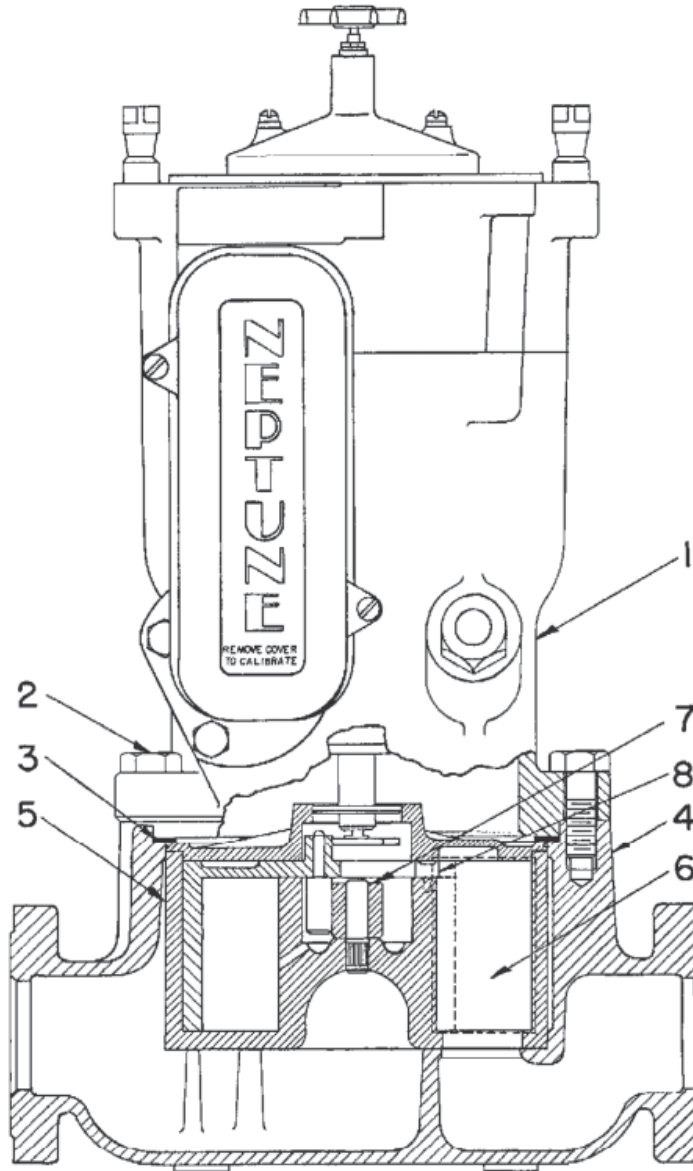


Ref.	Description	Item Number	1 1/4" Part Number	Item Number	1 1/2" Part Number
1	Stud Register Mounting	145662	84435-000	145662	84435-000
2	Cover — Main Case	Special Order	83479-701	Special Order	83479-701
3	Gasket — Main Case	144651	4862-008	144651	4862-008
4	Screw — Cap — Main Case 7/16-14 X 1 3/8	144294	795-003	144294	795-003
	Screw — Cap — Main Case (w/Seal Hole)7/16-14 X 1 3/8	Special Order	795-011	Special Order	795-011
4A	Lockwasher — 7/16 Bolt (Not Shown)	Special Order	41012-002	Special Order	41012-002
5	Main Casing w/Locating Pin	145535	83477-701	145535	84978-002
6	Measuring Chamber Complete	144923	C43260-101	145495	C83271-101
7	Diaphragm	144920	43271-000	145498	83277-000
8	Roller Control	144851	43275-000	144851	43275-000
9	Pin Seal	144866	42792-000	144866	42792-000
10	Dowel Stud — Seal Pin	-----	-----	-----	-----
11	Screw — Measuring Chamber	-----	-----	-----	-----
12	Star Connection w/Setscrew	145464	82976-001	145464	82976-001
13	Adapter — Gear Train — Non-Swivel	145719	85006-000	145719	85006-000
14	Gear Train Complete				
	9.375 Reduction U.S. Gal	-----	-----	145714	84981-000
	14.06 Reduction U.S. Gal	145556	83501-000	-----	-----
15	Stuffing Box Nut w/Bushing	145558	83536-000	145558	83536-000
16	Seal — U-Cup Shaft	146344	100025-002	146344	100025-002
17	Expander Seal	145560	83539-000	145560	83539-000
18	Spring — Stuffing Box	145562	83540-000	145562	83540-000
19	Nut Clamp	144204	34-000	144204	34-000
20	Gasket — O-Ring — Gear Train	146380	100138-003	146380	100138-003
21	Gasket — Flange	145250	82060-000	145250	82060-000

Flowmeter with Temperature Compensator

1 1/4"

1 1/2"



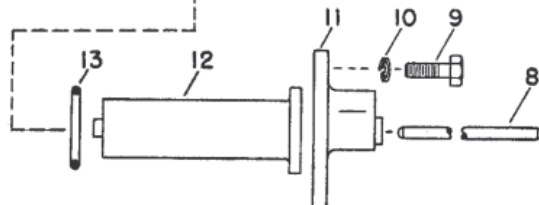
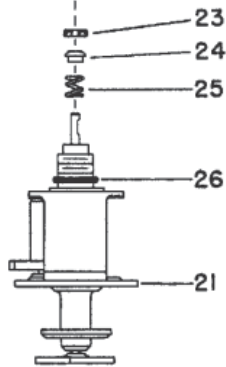
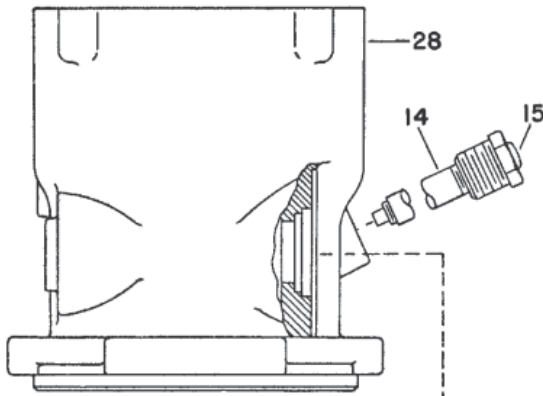
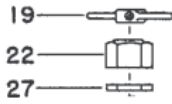
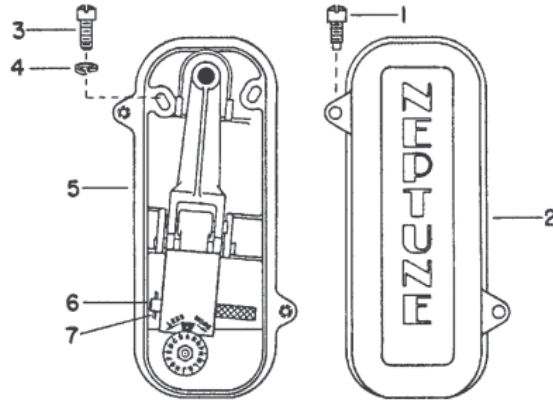
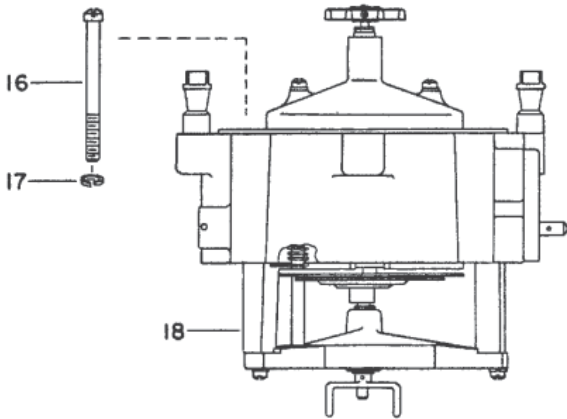
Ref.	Description	Item Number	1 1/4" Part Number	Item Number	1 1/2" Part Number
1	LP-Gas Temperature Compensator	*	*	*	*
2	Cap Screw — Main Case 7/16-14 X 1 3/8	144294	795-003	144294	795-003
	Cap Screw — Main Case (w/Seal Hole) 7/16-14 X 1 3/8	Special Order	795-011	Special Order	795-011
2A	Lockwasher — 7/16 Bolt (Not Shown)	Special Order	41012-002	Special Order	41012-002
3	Gasket	144651	4862-008	144651	4862-008
4	Main Casing w/Locating Pin	145535	83477-701	145535	84978-002
5	Measuring Chamber Complete	144923	C43260-101	145495	C83271-101
6	Diaphragm	144920	43271-000	145498	83277-000
7	Roller Control	144851	43275-000	144851	43275-000
8	Pin Seal	144866	42792-000	144866	42792-000
9	Dowel Stud — Seal Pin	-----	-----	-----	-----
10	Screw — Measuring Chamber	-----	-----	-----	-----

* Temperature Compensator parts are shown on pages 175 & 176.

Neptune 1 1/4" & 1 1/2" Breakdown



Temperature Compensator Type 1 Style 2



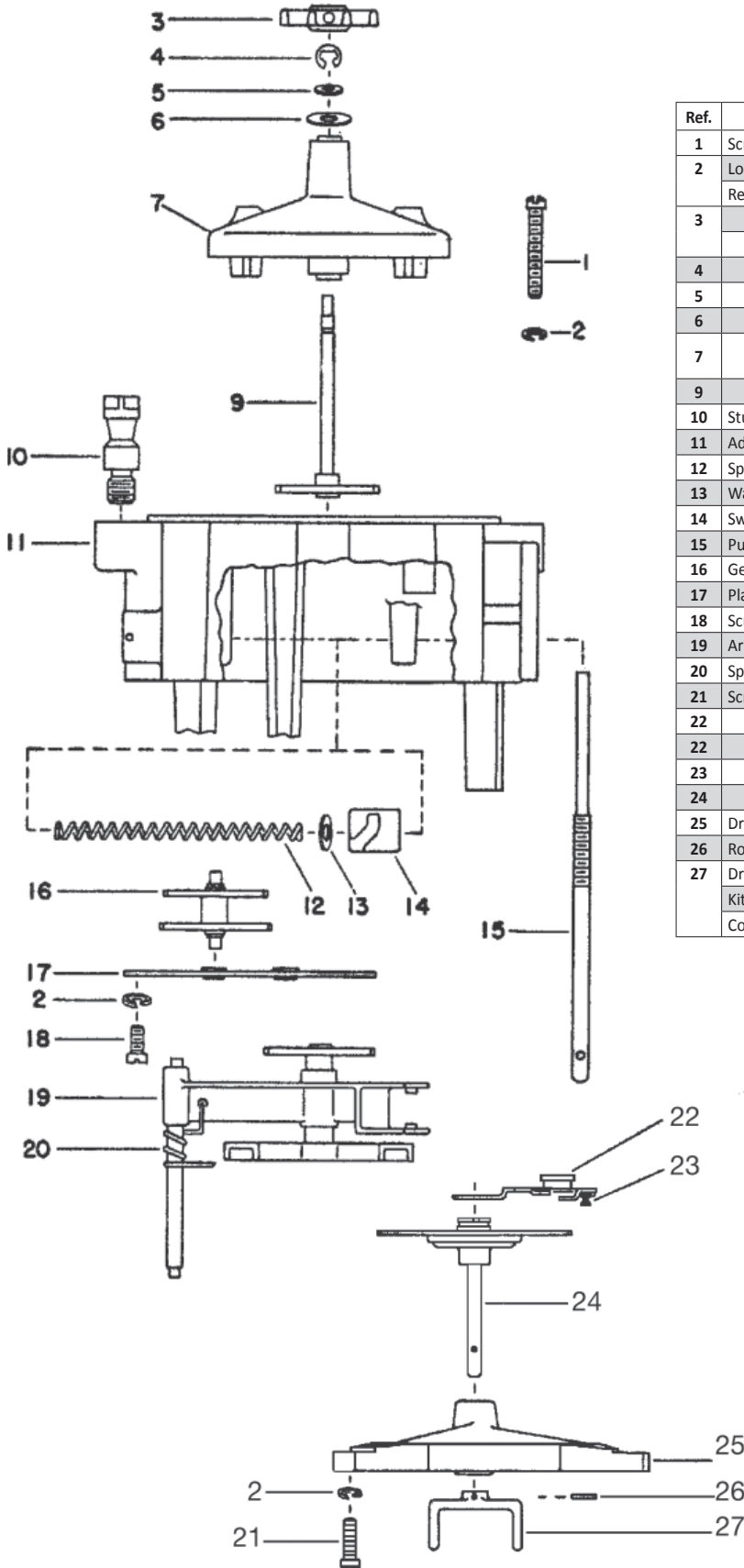
1 1/4" — 86600-00X

1 1/2" — 86600-00X

Ref.	Description	Item Number	1 1/4" Part Number	Item Number	1 1/2" Part Number
1	Screw — Cover (10-32 Special)	144751	9287-003	144751	9287-003
2	Cover — Lever Arm Mounting Plate	146204	86665-000	146204	86665-000
3	Screw — 10-32 X 5/8 — Fil Hd. Steel	144794	41221-002	144794	41221-002
4	Lockwasher — No. 10 Steel	144795	41211-000	144795	41211-000
5	Mounting Plate & Lever Arm Assembly	145838	86649-003	145838	86649-003
6	Pin — Lever Arm Lock	146203	86661-001	146203	86661-001
7	Cotter Pin — 1/16 Dia. X 3/8 — Brass	Special Order	86973-000	Special Order	86973-000
8	Pin — Thermostat	145837	86648-000	145837	86648-000
9	Screw — 1/4-20 X 3/4 — Hex Hd. Steel	Special Order	83784-000	Special Order	83784-000
10	Lockwasher — 1/4 Steel	144791	41117-000	144791	41117-000
11	Cover — Thermostat	Special Order	86647-001	Special Order	86647-001
12	Thermostat (Bellows)	145833	86646-000	145833	86646-000
13	Gasket — O-Ring — Thermostat Cover	146377	100139-005	146377	100139-005
14	Thermometer Well Complete	Special Order	1001906	Special Order	1001906
15	Cover — Thermometer Well	Special Order	600443-001	Special Order	600443-001
16	Screw — 1/4-20 X 2 1/2 — Fil Hd. Steel	144730	8302-107	144730	8302-107
17	Lockwasher — 1/4 Steel — Small	146226	88721-000	146226	88721-000
18	Adapter Unit Complete	Special Order	88602-705	Special Order	88602-705
19	Driving Arm w/Setscrew	145464	82976-001	145464	82976-001
21	Gear Train Complete				
	9.375 Reduction U.S. Gal	-----	-----	145714	84981-000
	14.06 Reduction U.S. Gal	145556	83501-000	-----	-----
22	Stuffing Box Nut w/Bushing	145558	83536-000	145558	83536-000
23	Seal — U-Cup Shaft	146344	100025-002	146344	100025-002
24	Expander Seal	145560	83539-000	145560	83539-000
25	Spring — Stuffing Box	145562	83540-000	145562	83540-000
26	Gasket — O-Ring — Gear Train	146375	100138-003	146375	100138-003
27	Nut Clamp	144204	34-000	144204	34-000
28	Housing — Compensator	Special Order	86601-701	Special Order	86601-701

Temperature Compensator Type 1 Style 2

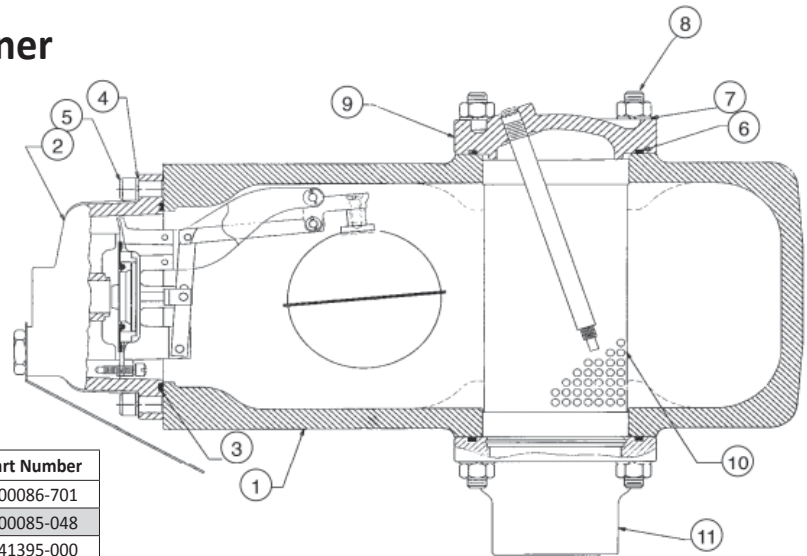
Part No. 86600-00X



Ref.	Description	Item Number	Part Number
1	Screw — 10-32 X 1 1/4 — Fil Hd. Steel	146306	89073-000
2	Lockwasher — No. 10 Steel	144795	41211-000
	Register Drive Bracket Complete	Special Order	84890-004
3	Star Connection w/Setscrew	145464	82976-001
	Setscrew — 8-32 X 3/16 Hollow Hd.	Special Order	8538-027
4	Ring — Retaining (Truarc — Type E)	146128	88462-000
5	Washer — Drive Shaft	144752	8571-014
6	Slim — Drive Shaft	145019	46652-001
7	Bracket Assy w/Bushings (included in Part# 84890-004)	-----	-----
9	Gear Complete — Intermediate (41-Tooth)	145820	86554-001
10	Stud — Register Mounting	145662	84435-000
11	Adapter w/Plug & Bushing	Special Order	84921-003
12	Spring — Push Rod	Special Order	84888-000
13	Washer — Spring Retaining	Special Order	88286-003
14	Swivel Block Assembled	Special Order	86612-000
15	Push Rod	Special Order	86611-001
16	Gears & Shaft Assembly (41 & 35 Teeth)	145705	84907-001
17	Plate & Bushing Assembly — Idler Gear — Retaining	145827	86609-000
18	Screw — 10-32 X 3/8 — Fil Hd. Steel	146155	88524-000
19	Arm Complete — Offset Spider (w/31-Tooth Gear)	145712	84910-003
20	Spring — Offset Spider Gear	Special Order	86645-000
21	Screw — 10-32 X 5/8 — Fil Hd. Steel	144794	41221-002
22	Arm Assembly — No. 1 — 2 Reg.	146608	100922-001
22	Arm Assembly — No. 2 — 2 Reg.	146609	100922-002
23	Spring — Ratchet Pawl	145741	86063-000
24	Ratchet & Shaft — Assembly	Special Order	100915-002
25	Drive Bracket Assembled (w/Bushings)	145717	84914-000
26	Rollpin — 1/16 Dia. X 3/8 — Steel	146440	100370-003
27	Drive Fork	145655	84192-006
	Kit — Replacement — Metal w/Plastic	Special Order	101732-001
	Conversion Kit — Metal to Plastic	Special Order	101732-001

Drive Bracket Assy. Complete w/Ratchet & Arms. Part No. 84913-002 (145711)

Type 4D-MT Vapor Release & Strainer

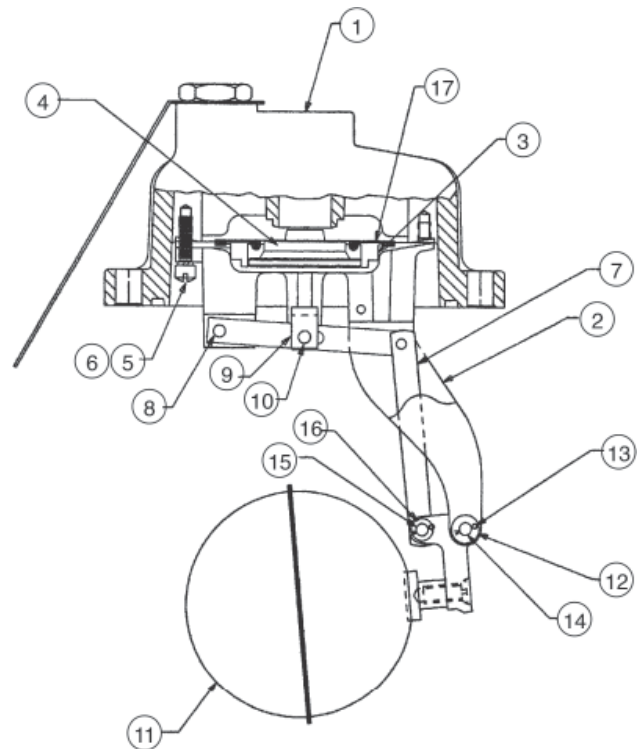


400076-701

Ref.	Description	Item Number	Part Number
1	Main Body Assembly — 4D-MT Vapor Release	Special Order	400086-701
	Bolt — 5/8 11x1 3/4 (Not Shown)	Special Order	100085-048
	Washer	Special Order	041395-000
	Pipe Plug 3/8" Square Head	Special Order	100075-010
2	Cover Complete - 2" 4D-MT Vapor Release	Special Order	400078-001
3	O-Ring 1/8 Dia. X 4 1/2 ID BUNA	146400	100139-022
4	Washer — 3/8 Lock Hel Spring Hi-Collar	146572	100440-001
5	Screw — 3/8-16 X 1 Soc. Head Cap	144732	008325-014
6	O-Ring 1/8 Dia. X 3 3/4 ID BUNA	146391	100139-018
7	Washer — Lock 7/16 Bolt St. Stl.	Special Order	041012-002
8	Bolt — 7/16-14 X 1 3/8 HRX	144294	000795-003
9	Cover Complete - 2" Type 4D-MT Strainer	Special Order	400074-001
10	Strainer Complete 80 Mesh 2" Type 4D	Special Order	101405-004
11	Valve — ASM Inlet Check 2" Type 4D	145685	084813-702
12	O-Ring Outlet Flange (Not Shown)	Special Order	100139-013

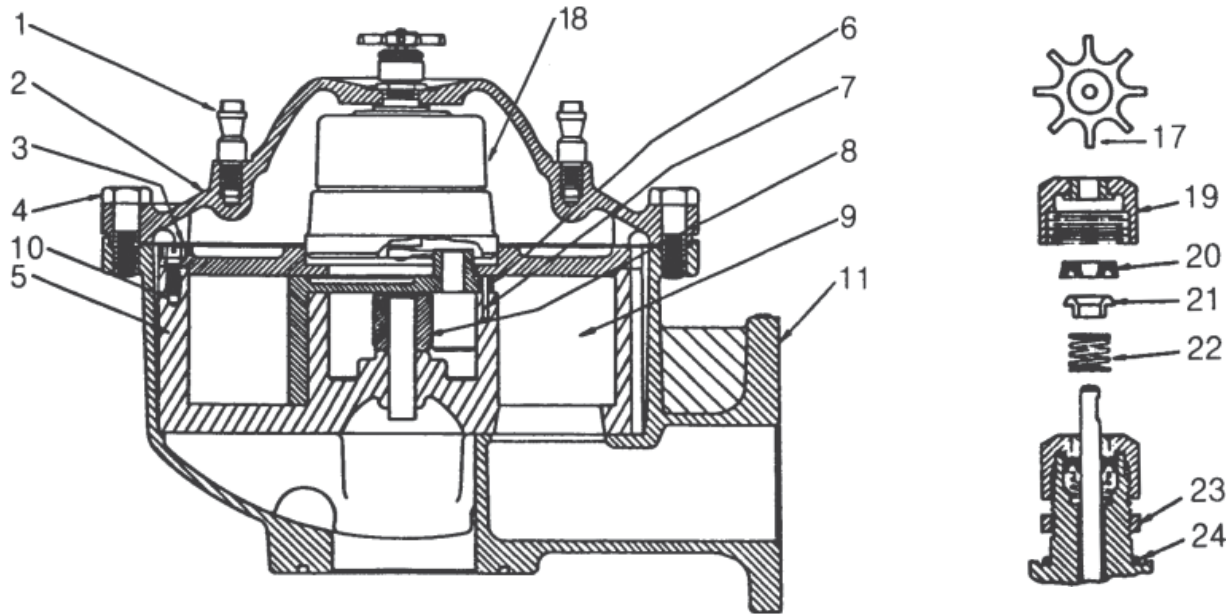
Type 4D-MT Vapor Release Cover

Ref.	Description	Item Number	Part Number
1	2" 4D-MT Vapor Release Cover Assembly	Special Order	400077-701
	Screw — 5/8-18 Hex. Hd. Retainer	Special Order	004853-008
	Spring — Compression	146345	100024-003
	O-Ring — 1/16 Sect. X 11/16 ID BUNA N	146382	100138-006
	Valve Assembly — Bypass Aluminum w/BUNA N Seat	146424	100237-001
	Tag — Precaution	Special Order	100322-001
	2	Housing — ASM Low Volume & Extended	Special Order
3	Sleeve — Air Release — Aluminum	145320	082446-005
4	Valve Assembly — Main A/R (BRZ-BUNA N)	146334	089274-006
5	Screw — 10-32 X 5/8 Fil. Hd. 303 SST	144794	041221-002
6	Lockwasher — No. 10 Spring Steel	144795	041211-000
7	Link Assy. — Connect — Stl.	Special Order	080002-002
8	Pin — 0.187 ODS 21/32 LG	144767	040819-002
9	Stem — Valve PST Type A/Rel. BRZ	144768	083127-001
10	Pin — Valve Lever & Stem Air Release	144869	042941-000
11	Float Complete	145326	082476-001
12	Spacer Drive Gear Hub VSB Reg. Brass	Special Order	040491-000
13	Pin — Cotter 1/16 Dia. X 1/2 Lg.	Special Order	041402-000
14	Pin — Float Lever — A/R Valve	144766	040820-003
15	Pin — V Connection 3/16 OD X 11/16 Lg. BRZ	Special Order	082633-000
16	Washer No. 10 Screw	Special Order	041989-000
17	Seal — Piston Air Release Units	145484	083179-000



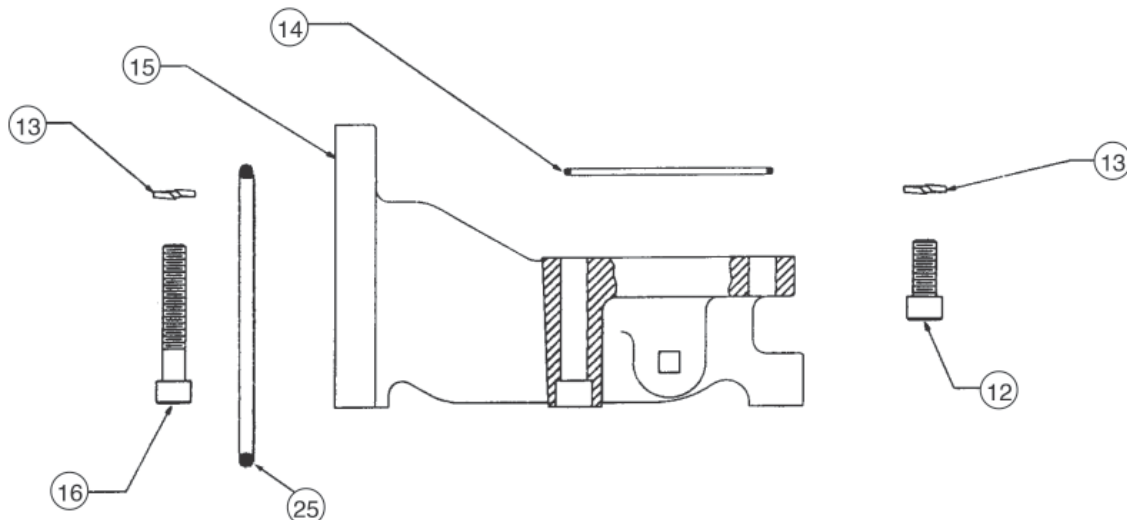
400078-001

Flowmeter without Temperature Compensator Type 4-MT & Type 4D-MT

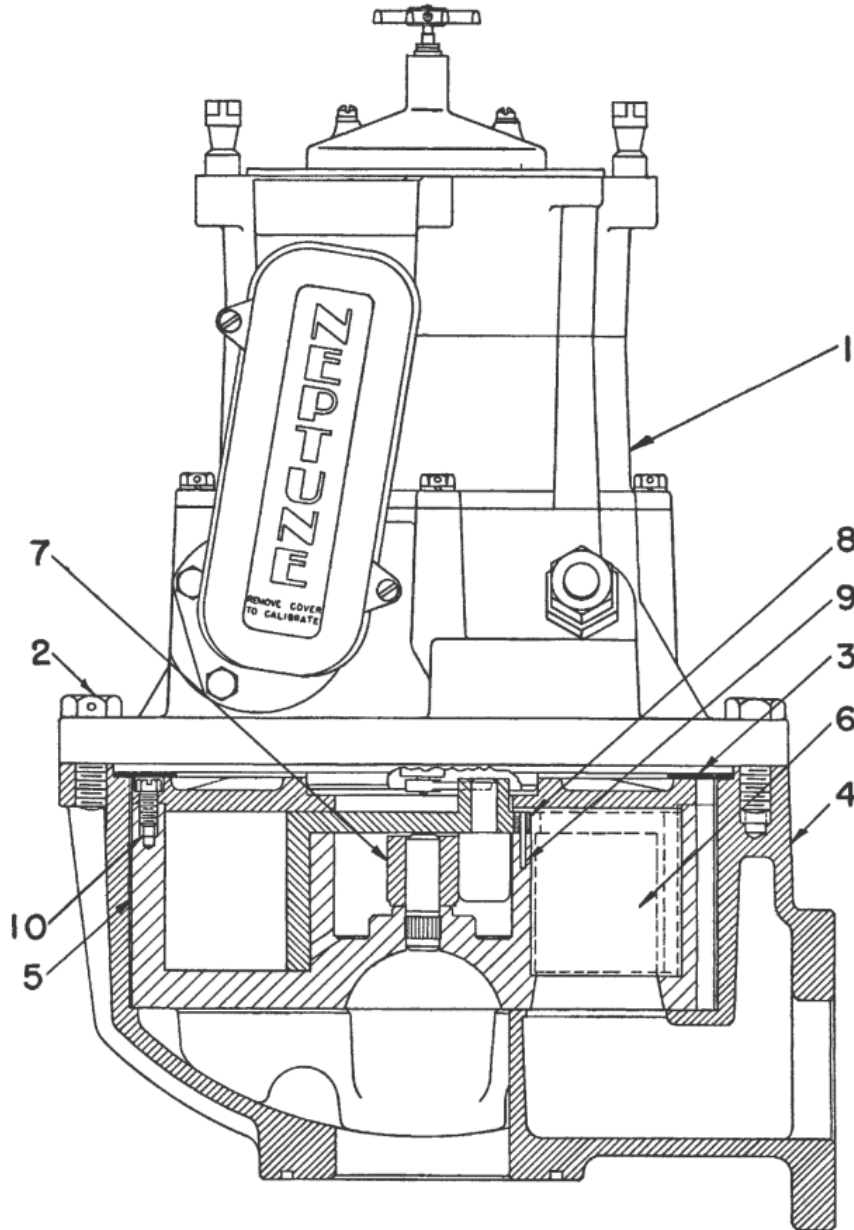


Ref.	Description	Item Number	Part Number
1	Stud Register Mounting	145662	84435-000
2	Cover — Main Case	Special Order	400071-001
3	Gasket — Main Case	145681	84806-000
4	Screw Cap — Main Case	144294	795-003
	Screw Cap — Main Case (w/Seal Hole)	Special Order	795-011
5	Measuring Chamber Complete	145017	C45806-101
6	Pin Seal	144861	42546-000
7	Dowel Stud — Seal Pin	Special Order	5211-001
8	Roller Control	144853	42316-001
9	Diaphragm	144852	42312-001
10	Screw — Measuring Chamber	146199	88638-000
11	Main Case w/Locating Pin	Special Order	400072-701
12	Screw — 7/16-14 X 1 1/2" Cap Skt Hd.	Special Order	8325-041
13	Lockwasher — 7/16 Steel	Special Order	41012-002

Ref.	Description	Item Number	Part Number
14	Gasket — Connector	146391	100139-018
15	Connector w/Plug — Meter-to-Vapor Release	Special Order	400079-001
16	Screw — 7/16-14 X 3" Cap Skt. Hd.	Special Order	8325-040
17	Star connection w/Setscrew	Special Order	82976-001
18	Gear Train Complete		
	3.75 Reduction US Gal	145557	83502-000
19	Stuffing Box Nut w/Bushing	145558	83536-000
20	Seal — U-Cup Shaft	146344	100025-002
21	Expander Seal	145560	83539-000
22	Spring — Stuffing Box	145562	83540-000
23	Nut Clamp	144204	34-000
24	Gasket — O-Ring — Gear Train	146380	100138-003
25	O-Ring — 1/8 Dia. X 3 3/8 ID BUNA	Special Order	100138-013



Flowmeter without Temperature Compensator Type 4-MT & Type 4D-MT

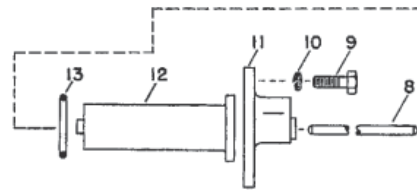
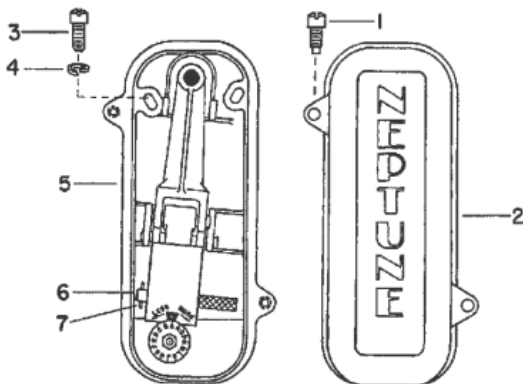
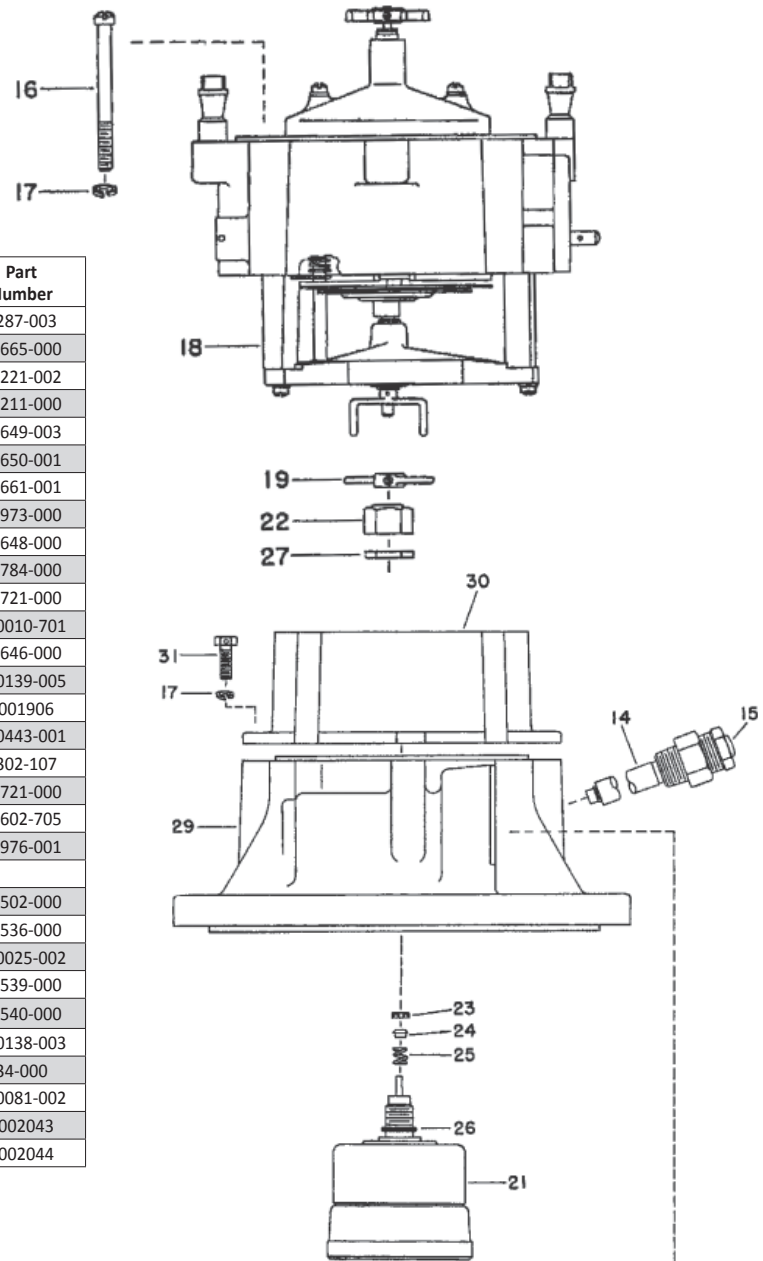


Ref.	Description	Item Number	Part Number
1	LP-Gas Temperature Compensator	*	*
2	Cap Screw — Main Case	144294	795-003
	Cap Screw — Main Case (w/Seal Hole)	Special Order	795-011
3	Gasket	145681	84806-000
4	Main Casing w/Locating Pin	Special Order	400072-001
5	Measuring Chamber Complete	145017	C45806-101
6	Diaphragm	144852	42312-001
7	Roller — Control	144853	42316-001
8	Pin Seal	144861	42546-000
9	Dowel Stud Seal Pin	Special Order	5211-001
10	Screw — Measuring Chamber	146199	88638-000

* Temperature Compensator Parts are Shown on pages 178 & 179.

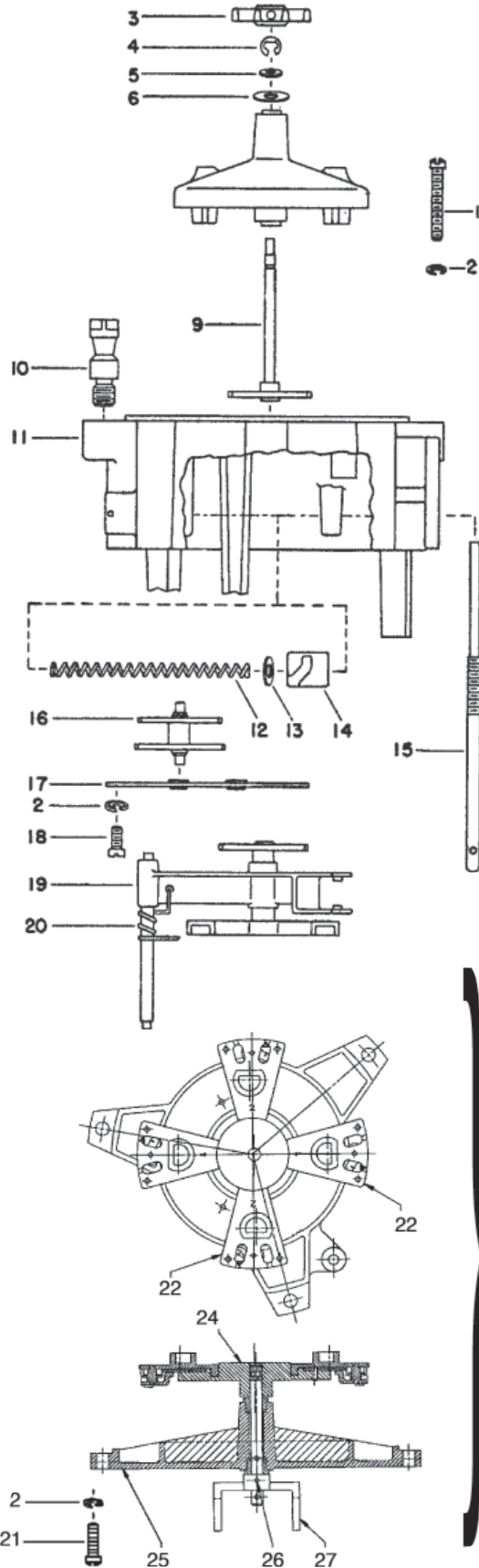
Temperature Compensator — Type 1 Style 2

Ref.	Description	Item Number	Part Number
1	Screw — Cover (10-32 Special)	144751	9287-003
2	Cover — Lever Arm Mounting Plate	146204	86665-000
3	Screw — 10-32 X 5/8 — Fil Hd. Steel	144794	41221-002
4	Lockwasher — No. 10 Steel	144795	41211-000
5	Mounting Plate & Lever Arm Assembly (4D-MT)	145838	86649-003
	Mounting Plate & Lever Arm Assembly (4-MT)	Special Order	87650-001
6	Pin — Lever Arm Lock	146203	86661-001
7	Cotter Pin — 1/16 Dia. X 3/8 — Brass	Special Order	86973-000
8	Pin — Thermostat	145837	86648-000
9	Screw — 1/4-20 X 3/4 — Hex Hd. Steel	Special Order	83784-000
10	Lockwasher — 1/4 Steel	146226	88721-000
11	Cover — Thermostat	Special Order	400010-701
12	Thermostat (Bellows)	145833	86646-000
13	Gasket — O-Ring — Thermostat Cover	146377	100139-005
14	Thermometer Well Complete	Special Order	1001906
15	Cover — Thermometer Well	Special Order	600443-001
16	Screw — 1/4-20 X 2 1/2 — Fil Hd. Steel	144730	8302-107
17	Lockwasher — 1/4 Steel — Small	146226	88721-000
18	Adapter Unit Complete	Special Order	88602-705
19	Driving Arm w/Setscrew	145464	82976-001
21	Gear Train Complete		
	3.75 Reduction U.S. Gal	145557	83502-000
22	Stuffing Box Nut w/Bushing	145558	83536-000
23	Seal — U-Cup Shaft	146344	100025-002
24	Expander Seal	145560	83539-000
25	Spring — Stuffing Box	145562	83540-000
26	Gasket — O-Ring — Gear Train	146380	100138-003
27	Nut Clamp	144204	34-000
29	Main Case Cover w/Locking Pin	Special Order	400081-002
30	Spacer	Special Order	1002043
31	Screw — 1/4-20 X 1 1/8 Socket Hex Hd. Steel	Special Order	1002044



Temperature Compensator Adapter Unit Complete

Part No. 86602-705



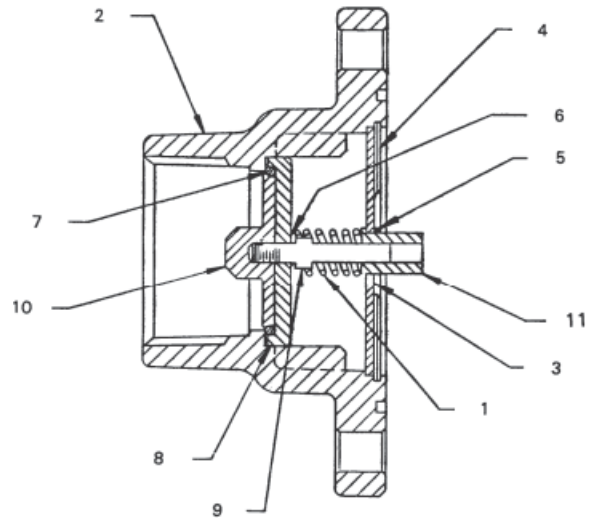
Ref.	Description	Item Number	Part Number
1	Screw — 10-32 X 1 1/4 — Fil Hd. Steel	146306	89073-000
2	Lockwasher — No. 10 Steel	144795	41211-000
	Register Drive Bracket Complete	Special Order	84890-004
3	Star Connection w/Setscrew	145464	82976-001
	Setscrew — 8-32 X 3/16 Hollow Hd.	Special Order	8538-027
4	Ring — Retaining (Truarc — Type E)	146128	88462-000
5	Washer — Drive Shaft	144752	8571-014
6	Slim — Drive Shaft	145019	46652-001
9	Gear Complete — Intermediate (41-Tooth)	145820	86554-001
10	Stud — Register Mounting	145662	84435-000
11	Adapter w/Plug & Bushing	Special Order	84921-003
12	Spring — Push Rod	Special Order	84888-000
13	Washer — Spring Retaining	Special Order	88286-003
14	Swivel Block Assembled	Special Order	86612-000
15	Push Rod	Special Order	86611-001
16	Gears & Shaft Assembly (41 & 35 Teeth)	145705	84907-001
17	Plate & Bushing Assembly — Idler Gear — Retaining	145827	86609-000
18	Screw — 10-32 X 3/8 — Fil Hd. Steel	146155	88524-000
19	Arm Complete — Offset Spider (w/31-Tooth Gear)	145712	84910-003
20	Spring — Offset Spider Gear	Special Order	86645-000
21	Screw — 10-32 X 5/8 — Fil Hd. Steel	144794	41221-002
22	Arm Assembly — No. 1 — 2 Reg.	146608	100922-001
22	Arm Assembly — No. 2 — 2 Reg.	146609	100922-002
23	Spring — Ratchet Pawl (Not Shown)	145741	86063-000
24	Ratchet & Shaft — Assembly	Special Order	100914-002
25	Drive Bracket Assembled (w/Bushings)	145717	84914-000
26	Rollpin — 1/16 Dia. X 3/8 — Steel	146440	100370-003
27	Drive Fork	145655	84192-006
	Kit — Replacement — Metal w/Plastic	Special Order	101732-001
	Conversion Kit — Metal to Plastic	Special Order	101732-001

Drive Bracket Assy. Complete w/Ratchet & Arms.
Part No. 84913-002 (145711)

"Soft Seat" Inlet Check Valve Type 4D-MT

Part Number 0841813-702

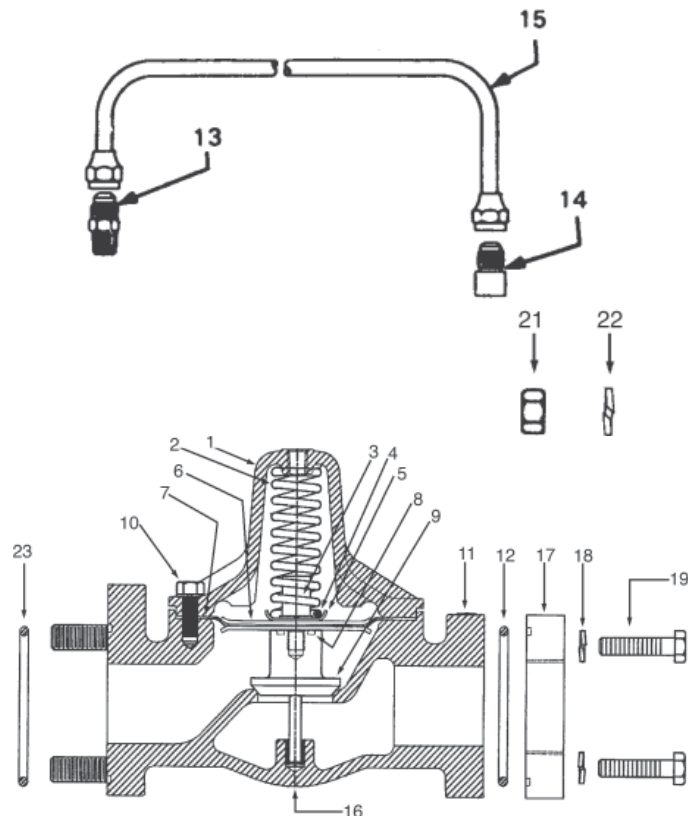
Ref.	Description	Item Number	Part Number
1	Spring	145554	83492-000
2	Inlet Flange	Special Order	84814-003
3	Strap — Inlet Check	145687	84816-001
4	Ring — Retaining	145688	84817-000
5	Ring — Retaining — Truarc	145783	86071-000
6	Lockwasher	144791	041117-000
7	O-Ring	146406	100139-032
8	Holder — Disk	146453	100374-002
9	Shaft — Inlet Check	146567	100896-001
10	Retainer — Disk	146454	100898-001
11	Bearing	146569	100899-001



Differential Valve — Type 4D-MT

Part Number: 400070-701 w/2" Companion Flange
400070-701 w/1 1/2" Companion Flange

Ref.	Description	Item Number	Part Number
1	Cover	Special Order	400000-701
2	Spring — Valve	145588	83775-000
	Diaphragm Complete	Special Order	1001569
3	Screw — Diaphragm	145585	83774-002
4	Lockwasher — 7/16 Steel	Special Order	41012-002
5	Retainer — Spring	Special Order	83773-000
6	Retainer — Diaphragm	145587	83772-002
7	Diaphragm	146361	1000624
8	Gasket — O-Ring	146378	100139-001
9	Valve — Stem Assembled	145616	83927-002
10	Screw — 3/8-16 X 1 — Hex Hd. Steel	Special Order	100067-051
	Screw — 3/8-16 X 1 — Hex Hd. Steel w/Seal Hole	Special Order	100068-050
10A	Lockwasher — 3/8 Steel (Not Shown)	Special Order	45828-001
11	Body	Special Order	400013-703
	(Stud)	Special Order	1931-000
12	Gasket — O-Ring 1/8 X 3 3/4	146391	100139-018
13	Fitting — Straight — 3/8 Flared Tube (Male Half)	Special Order	84826-000
14	Fitting — Elbow — 3/8 Flared Tube (Male Half)	Special Order	84825-001
15	Tube — Connecting — w/Nuts	Special Order	84823-000
	Tube — Connecting — w/Nuts (Angle Type)	Special Order	84821-000
16	Bushing	Special Order	8343-001
17	Flange — 2" NPT	Special Order	86814-001
	Flange — 1 1/2" NPT	Special Order	86814-002
18	Lockwasher	Special Order	41012-002
19	Screw	Special Order	100071-101
20	Ventline Check Valve (Not Shown)	145694	84828-000
21	Nut 5/8-11	Special Order	41224-000
22	Lockwasher	Special Order	41395-000
23	Gasket — O-Ring	Special Order	100139-013

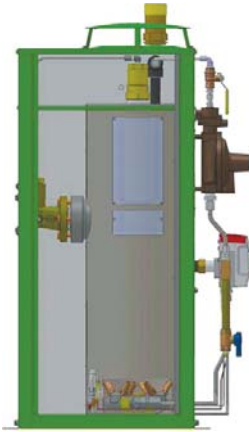
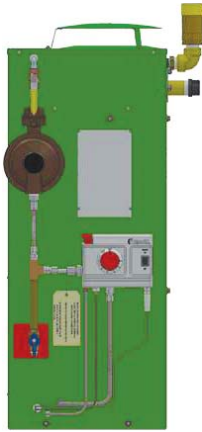


Algas Direct Fired Vaporizer



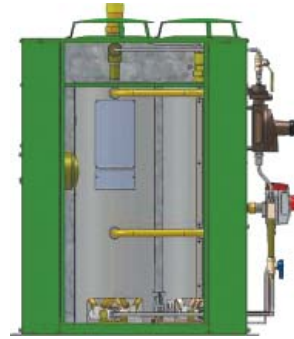
Algas Direct Fired LPG Vaporizer									
Item Number	Part Number	Propane Vaporization Capacity		Connections		Shipping Dimensions			Shipping Weight Lbs.
		Gallons/hr	Million BTU/hr	Liquid Inlet	Vapor Outlet	Depth	Height	Width	
710005	40/40H	40	3.64	3/4" FNPT	1" FNPT	21"	41"	22"	155
710020	80/40H	80	7.28			21"	41"	35"	220
710025	120/60H	120	10.92			21"	50"	35"	275
710043	160H	160	14.56			21"	62"	15"	405
710044	320H	320	29.12	2" FNPT	2" FNPT	21"	62"	29"	810
710045	480H	480	43.68			21"	62"	43"	1215
710046	640H	640	58.24			21"	62"	57"	1620





Ref No.	Description	All Units		Serial No's After A02J0015142 Oct 2002 to Present		Serial No's Before A02J0015142 Before Oct 2002		Comments All Units	
		Item Number	Part Number	Item Number	Part Number	Item Number	Part Number	Comments Post 10.02	Comments Pre 10.02
1	1/4" NPT Ball Valve	Special Order	33819	-----	-----	-----	-----		
2	3/4" NPT Strainer	707433	30655	-----	-----	-----	-----	Old Part #'s 8138-132, 3-3940	
5	Burner Manifold Assembly	-----	-----	707870	1502-4006	708110	40C39A		
6	Burner Regulator	708152	34800	-----	-----	-----	-----	Old Part # 8122-176	
7	Burner Regulator Supply Tube Kit	707524	40542	-----	-----	-----	-----	Old Part # 3-0776	
8	Burner Supply Tube Kit	707840	42012	-----	-----	-----	-----	Old Part # 41022	Old Part# 3-0782
9	Burner Tip	-----	-----	707744	33581	708102	40C14		
11	Capacity Control Tube Kit	707154	42013	-----	-----	-----	-----	Old Part # 3-0778	
12	Capacity Control Valve - 1" Outlet	708117	1508-4001	-----	-----	-----	-----	Old Part # 40C68	
13	Capacity Control Valve Piston - 1/2" Outlet	708114	40C66	-----	-----	-----	-----		
13	Capacity Control Valve Piston - 1" Outlet	Special Order	1508-5005	-----	-----	-----	-----		
14	Capacity Control Valve Repair Kit	707017	3-0017	-----	-----	-----	-----		
18	Door Latch	-----	-----	707782	37110	707106	3-0506		
20	Drip Leg Kit	707804	40403	-----	-----	-----	-----	Old Part # 41025	Old Part# 451-51-01
23	Heat Exchanger Support Spacer	708104	34996	-----	-----	-----	-----	Old Part # 40C30	
25	Liquid Inlet Valve	708116	1501-4001	-----	-----	-----	-----	Old Part # 3-4150	
27	Liquid Inlet Valve Orifice	707502	40539	-----	-----	-----	-----	Old Part # 3-4152	
28	Liquid Inlet Valve Repair Kit	707016	3-0016	-----	-----	-----	-----		
29	Master Rebuild Kit	-----	-----	707848	81111	708410	451-504-01		
30	Master Repair Kit	-----	-----	707034	3-0034	707002	3-0002	81109 Obsolete - Use 3-0034	
31	Pilot Assembly Kit	707852	42008	-----	-----	-----	-----	Old Part # 81113 - 0631 Obsolete	
32	Pilot Flame Guide	-----	-----	707872	1502-5010	-----	N/A		
33	Pilot Orifice & Thermocouple Kit	707014	3-0014	-----	-----	-----	-----		
34	Pilot Supply Tube Kit	707842	42014	-----	-----	-----	-----	Old Part # 41024	Old Part# 3-0777
35	Relief Valve	-----	-----	Special Order	34876	Special Order	8121-106	Old Part # 35009	Same
37	Thermocouple	708128	46-4	-----	-----	-----	-----	Old Part # 46-5	
39	Thermostat Cover	707854	1501-5015-02	-----	-----	-----	-----	451-402-01 Obsolete	
41	Thermostat Kit	707453	41073	-----	-----	-----	-----	80967 Obsolete	
42	Vent Cap Covers - Replaceable	707501	1501-4015	-----	-----	-----	-----	451-405-01, 3-0522, & 81114 Obsolete	
43	Tubing Replacement Kit	707499	42015	-----	-----	-----	-----	Old Part # 40401	Old Part# 451-502-01
44	Vapor Outlet Reducer	707114	3-0549	-----	-----	-----	-----		
48	Thermostat Kit	707452	41073	-----	-----	-----	-----	41026 & 80967 Obsolete	
50	Vent Cap Covers - Replaceable	707501	1501-4015	-----	-----	-----	-----	452-403-01, 3-0560, & 81115 Are Obsolete	
52	Tubing Replacement Kit	707499	42015	-----	-----	-----	-----	Old Part # 40402	Old Part# 452-502-01
53	Vapor Outlet Reducer	707114	3-0549	-----	-----	-----	-----		

80/40H & 120/60H Breakdown



Ref No.	Description	All Units		Serial No's After A02J0015142 Oct 2002 to Present		Serial No's Before A02J0015142 Before Oct 2002		Comments All Units	
		Item Number	Part Number	Item Number	Part Number	Item Number	Part Number	Comments Post 10.02	Comments Pre 10.02
1	1/4" NPT Ball Valve	Special Order	33819	-----	-----	-----	-----		
2	3/4" NPT Strainer	707433	30655	-----	-----	-----	-----	Old Part #'s 8138-132, 3-3940	
5	Burner Manifold Assembly	707164	3-0783	-----	-----	-----	-----	Old Part # 1502-4006	Old Part # 40C39A
6	Burner Regulator	708152	34800	-----	-----	-----	-----	Old Part # 8122-176	
7	Burner Regulator Supply Tube Kit	707524	40542	-----	-----	-----	-----	Old Part # 3-0776	
8	Burner Supply Tube Kit	707840	42012	-----	-----	-----	-----	Old Part # 41022	Old Part# 3-0782
9	Burner Tip	-----	-----	707744	33581	708102	40C14		
11	Capacity Control Tube Kit	707154	42013	-----	-----	-----	-----	Old Part # 3-0778	
12	Capacity Control Valve - 1" Outlet	708117	1508-4001	-----	-----	-----	-----	Old Part # 40C68	
13	Capacity Control Valve Piston - 1/2" Outlet	708114	40C66	-----	-----	-----	-----		
13	Capacity Control Valve Piston - 1" Outlet	Special Order	1508-5005	-----	-----	-----	-----		
14	Capacity Control Valve Repair Kit	707017	3-0017	-----	-----	-----	-----		
18	Door Latch	-----	-----	-----	-----	707106	3-0506		
20	Drip Leg Kit	707804	40403	-----	-----	-----	-----	Old Part # 41025	Old Part# 451-51-01
21	Pilot Flame Guide	-----	-----	-----	-----	707131	3-0642	Old Part # 1504-5013	
26	Heat Exchanger Conn. Tube Kit	707161	3-0792	-----	-----	-----	-----		
27	Heat Exchanger Support Spacer	708104	34996	-----	-----	-----	-----	Old Part # 40C30	
29	Left Burner Manifold	-----	-----	707998	1504-4004	708108	40C39		
30	Liquid Inlet Valve	708116	1501-4001	-----	-----	-----	-----		
32	Liquid Inlet Valve Orifice Kit	707502	40539	-----	-----	-----	-----		
33	Liquid Inlet Valve Repair Kit	707016	3-0016	-----	-----	-----	-----		
34	Master Rebuild Kit - 80/40H	-----	-----	707850	81112	707700	452-504-01	Old Part # 81111	Old Part # 451-504-01
34	Master Rebuild Kit - 120/60H	707666	41042	-----	-----	-----	-----		
35	Master Repair Kit - 80/40H	-----	-----	707035	3-0034	707003	3-0003	Old Part # 3-0034	Old Part # 3-0002
35	Master Repair Kit - 120/60H	Special Order	41040	-----	-----	-----	-----		
36	Pilot Assembly Kit	-----	-----	707838	41021	707132	3-0644		
38	Pilot Orifice & Thermocouple Kit - 80/40H	707013	3-0013	-----	-----	-----	-----		
38	Pilot Orifice & Thermocouple Kit - 120/60H	707538	41041	-----	-----	-----	-----		
39	Pilot Supply Tube Kit	707842	42014	-----	-----	-----	-----	Old Part # 41024	Old Part# 3-0777
40	Relief Valve	-----	-----	Special Order	34876	Special Order	8121-106	Old Part # 35009	Same
41	Right Burner Manifold	-----	-----	708000	1504-4005	708155	80C99		
44	Thermocouple 80/40H	708128	46-4	-----	-----	-----	-----	Old Part # 46-5	
44	Thermocouple 120/60H	Special Order	46-9	-----	-----	-----	-----		
46	Thermostat Cover	707854	1501-5015-02	-----	-----	-----	-----	451-402-01 Obsolete	
48	Thermostat Kit	707452	41073	-----	-----	-----	-----	41026 & 80967 Obsolete	
50	Top Cover Assembly	707501	1501-4015	-----	-----	-----	-----	452-403-01, 3-0560, & 81115 Are Obsolete	
52	Tubing Replacement Kit	707499	42015	-----	-----	-----	-----	Old Part # 40402	Old Part# 452-502-01
53	Vapor Outlet Reducer	707114	3-0549	-----	-----	-----	-----		

Zimmer™ Electric LPG Vaporizer									
Item Number	Part Number	Propane Vaporization Capacity		Connections		Shipping Dimensions			Shipping Weight Lbs.
		Gallons/hr	Million BTU/hr	Liquid Inlet	Vapor Outlet	Depth	Height	Width	
710054	Z40P-UL/CE	20	1.82	3/4" FNPT	3/4" FNPT	35"	12"	15"	70

Electrical — 100 - 240 Volts Freq: 50 - 60 HZ

Zimmer™ Accessories		
Item Number	Part Number	Description
710058	80885	Wall Mounting Kit
710060	80892	Wall Piping kit
710062	80890	Outlet Regulator
710064	80887	Tank Mounting Kit
710066	80888	Tank Piping Kit



Z40P-UL/CE

Shown with Optional Tank Mounting Kit & Tank Piping Kit. Tank Not Included.

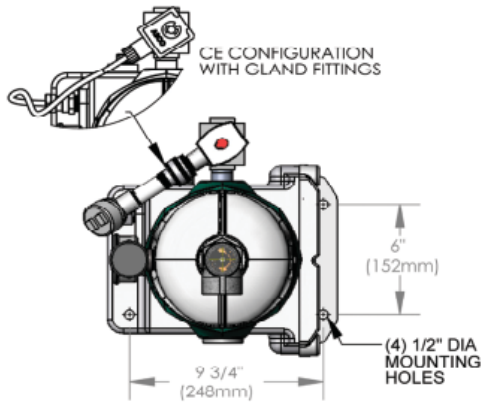
Second Sun™ Tank Heater									
Item Number	Part Number	Heat Input	Added Vaporization to Tank *	Mounts To		Shipping Dimensions			Shipping Weight Lbs.
				US Gal. Tanks	Tank Diameters	Depth	Height	Width	
710090	Second Sun	30,000 BTU/h	2.2MM BTU/h	1,000 - 12,000	41" - 84"	84"	12"	24"	185

* Second Sun **adds** vaporization capability to the ambient vaporization capability of the tank itself. **Total Vaporization** becomes the sum of the 'natural' + 'added' vaporization.

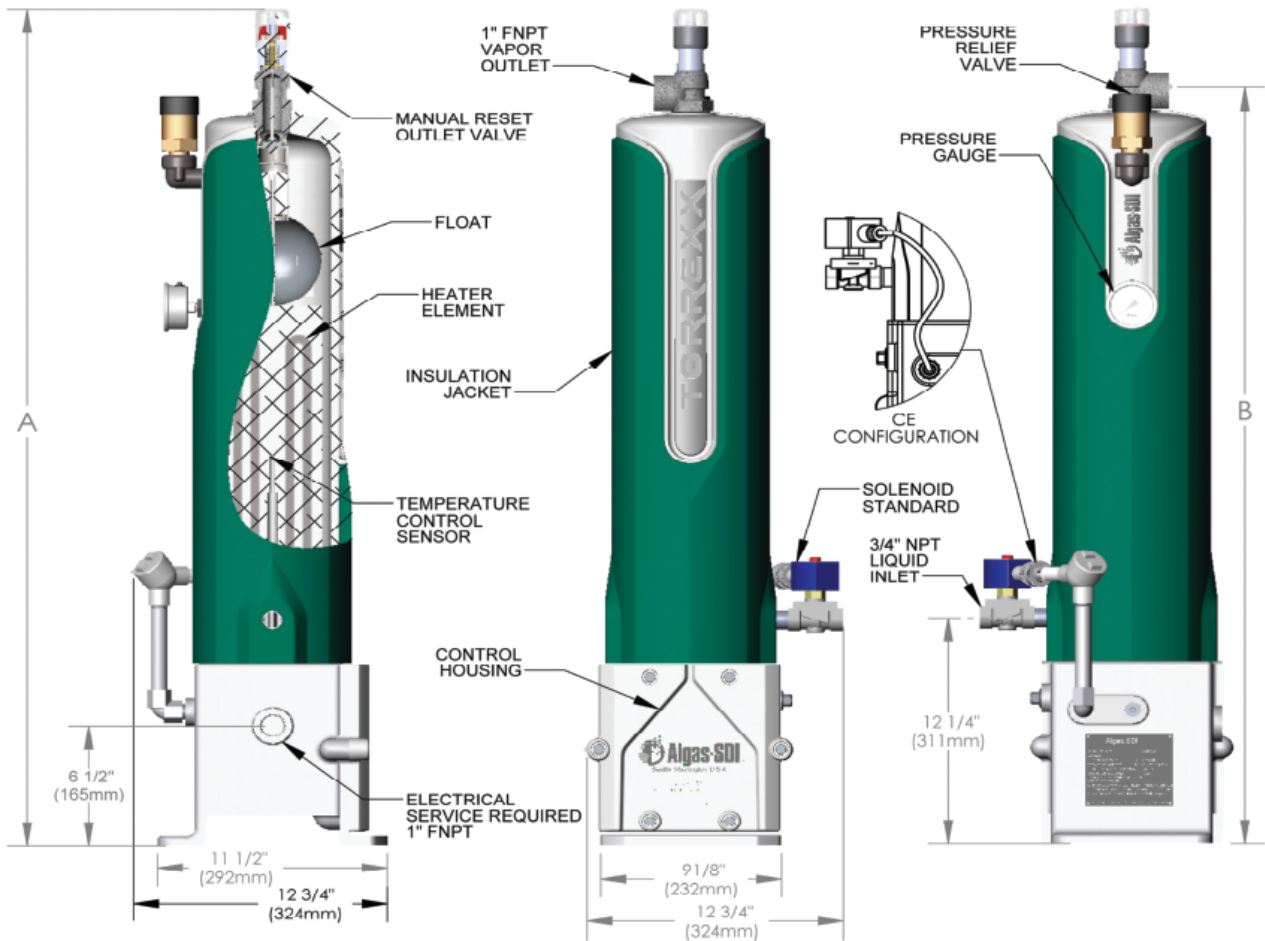


Second Sun
Tank Not Included

Algas Torrex Electric LPG Vaporizer						
Item Number	Part Number	Gallons/hr (nominal)	Million BTU/hr	Weight Lbs.	Dimension A	Dimension B
710070	TX25	12.5	1.1	130	45.40" 1153mm	41" 1040mm
710071	TX50	25	2.2			
710072	TX100	50	4.5			
710073	TX160	80	7.2	160	51.40" 1306mm	47" 1190mm
710074	TX240	120	10.9	250	56.40" 1433mm	52" 1320mm
710075	TX320	160	14.5	260	63.40" 1610mm	59" 1500mm



Please Specify Voltage & Phase Requirements when ordering.



Alternate Energy Direct Fired Vaporizer Parts List

Item Number	Part Number	Part Description	Fits
707627	AEDFOPT-7	Auto Ignitor 9VDC	AS50, AS80, & AS120
Spec. Order	AEDFOPT-8	Auto Ignitor 9VDC	AS160 & AS240
Spec. Order	AEDFOPT-9	Auto Ignitor 9VDC	AS360
Spec. Order	AEDFOPT-10	Auto Ignitor 9VDC	AS480
Spec. Order	AEDFOPT-3	Auto Ignitor 120VAC	AS50, AS80, & AS120
Spec. Order	AEDFOPT-4	Auto Ignitor 120VAC	AS160 & AS240
Spec. Order	AEDFOPT-5	Auto Ignitor 120VAC	AS360
Spec. Order	AEDFOPT-6	Auto Ignitor 120VAC	AS480
Spec. Order	BUR0001-00-3	Burner — Propane — #69 Jets	AS-80 - AS-480
Spec. Order	BUR0005-00-3	Burner — #76 Jets	AS-50 All Versions
Spec. Order	BUR0006-00-5	Burner — #76 Jets Includes Pilot, Thermocouple, & Piezo Spark Ignitor	AS-50 All Versions
708450	BUR0015-00-5	Burner — Propane — #69 Jets Includes Pilot, Thermocouple, & Spark Ignitor	AS-80 - AS-480
Spec. Order	BUR0018-00-3	Burner — Export LPG Mixes — #70 Jets	AS-80 - AS-480
Spec. Order	BUR0019-00-5	Burner — Export LPG Mixes — #70 Jets Includes Pilot, Thermocouple, & Piezo Spark Ignitor	AS-80 - AS-480
Spec. Order	IGN0003-00-3	Piezo Spark Ignitor	-----
Spec. Order	IGN0004-00-3	Re-Ignitor — AC 110 Volt Version — Ignitor Box Only	-----
707618	37503	Re-Ignitor — DC 9 Volt Version — Ignitor Box Only	-----
707619	37507	Re-Ignitor — Switch 9 VDC	-----
707626	37505	Re-Ignitor — Switch Boot Cover — 9 VDC	-----
Spec. Order	LIQ0001-02-5	Liquid Inlet Valve — Complete — Includes O-Ring	-----
Spec. Order	LIQ0005-00-5	Seat Seal for Liquid Inlet Valve	-----
Spec. Order	LIQ0008-02-2	Replacement Bush Rod for Liquid Inlet Valve	-----
Spec. Order	ORI0002-00-3	Viton® O-Ring for Liquid Inlet Valve	S/N 3884 & Higher
708451	PIL0005-00-5	Pilot Assembly — Complete w/Thermocouple & Spark Ignitor	-----
Spec. Order	THE0001-00-3	Thermocouple for Pilot Burner	-----
Spec. Order	40423	Thermostat / Thermowell Field Retrofit Kit *	All Models

*** Note: One 40423 kit required for each heat exchanger. Older vaporizer doors may not accommodate the depth of this thermostat. Thermostat kits will fit with high air flow doors that protrude approx. 3" from the front of the vaporizer cabinet. If the door only protrudes 1", the door must be replaced.**

For parts orders, include model number & serial number.

Pressure Gauges & Gauge Snubber



Pressure Gauges							
1/4" MNPT Mounting Stem	Squibb Taylor		Fisher		Range PSIG	Dial Size	Fill Type
	Item Number	Part Number	Item Number	Part Number			
Bottom	121201	ST-J500	121190	J500	0 - 15	2"	Dry
	121202	ST-J501	121195	J501	0 - 30		
	121203	ST-J502	121200	J502	0 - 60		
	121204	ST-J503	-----	-----	0 - 100		
	121206	ST-J504	121210	J504	0 - 160		
	121207	ST-J505	-----	-----	0 - 200		
	121208	ST-J506	121220	J506	0 - 300		
Back	121211	ST-J510	121196	J510	0 - 15		
	121212	ST-J511	121197	J511	0 - 30		
	121213	ST-J512	121198	J512	0 - 60		
	121214	ST-J513	121199	J513	0 - 100		
	121216	ST-J514	121193	J514	0 - 160		
	121218	ST-J516	121222	J516	0 - 300		
	290651	9767240			0 - 300	2 1/2"	Glycerin
Bottom	290652	9767096			0 - 300		
Back	290653	ST-J524	-----	-----	0 - 15		
Bottom	290654	MEJ603HP-01			0 - 300		
	290655	MEJ603LP-01			0 - 15		



ST-J500



ST-J510



ST-J524

Gauge Snubber				
Item Number	Part Number	Type	Inlet	Outlet
141031	ST-1449	Stainless Steel w/ 54 Drill	1/4" MNPT	1/4" FNPT



ME202SS

Y-Strainers								
Item Number	Size MNPT	Mesh Size	Plug Size	Item Number	Size MNPT	Mesh Size	Plug Size	
200710	1/4" FNPT	20	3/8"	200722	1 1/2" FNPT	20	1"	
200714	1/2" FNPT	40	1/2"	200728		40		
200716	3/4" FNPT			60	2" FNPT	200723		20
200703		80		40				
200715		20		20				
200712	1" FNPT	40		3/4"	200724	2 1/2" FNPT		40
200713		80			200729	40		
200720	1 1/4" FNPT	20	3" FNPT		200726	40		
200707		40			200730	3" 300# Flange	40	
200706		80			Other Mesh Screens & Gaskets are Available. Plugs on Page 116.			



200723

Hi-Flow Liquid Withdrawal Valves							
Item Number	Part Number	Application	Tank Connection	Outlet Connection	Excess Flow / Filling Rates	Repair Kit	Feature
111185	A1596R	Liquid Withdrawal	1 1/4" MNPT	1" FNPT	35 GPM	310-22	With Built-in Internal Relief

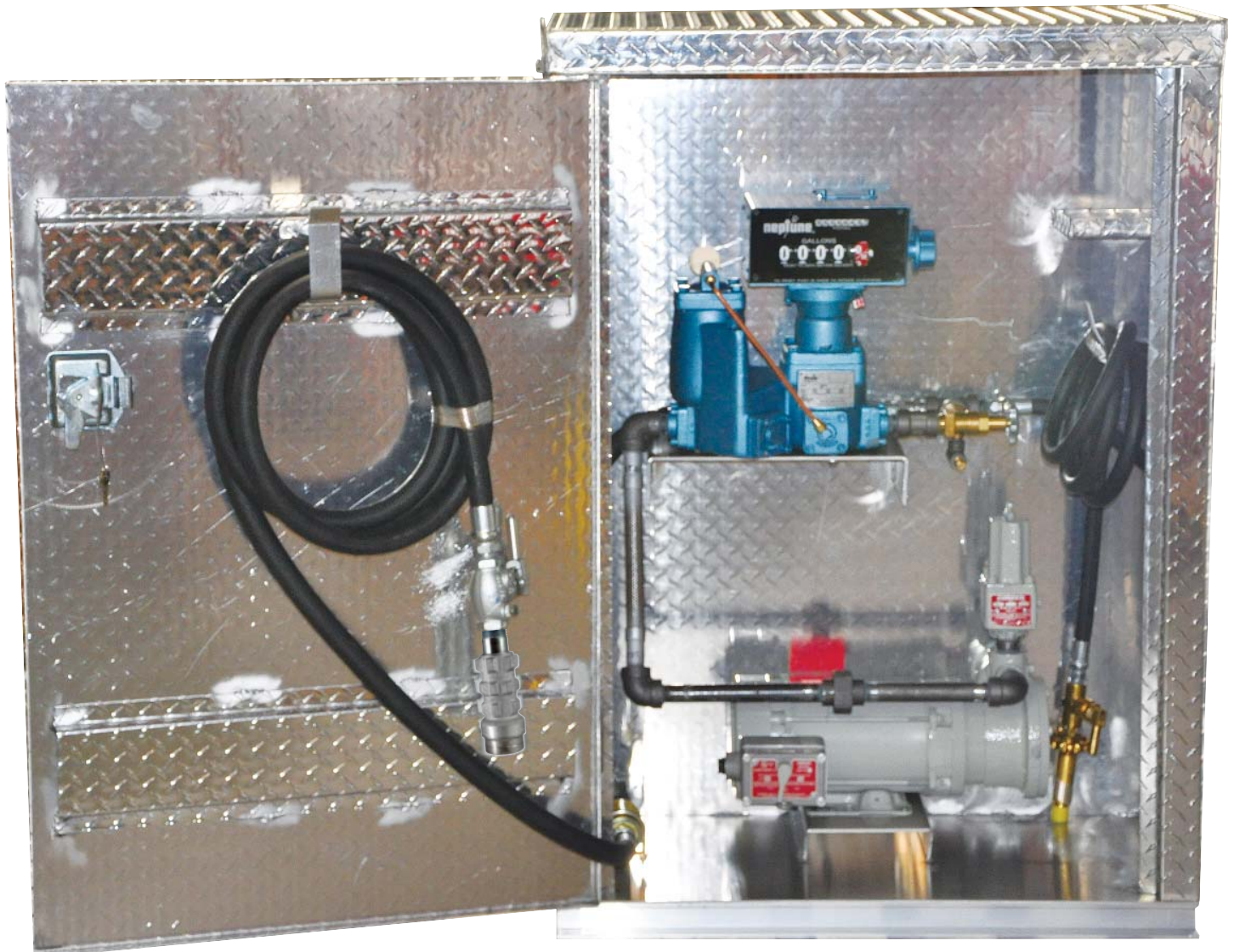


A1596R

Dispenser Cabinet	
Item Number	Description
754978	Aluminum Dispenser Cabinet

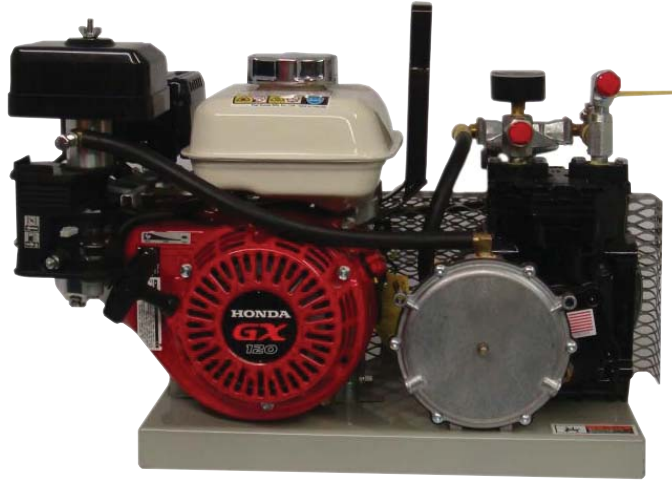
Cabinet Details:

- Metered motor fuel hose with quick acting valve
- Non-Metered cylinder filling hose
- Easy to read non-print Neptune display
- Corken C10 or C12 pump, plumbed & ready to install @ your location
- Diamond Plate Aluminum Enclosure



754978

Krug Compressor		
Item Number	Part Number	Description
141101	H50-G	18 - 50 GPM Gasoline Compressor
141099	H50-LP	18 - 50 GPM LP-Gas Compressor



H50-LP

Krug Hand Pump				
Item Number	Part Number	Inlet FNPT	Outlet FNPT	Capacity
141098	GH-P	1"	3/4"	6 Gal. @ 40 Strokes/Min.



GH-P

Section H Index



Section H Index			
• Acme Spanner Wrench	230	• Low Emission Hose End Valves	199
• Actuator Accessories	210	• LP-Gas Dispenser Kits	224
• Allegheny	214	• MEC 3" Flanged Internal Valve	202
• Apollo Ball Valves	198	• MEC Breakaway Couplings	223
• Brass Excess Flow Valves	220	• MEC Flanged Full Internal Relief Valve	217
• Bulkheads	224	• MEC Full Internal Relief Valve	217
• Container Thermometers	222	• MEC Globe Valves	198
• EMT Tubing & Fitting	216	• MEC Low Emission Hose End Valves	202
• Filler Couplings	200	• MEC Quad-Port Relief Valve Manifold	218
• Fisher 1 1/4" Internal Valve	203	• MEC Relief Valve Accessories	217
• Fisher 2" Threaded Internal Valve	204	• N550 Accessories	214
• Fisher 3" Flanged Internal Valve	206-207	• N550 Emergency Shutoff Valves	213
• Fisher 3" Threaded Internal Valve	205	• Pipeaway Adaptor	216
• Fisher 4" Flanged Internal Valve	208	• Pneumatic Accessories	212
• Fisher Back Check Valves	221	• PowerTorq Rotary Actuators	210
• Fisher Globe & Angle Valves	197	• PR4 Passive Hose Shutdown	227
• Fisher Hose End Valve	201	• Pressure Gauges & Gauge Snubber	239
• Fisher Internal Relief Valves	215	• Quick Acting Hose End Valves	200
• Fisher Internal Valve Cable Latches	211	• Quick Jaw Hose End Valves	199
• Fisher Large Relief Valves	215	• Relief Valve Rain Cap	216
• Fisher M570 Parts	201	• RotaSeal Hose Swivel	200
• Fisher Relief Valve Accessories	215	• Remote Shutdown System	225-226
• Fitting Adaptors	212	• Squibb Taylor Angle Valves	196
• Hannay Hose Reel Parts	231-232	• Squibb Taylor Globe Valves	195
• Hannay Parts Breakdown	233-238	• SS Flex Connectors	229
• Hannay Single Hose Reels	231	• Static Strap	229
• Hose Buddy	227	• Steel Back Check Valves	222
• Hose End Check Adaptors	201	• Steel Excess Flow Valves	219
• Hose End Valve Holster	202	• Toolbox	230
• In-Line Sight Flow	228	• TriPin Loading Arm	224
• Internal Valve Air Actuators	209	• TriPod Accessories	223
• Jomar Brass Ball Valves	198	• TriPod Safety Couplers	223
• Jomar Stainless Steel Ball Valves	198	• Tubing Push Connectors	212
• Large Fisher Filler Valves	228	• Wheel Chocks	230
• Liquid Level Vent Valves	222	• Y-Strainers	229

Squibb Taylor Globe Valves								
Item Number	Part Number	Inlet & Outlet	Repair Kit		Bonnet Assembly		Stem & Disc Assembly	
			Item Number	Part Number	Item Number	Part Number	Item Number	Part Number
110250	AL306P	1/2" FNPT	119039	308-22	119040	308-25	119041	308-26
110255	AL308P	3/4" FNPT						
110280	AL310P	1" FNPT	119059	310-22	119060	310-25	119061	310-26
110320	AL312P	1-1/4" FNPT	119109	312-22	119110	312-25	119111	312-26
110355	AL314P	1-1/2" FNPT	119125	314-22	119126	314-25	119127	314-26
110375	AL316P	2" FNPT	119169	316-22	119170	316-25	119171	316-26
110378	AL316FP	2" ANSI Flange						
110415	AL320P	3" FNPT	119217	320-22	119218	320-25	119219	320-26
110420	AL320FP	3" ANSI Flange						
Economy								
110535	AL410P	1/2" FNPT	119279	410-21	119281	410-25	119280	410-23
110555	AL412P	3/4" FNPT						

Teflon trim available. Add a "T" suffix to end of part number . Example: AL316PT.



Repair Kit



Bonnet Assembly
(includes body gasket not shown)



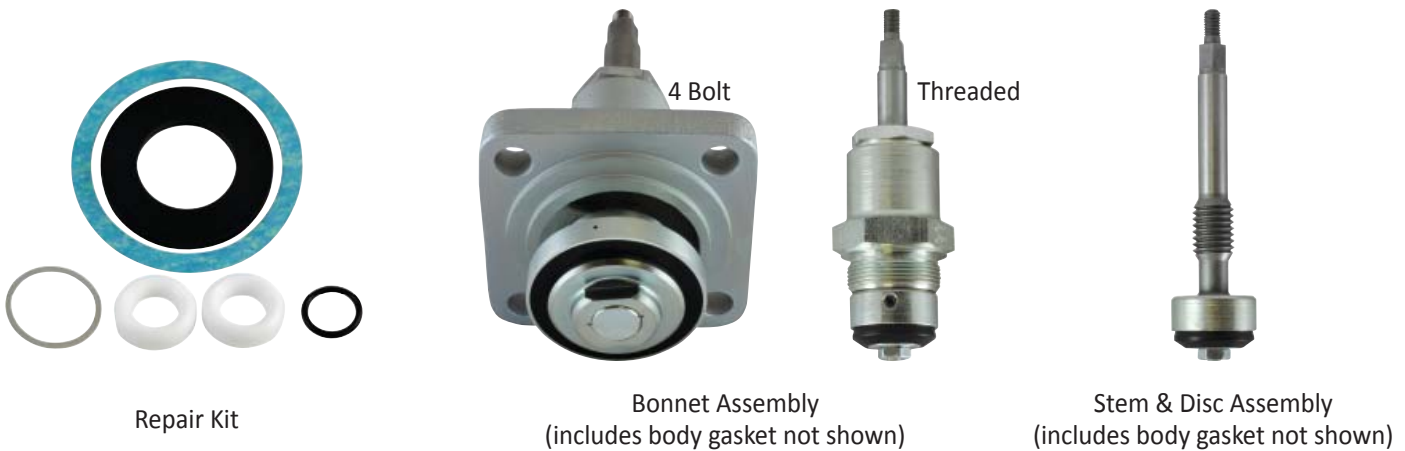
Stem & Disc Assembly
(includes body gasket not shown)

Angle Valves



Squibb Taylor Angle Valves								
Item Number	Part Number	Inlet & Outlet	Repair Kit		Bonnet Assembly		Stem & Disc Assembly	
			Item Number	Part Number	Item Number	Part Number	Item Number	Part Number
110252	AL307P	1/2" FNPT	119039	308-22	119040	308-25	119041	308-26
110260	AL309P	3/4" FNPT						
110300	AL311P	1" FNPT	119059	310-22	119060	310-25	119061	310-26
110335	AL313P	1-1/4" FNPT	119109	312-22	119110	312-25	119111	312-26
110365	AL315P	1-1/2" FNPT	119125	314-22	119126	314-25	119127	314-26
110395	AL317P	2" FNPT	119169	316-22	119170	316-25	119171	316-26
110398	AL317FP	2" ANSI Flange						
110425	AL321P	3" FNPT	119217	320-22	119218	320-25	119219	320-26
110429	AL321FP	3" ANSI Flange						
Economy								
110540	AL411P	1/2" FNPT	119279	410-21	119281	410-25	119280	410-23
110565	AL413P	3/4" FNPT						

Teflon trim available. Add a "T" suffix to end of part number . Example: AL317PT.



Fisher Globe & Angle Valves						
Globe Valves		Angle Valves		Inlet & Outlet	Repair Kit	
Item Number	Part Number	Item Number	Part Number		Item Number	Part Number
122425	N301-04	122484	N401-04	1/2" FNPT	125050	RN30008T012
122430	N301-06	122485	N401-06	3/4" FNPT		
122435	N301-08	122500	N401-08	1" FNPT		
122440	N310-10	122475	N410-10	1-1/4" FNPT	125055	RN30012T012
122445	N310-12	122476	N410-12	1-1/2" FNPT		
122450	N310-16	122477	N410-16	2" FNPT	125060	RN30016T012
122455	N310-24	122480	N410-24	3" FNPT	125065	RN30024T012
122456	N310F-24	122479	N410F-24	3" ANSI Flange		
Economy						
122460	N350-04	122505	N450-04	1/2" FNPT	125070	RN350T00012
122465	N350-06	122510	N450-06	3/4" FNPT		



N310-10



N410-24



N350-06



N450-06

MEC Globe Valves & Ball Valves



MEC Globe Valves		
Item Number	Part Number	Inlet & Outlet
150722	ME825-10	1-1/4" FNPT
150725	ME825-16	2" FNPT
150732	ME825-24	3" FNPT
Accessory		
150723	ME829	E-Z Turn Knob



ME825-16



ME829

Jomar Brass Ball Valves										
	Part Description	1/4"	3/8"	1/2"	3/4"	1"	1 1/4"	1 1/2"	2"	3"
Item Number	Full Port	100-701	100-702	100-703	100-704	100-705	100-706	100-707	100-708	100-710
Part Number		223100	223105	223110	223115	223120	223125	223130	223135	223137



100-704



100-966



500-306

Jomar Stainless Steel Ball Valves										
	Part Description	1/4"	3/8"	1/2"	3/4"	1"	1 1/4"	1 1/2"	2"	3"
Item Number	Full Port	223142	223143	223138	223131	223132	223133	223139	223134	-----
Part Number		100-961	100-962	100-963	100-964	100-965	100-966	100-967	100-968	
Item Number	3 Piece Full Port	223725	223728	223729	223718	223724	223719	223721	223720	223723
Part Number		500-301	500-302	500-303	500-304	500-305	500-306	500-307	500-308	500-310



80-108



82-104



70-604



73A-106

Apollo Ball Valves										
	Part Description	1/4"	3/8"	1/2"	3/4"	1"	1 1/4"	1 1/2"	2"	3"
Item Number	Bronze Standard Port	80-101	80-102	80-103	80-104	80-105	80-106	80-107	80-108	80-100
Part Number		198500	198503	198505	198510	198515	198520	198525	198530	198540
Item Number	3 Piece Bronze Full Port	82-101	82-102	82-103	82-104	82-105	82-106	82-107	82-108	82-140
Part Number		198545	198548	198550	198555	198560	198565	198570	198575	198580
Item Number	3-Way Bronze Standard Port	-----	70-602	70-603	70-604	70-605	-----	70-607	70-608	-----
Part Number			198427	198424	198425	198426		198429	198430	
Item Number	Carbon Steel Standard Port	198450	198455	198460	198465	198470	198475	198480	198485	-----
Part Number		73A-101	73A-102	73A-103	73A-104	73A-105	73A-106	73A-107	73A-108	

Quick Jaw Hose End Valves

Item Number	Part Number	Inlet	Outlet	Repair Kit	
				Item Number	Part Number
110519	AL364 *	3/4" FNPT	1-3/4" F. Acme	119351	363-22
110518	AL363 *	1" FNPT			
110521	AL366 *	1-1/4" FNPT			

* Minimum Loss



Quick
Jaw
Open



Quick Jaw

Low Emission Hose End Valves

Item Number	Part Number	Inlet	Outlet	Valve Release	Repair Kit	
					Item Number	Part Number
110581	L422	3/4" FNPT	Male POL	1.4 cc	119468	422-1300
110582	L423	3/4" FNPT	Female QCC	.4 cc	119472	423-1300
110583	L424	3/4" FNPT	1 3/4" F. Acme	.2 cc	119351	363-22
110512	AL343A	1" FNPT				
110522	AL362A	1-1/4" FNPT				
111628	L427B	2" FNPT	3 1/4" F. Acme	-----	-----	-----
111627	L427K	2" MNPT	3 1/4" M. Acme	W/ L427B 4 cc	111631	427-22
111630	L427KF *			W/ L427B 20 cc	111631	427-22

* L427KF must be used with Rego acme cap.



AL343A



L422



L423



L424



L427B



L427K

Quick Acting Hose End Valves						
Item Number	Part Number	Inlet	Outlet	Body Type	Repair Kit	
					Item Number	Part Number
110570	AL416P	1/2" FNPT	1/2" FNPT	Globe	119292	417-23
110573	AL417P	3/4" FNPT	3/4" FNPT			
110505	AL344	1" FNPT	1" FNPT		Angle	119361
110515	AL345					
110516	AL361	1-1/4" FNPT	1-1/4" FNPT			



AL417P



AL345P



AL344P

Filler Couplings				
Item Number	Part Number	Female Acme	Inlet Connection	Length
110641	A1130FS	1 3/4"	3/4" MNPT	7 3/16"
110645	A1131F		1" MNPT	



A1131F

RotaSeal Hose Swivel				
Item Number	Part Number	Inlet & Outlet	Repair Kit	
			Item Number	Part Number
112051	AL107	3/4" NPT	112052	107-22
112056	AL109	1" NPT	112057	109-22
112061	AL111	1 1/4" NPT	112065	111-22
112063	113-1000 *	1 1/2" NPT	112064	112-22
112067	AL200	2" NPT	112066	200-22

* 90° Reel Swivel

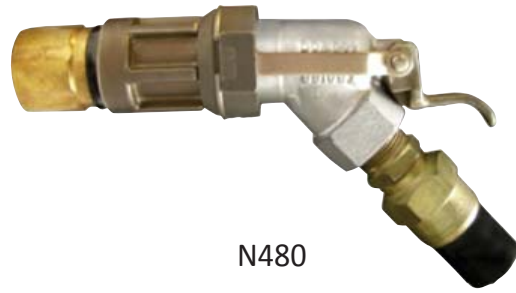


AL109



113-1000

Fisher Hose End Valve			
Item Number	Part Number	Inlet	Outlet
122537	N480	1" FNPT	1 3/4" F. Acme



N480

Caution: Other brands of filler hose adaptors should not be used with the Type N480 because they could allow accidental opening of the valve while it is being handled.

Hose End Check Adaptors					
Item Number	Part Number	Filler Valve Connection	Hose End Connection	Part Description	Manufacture
122110	M570	1 3/4" Male Acme	1 3/4" Female Acme	Allows The Valve to Swivel While Connected to The Adaptor	Fisher
150591	ME571			Non-Swivel	MEC
150596	ME571H *			Swivels	
150575	ME570			Adds 7" Extension	
150580	ME572			Adds Heavy Duty Handle	
150640	ME572EXT			Swivels & Includes Bleeder	
150642	ME572EXTHD			Adds 7" Extension	
150590	ME574			Adds Heavy Duty Handle	
150617	ME574EXT				
150619	ME574EXTHD				

* 86 GPM LPG @ 30 PSI pressure differential.



Fisher M570 Parts		
Item Number	Part Number	Part Description
129852	T13098-T0012	Gasket (Outer)
129860	T13103-T0012	Washer (Inner)



T13098-T0012

MEC Low Emission Hose End Valves						
Item Number	Part Number	Inlet	Outlet	Valve Release	Repair Kit	
					Item Number	Part Number
150610	ME800	1" FNPT	1 3/4" F. Acme	.50 cc	150611	ME800-LSRK *
150601	ME800EXT				150612	ME800-USRK *

* LSRK - Lower Kit USRK - Upper Kit



ME800EXT



ME800



MEP801



MEP801H

Hose End Valve Holster		
Item Number	Part Number	Part Description
150705	MEP801	Holster For ME800 Series Valves
150709	MEP801H	Urethane Weather Hood

MEC Excelerator™ 3" Flanged Internal Valves				
Item Number	Part Number	Actuation	Tank Connection	Outlet Connection
154045	ME990S-3F-24-400	Valve Only	3" 300 Lb. Modified Single Flange	3" FNPT
154055	ME990S-3F-24-500			
150582	ME990SA-3F-24-400	Air With ME206		
154090	ME990SA-3F-24-500			

These valves are available with Kalrez®, Neoprene, & Viton® Trims.

ME990S-3F-24 Parts		
Item Number	Part Number	Part Description
150576	ME206	Actuator
150582	ME226	PowerTorq Rotary Actuator
153570	ME990-24-VRK	Complete Rebuild Kit
153575	ME990-24-SRK	Seal Repair Kit



ME990S-3F-24

Fisher 1 1/4" Threaded Internal Valves

Item Number	Part Number	Closing Flow GPM / l/min Propane **		Vapor Capacity SCFH / SCMh Propane **		Connections Inlet X Outlet
		Half Coupling	Full Coupling	25 psig / 1,7 bar Inlet	100 psig / 6,9 bar Inlet	
120430	C407-10-03	30 / 114	-----	5,600 / 159	9,300 / 263	1 1/4" MNPT X 1 1/4" FNPT
120438	C407M-10-03 *					
120435	C407-10-05	50 / 189	35 / 133	7,800 / 221	13,200 / 374	
120428	C407M-10-05 *					
120440	C407-10-08	80 / 303	65 / 246	11,200 / 317	19,200 / 544	
120442	C407M-10-08 *					

* Includes a factory installed Type P340 / P341 latch.

** Closing Flows & Vapor Capacities listed are with valve in "bottom of tank" position. See product bulletins for additional data.

C407-10 Parts

Item Number	Part Number	Part Description
122931	P389	Air Actuator
122938	P631	Air Actuator
122925	P341	Cable Latch
122919	P342	Cable Bi-Directional Latch
125030	RC40710T012	Repair Kit Contents - Discs, Packing, & O-Ring
129295	T20850-T0012	Gland Assembly
129890	T13428-T0012	Lever
129880	T13405-T0012	Cotter Pin for Lever
129878	T13397-T0012	Main Disc - Nitrile
129090	T13397-T0022	Main Disc - Teflon
129099	T13397-T0032	Main Disc - Viton
129877	T13395-T0012	Bleed Disc - Nitrile
129091	T13395-T0022	Bleed Disc - Teflon
129098	T13395-T0032	Bleed Disc - Viton
129879	T13400-T0012	O-Ring - Nitrile
129092	T13400-T0022	O-Ring - Teflon
129101	1N9611-06382	O-Ring - Viton
129884	T13414-T0012	Excess Flow Spring - 30 GPM (Blue)
129883	T13413-T0012	Excess Flow Spring - 50 GPM (Green)
129882	T13412-T0012	Excess Flow Spring - 80 GPM (Orange)



C407



C407M



P389



P631



T20850

Fisher 2" Internal Valves



Fisher 2" Threaded Internal Valves						
Item Number	Part Number	Closing Flow GPM / l/min Propane *		Vapor Capacity SCFH / SCMH Propane *		Connections Inlet X Outlet
		Half Coupling	Full Coupling	25 psig / 1,7 bar Inlet	100 psig / 6,9 bar Inlet	
Straight Body (One Outlet)						
120448	C477-16-105	100 / 379	60 / 227	26,100 / 739	45,000 / 1,274	2" MNPT X 2" FNPT
120451	C477-16-150	150 / 568	90 / 341	39,400 / 1,116	69,000 / 1,954	
120458	C477-16-250	250 / 946	130 / 492	-----	-----	
Tee Body (Two Outlets)						
120301	C471-16-105	100 / 379	60 / 227	26,100 / 739	45,000 / 1,274	2" MNPT X 2" FNPT
120306	C471-16-150	150 / 568	90 / 341	39,400 / 1,116	69,000 / 1,954	
120311	C471-16-250	250 / 946	130 / 492	-----	-----	

* Closing Flows & Vapor Capacities listed are with valve in "bottom of tank" position. See product bulletins for additional data.

C477-16 & C471-16 Parts		
Item Number	Part Number	Part Description
122934	P639	Air Actuator
122912	P340	Cable Latch
125012	RC47016T012	Repair Kit Contents - Discs, Packing, & O-Ring
129171	T20377-000B2	Gland Assembly & O-Ring
128700	T11559-19312	Lever
127092	1H8371-28982	Cotter Pin for Lever
128649	T11540-03202	Main Disc - Nitrile (NBR)
129024	T12140-06242	Main Disc - Teflon (PTFE)
125869	T12533-T0012	Main Disc - Viton (FKM)
129204	GE35322T012	Bleed Disc - Nitrile (NBR)
129232	GE35322T022	Bleed Disc - Teflon (PTFE)
129233	GE35322T032	Bleed Disc - Viton (FKM)
128697	T11557-06562	Gland O-Ring - Nitrile (NBR)
129030	T12142-06522	Gland O-Ring - Teflon (PTFE)
125779	T12557-T0012	Gland O-Ring - Viton (FKM)
129209	GE42498X012	Excess Flow Spring - 105 GPM (Green)
128640	T11535-37022	Excess Flow Spring - 150 GPM (Yellow)
128967	T12005-37022	Excess Flow Spring - 250 GPM (Pink)

Kalrez® & Neoprene (CR) - Main Discs, Bleed Discs, & Gland O-Rings are available.



C477-16



C471-16



T20377-000B2

Fisher 3" Threaded Internal Valves

Item Number	Part Number	Closing Flow GPM / l/min Propane *		Vapor Capacity SCFH / SCMH Propane *		Connections Inlet X Outlet
		Half Coupling	Full Coupling	25 psig / 1,7 bar Inlet	100 psig / 6,9 bar Inlet	
Straight Body (One Outlet)						
120461	C477-24-160	160 / 606	120 / 454	41,100 / 1,164	71,000 / 2,011	3" MNPT X 3" FNPT
120471	C477-24-260	265 / 1,003	230 / 871	71,800 / 2,033	127,000 / 3,596	
120476	C477-24-375	375 / 1,419	320 / 1,211	99,000 / 2,803	178,000 / 5,040	
120484	C477-24-460	460 / 1,741	380 / 1,438	-----	-----	
Tee Body (Two Outlets)						
120313	C471-24-160	160 / 606	120 / 454	41,100 / 1,164	71,000 / 2,011	3" MNPT X 3" FNPT
120321	C471-24-260	265 / 1,003	230 / 871	71,800 / 2,033	127,000 / 3,596	
120326	C471-24-375	375 / 1,419	320 / 1,211	99,000 / 2,803	178,000 / 5,040	
120331	C471-24-460	460 / 1,741	380 / 1,438	-----	-----	

* Closing Flows & Vapor Capacities listed are with valve in "bottom of tank" position. See product bulletins for additional data.

C477-24 & C471-24 Parts

Item Number	Part Number	Part Description
122934	P639	Air Actuator
122912	P340	Cable Latch
125017	RC47024T012	Repair Kit Contents - Discs, Packing, & O-Ring
129186	T20430-000B2	Gland Assembly & O-Ring
128700	T11559-19312	Lever
127092	1H8371-28982	Cotter Pin for Lever
128823	T11774-03202	Main Disc - Nitrile (NBR)
125775	T12173-06242	Main Disc - Teflon (PTFE)
125871	T12535-T0012	Main Disc - Viton (FKM)
129204	GE35322T012	Bleed Disc - Nitrile (NBR)
129232	GE35322T022	Bleed Disc - Teflon (PTFE)
129233	GE35322T032	Bleed Disc - Viton (FKM)
128697	T11557-06562	Gland O-Ring - Nitrile (NBR)
129030	T12142-06522	Gland O-Ring - Teflon (PTFE)
125779	T12557-T0012	Gland O-Ring - Viton (FKM)
129213	GE42499X012	Excess Flow Spring - 160 GPM (Blue)
129214	GE42500X012	Excess Flow Spring - 260 GPM (Black)
129223	GE42851X012	Excess Flow Spring - 360 GPM (Yellow)
129216	GE42501X012	Excess Flow Spring - 460 GPM (Red)



C477-24



C471-24



T20430-000B2

Kalrez® - Main Discs, Bleed Discs, & Gland O-Rings are available.

Fisher 3" Flanged Internal Valves



3-Inch Single Flanged Internal Valves						
Item Number	Part Number	Closing Flow GPM / l/min Propane		Vapor Capacity SCFH / SCMH Propane		Connections Inlet X Outlet
		Bottom Of Tank Position	Top Of Tank Position	Standard Position	Inverted Position	
120381	C484-24-160	160 / 606	180 / 681	71,000 / 0,8	96,000 / 1,1	3" CL300 RF Modified Flange 4.62 Dia. Bore X 3" CL300 RF Flange
120386	C484-24-250	250 / 946	250 / 946	Not Listed	Not Listed	
120396	C484-24-400	400 / 1,514	400 / 1,514	181,000 / 2,0	190,000 / 2,1	

C484-24 Parts		
Item Number	Part Number	Part Description
122936	P613	Air Actuator
125023	RC48424T012	Repair Kit Contents - Discs, Packing, & O-Ring
127743	1P7908-32982	Stud Bolt (8 Required)
126036	1A3681-24112	Nut (16 Required)
129924	T13603-T0012	Upper Gasket
127764	1P8776-99152	Lower Gasket
128700	T11559-19312	Operating Lever
127092	1H8371-28982	Cotter Pin for Lever
128823	T11774-03032	Main Disc - Nitrile (NBR)
125775	T12173-06242	Main Disc - Teflon (PTFE)
125871	T12535-T0012	Main Disc - Viton (FKM)
129204	GE35322T012	Bleed Disc - Nitrile (NBR)
129232	GE35322T022	Bleed Disc - Teflon (PTFE)
129233	GE35322T032	Bleed Disc - Viton (FKM)
125854	T12317-T0012	Screen - Stainless Steel
125853	T13473-T0012	Screen Cap - Stainless Steel
129213	GE42499X012	Excess Flow Spring - 160 GPM (Blue)
128922	T11924-37022	Excess Flow Spring - 250 GPM (Orange)
129223	GE42851X012	Excess Flow Spring - 400 GPM (Red)

Kalrez® & Neoprene (CR) - Main Discs, Bleed Discs, & Gland O-Rings are available.



C484



1A3681-24112



1P7908-32982



P613

3-Inch Double Flanged Internal Valves

Item Number	Part Number	Closing Flow GPM / l/min Propane		Vapor Capacity SCFH / SCMh Propane		Connections Inlet X Outlet
		Bottom Of Tank Position	Top Of Tank Position	Standard Position	Inverted Position	
120362	C483-24-160	160 / 606	180 / 681	71,000 / 0,8	96,000 / 1,1	3" CL300 RF Modified Flange 4.62 Dia. Bore X 3" CL300 RF Flange
120371	C483-24-260	265 / 1,003	290 / 1,098	127,000 / 1,4	148,000 / 1,6	
120376	C483-24-400	400 / 1,514	400 / 1,514	181,000 / 2,0	190,000 / 2,1	

C483-24 Parts

Item Number	Part Number	Part Description
122933	P623	Air Actuator
125022	RC48324T012	Repair Kit Contents - Discs, Packing, & O-Ring
127614	1N9462-28982	Stud Bolt (16 Required)
126036	1A3681-24112	Nut (16 Required)
129924	T13603-T0012	Upper Gasket
127983	T10561-38992	Lower Gasket
128700	T11559-19312	Operating Lever
127092	1H8371-28982	Cotter Pin for Lever
128823	T11774-03032	Main Disc - Nitrile (NBR)
125775	T12173-06242	Main Disc - Teflon (PTFE)
125871	T12535-T0012	Main Disc - Viton (FKM)
129204	GE35322T012	Bleed Disc - Nitrile (NBR)
129232	GE35322T022	Bleed Disc - Teflon (PTFE)
129233	GE35322T032	Bleed Disc - Viton (FKM)
125854	T12317-T0012	Screen - Stainless Steel
125855	T12318-T0012	Screen Cap - Stainless Steel
129213	GE42499X012	Excess Flow Spring - 160 GPM (Blue)
129214	GE42500X012	Excess Flow Spring - 265 GPM (Black)
129216	GE42501X012	Excess Flow Spring - 400 GPM (Red)



C483



1A3681-24112



1N9462-28982



P623

Kalrez® & Neoprene (CR) - Main Discs, Bleed Discs, & Gland O-Rings are available.

Fisher 4" Flanged Internal Valves



4-Inch Flanged Internal Valves				
Item Number	Part Number	Actuation	Tank Connection	Outlet Connection
120400	C404-32-400	Cable	4" 300 Lb. ANSI RF Modified (5 7/8" Dia. Bore)	4" 300 Lb. ANSI RF
120405	C404-32-600			
120406	C404-32-800			
120415	C404A-32-400	Air With P614		
120416	C404A-32-600			
120417	C404A-32-800			
120420	C404M-32-400	Manual With P313		
120425	C404M-32-600			
120426	C404M-32-800			

C404-32 Parts		
Item Number	Part Number	Part Description
122932	P614A	Air Actuator
122855	P313	Manual Lever & Release
125041	RFC40432T12	Packing Retrofit Kit March 2012 & Prior
125044	ERAA03396A0	Cable Pull Hardware Kit March 2012 & Prior
125037	T11396000B2	Packing Parts Kit After March 2012*
125039	T11396000C2	Valve Repair Kit Less Packing - All Years
128343	T11181-31032	Stud Bolt (8 Required)
126036	1A3681-24112	Nut (16 Required)
127665	1P1107-99152	Upper Gasket
129414	ERSA03240A0	Lower Gasket
Parts Below are For Valves Manufactured Prior To 3.15.2012		
128307	T11167-03202	Main Disc - Nitrile (NBR)
128787	T11714-06242	Main Disc - Teflon (PTFE)
129509	T12515-T0012	Main Disc - Viton (FKM)
128310	T11168-03202	Bleed Disc - Nitrile (NBR)
128790	T11715-06242	Bleed Disc - Teflon (PTFE)
129508	T12514-T0012	Bleed Disc - Viton (FKM)
129073	T12944-T0012	O-Ring - Nitrile (NBR)
129935	T11716-06522	O-Ring - Teflon (PTFE)
129511	T11716-T0012	O-Ring - Viton (FKM)
129120	T20274-38992	Screen - Stainless Steel
129117	T20273-38992	Screen Cap - Stainless Steel



C404-32



C404A-32



C404M-32

* Use only after retrofit of Type RFC404 Kit.

Internal Valve Air Actuators			
Item Number	Part Number	Obsolete Part Number	For Type Number
122931	P389	-----	C407-10
122938	P631		
150581	ME205		
122936	P613	P326-7	C404-24 & C484-24
150578	ME207SF	-----	
122933	P623	P326-5	C403-24 & C483-24
150577	ME207	-----	
122934	P639	P326-6	C402, C421, C427, C471, & C477
150576	ME206	-----	
122932	P614A	P312	
150579	ME208SF	-----	C404-32



P389



P631



ME205



P613



ME207SF



P623



ME207



P639



ME206



P614A



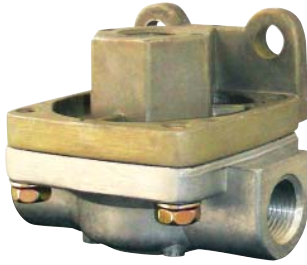
ME208SF

Actuator Accessories & Rotary Actuators



Actuator Accessories					
Item Number	Part Number	Inlet	Outlet	Part Description	
150583	ME707	3/8" FNPT	3/8" FNPT (2 Ports)	Quick Release Valve Used To Decrease Response Time When Closing Actuators.	
150584	ME708 *	1/4" FNPT	1/4" FNPT	0-150 PSIG Air Pressure Regulator.	
750815	PF-052FM		1/4" MNPT	Trap-All Gas/Air Filter for Actuator Systems.	
750804	PF-0532	3/8" Flare	1/4" FNPT		

* Universal Mounting Bracket Included.



ME707



ME708



PF-052FM

PowerTorq Rotary Actuators					
Item Number	Part Number	Actuator Type	Fits MEC	Fits Fisher	Internal Valve
150690	ME225	Direct Drive	ME990-10	Fisher® C407	1 1/4" Threaded
150582	ME226		ME990-16, ME990-24, & ME990S-3F-24	Fisher® C402, C421, C427, C471, & C477	2" & 3" Threaded
150693	ME227		ME990S-3DF & ME990S-3DFM	Fisher® C403-24 & C483-24 Series	3" Double Flange
150695	ME228		ME990-4F	Fisher® C404-24 & C484-24 Series	4" Single Flange

Fisher® Internal Valves are the trademarks of Emerson Process Management.



ME225



ME225 Mounted to Valve with ME707

ME707 & Internal valve not included.

Fisher Internal Valve Cable Latches			
Item Number	Part Number	For Type Size	Release Type
122912	P340	2" & 3"	Latch
122925	P341	1 1/4"	
122919	P342		Bi-Directional Latch
122685	P163A	1 1/4", 2" 3" & 4"	Auxiliary Remote
122690	P164A		Primary Cable Control
122985	P650 *		
122987	P651		
122860	P314	4"	Cable Assembly
122855	P313 **		Latch
122865	P315		Auxiliary Remote

* Type P651 is a primary control only, no accessories. ** Use with Type P315 remote release mechanism.



P340



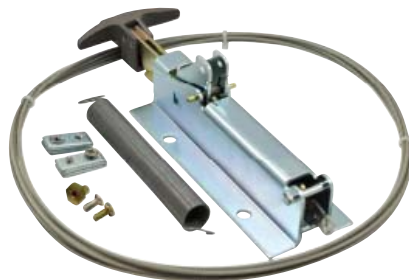
P341



P342



P163A — 25'
P164A — 50'



P650



P651



P313



P314



P315

Pneumatic Accessories



Pneumatic Accessories		
Item Number	Part Number	Part Description
146749	BAV-010	Push Actuating Air Valve
404200	250V-3-10-21	Pull Lever Actuating Air Valve
404185	M3820602	Lexair Valve — Push Button
404206	NB-4-035	1/4" Poly Tubing
650056	V-82	Push To Close Decal
404186	ESV Sign Post For Lexair Valve	



V-82



ESV Sign Post



NB-4-035



250V-3-10-21



M3820602



BAV-010



Tubing Push Connectors		
Item Number	Part Number	Part Description
404280	264PP-4	1/4" Tube Tee
404281	268PP-4A	1/4" Tube X 1/8" MNPT
404282	268PP-4B	1/4" Tube X 1/4" MNPT
404283	269PP-4B	1/4" Tube X 1/4" MNPT 90°
404284	272PP-4A	1/4" Tube X 1/8" MNPT Branch Tee
404285	272PPS-4B	1/4" Tube X 1/4" MNPT Branch Tee
404287	262PP-4	1/4" Coupling



264PP-4



268PP-4A



269PP-4B



272PPS-4B



262PP-4

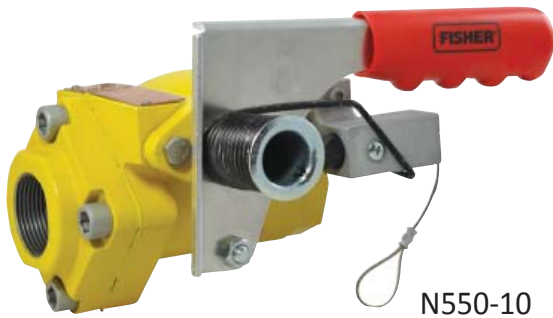
Fitting Adapters		
Item Number	Part Number	Part Description
404286	120AH-BA	1/4" MNPT X 1/8" FNPT
404288	120A-AA	1/8" MNPT X 1/8" FNPT



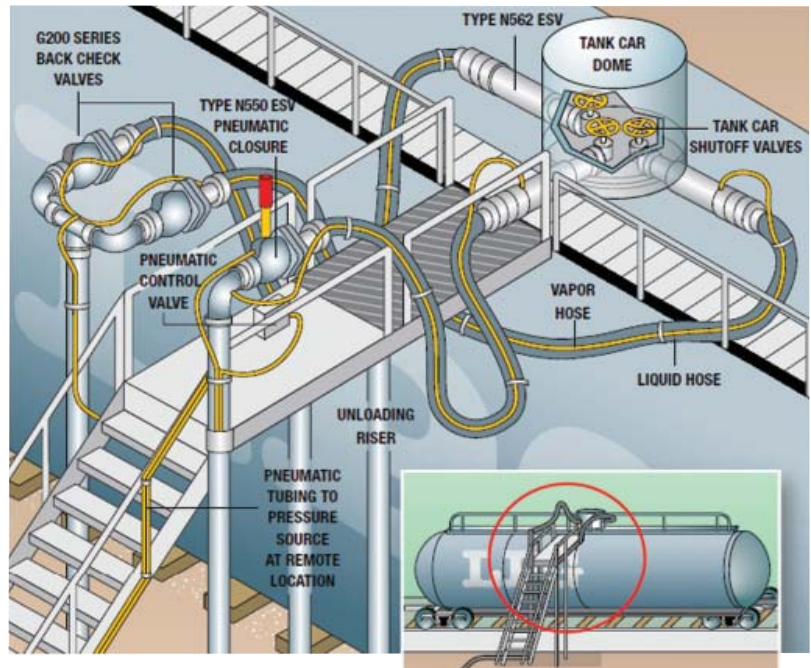
120AH-BA

Emergency Shutoff Valves				
Item Number	Part Number	Body Size	Flow in GPM / l/min Propane	
			1 PSID / 69 mbar d	2 PSID / 0,14 bar d
122585	N550-10	1 1/4" FNPT	50 / 189	75 / 284
122590	N550-16	2" FNPT	75 / 284	115 / 435
122595	N550-24	3" FNPT	195 / 738	275 / 1,041
122599	N562-16	2" FNPT X 2" FNPT	Flow of 200 GPM / 757 l/min Propane @ 13 PSID / 0,90 bar d.	
122597	N562-26 *	2" FNPT X 3 1/4" Male Acme		

* For Railroad Tank Cars. Pneumatic Operation Only.



Typical Railcar Unloading



N550 Parts & Accessories		
Item Number	Part Number	Part Description
122927	P327D	Actuator - Close Only
122937	P539A	Actuator - Open / Close
150602	ME551	ESV Air Actuator
150609	ME552	ESV Rotary Actuator
122692	P164B	50' Cable Release Assembly
122978	P551	Helper Spring Kit
122979	P551A	Helper Spring Kit With P327D
129079	T13090-T0012	Packing Assembly Kit
129078	T12963-T0012	Latch Block Assembly
129896	T13500-T0012	Fuse Link Assembly
129274	T20677-T0012	Handle Only
129758	T12928-T0012	Handgrip Only
129275	T20714-T0012	Handle and Handgrip Assy.



P327D



P551



P551A



P539A



ME551



ME552



P164B

Allegheny	
Item Number	Part Description
403050	Single Lever Control
403057	Double Lever Control
403051	20040A001 Adjusting Bolt Steel



403057



403051

Fisher Flush Mounted Internal Relief Valves

Item Number	Part Number	Size MNPT	Start To Discharge Setting - psig / bar	Flow Capacity - SCFM / SCM ^H Air		For Tanks with Surface Area Up To ⁽¹⁾ : Ft ² / m ²	Rain Cap
				U.L.	ASME		
121050	H722-250	2"	250 / 17,2	3,660 / 6,218	3,024 / 5,136	171 / 15,9	P297
121052	H722-265		265 / 18,3	3,555 / 6,042	3,387 / 5,753	166 / 15,4	
121051	H722-275		275 / 19,0	3,714 / 6,310	3,509 / 5,960	175 / 16,3	
121054	H732-250	3"	250 / 17,2	10,508 / 17,853	8,827 / 14,997	624 / 58,0	P298
121055	H732-265		265 / 18,3	11,220 / 19,063	9,332 / 15,855	676 / 62,8	
121053	H732-275		275 / 19,0	11,736 / 19,940	9,669 / 16,428	714 / 66,3	

Fisher Accessories

Item Number	Part Number	Part Description	Fits
122805	P297	Rain Cap	H722 Series
122820	P304	Wrench	
122810	P298	Rain Cap	H732 Series
122825	P305	Wrench	



P297
P298



P304
P305

Fisher Large Relief Valves

Item Number	Part Number	Size MNPT	Material	Start To Discharge Setting - psig / bar	Flow Capacity - SCFM / SCM ^H Air		For Tanks with Surface Area Up To ⁽¹⁾ : Ft ² / m ²
					U.L.	ASME	
121002	H282-250	2"	Brass	250 / 17,2	11,050 / 18,774	9,724 / 16,521	664 / 61,7
121005	H282-275			275 / 19,0	12,220 / 20,763	10,651 / 18,096	750 / 69,7
121063	H5112-250		Stainless Steel	250 / 17,2	11,050 / 18,774	9,724 / 16,521	664 / 61,7
121060	H5112-265			265 / 18,3	11,814 / 20,072	10,280 / 17,466	719 / 66,8
Special Order	H5112-275			275 / 19,0	12,220 / 20,763	10,651 / 18,096	750 / 69,7

1. Based on UL flow capacities. 2. Use with a 3.5" hex size installation tool.



H722-250



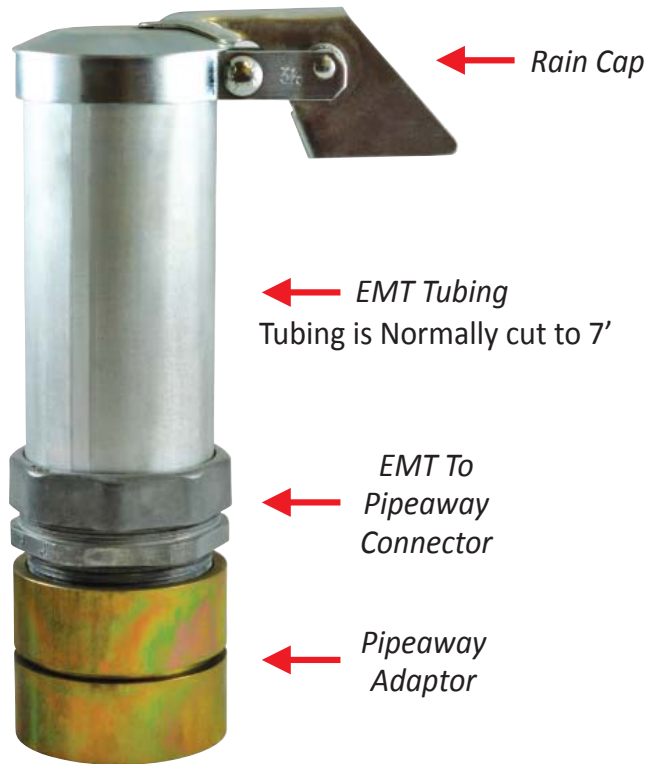
H732-250



H282-250



H5112-250



Relief Valve Rain Cap			
Item Number	Part Number	Minimum O D	Maximum O D
651000	703-1500	1 1/2"	1 11/16"
651020	703-1501	1 3/4"	1 15/16"
651030	703-1502	2"	2 3/16"
651040	703-1503	2 1/4"	2 7/8"
651050	703-1504	2 1/2"	2 11/16"
651060	703-1505	2 3/4"	2 15/16"
651070	703-1506	3"	3 3/16"
651080	703-1508	3 1/2"	3 11/16"



703-1508

EMT Tubing & Fitting		
Item Number	Part Number	Part Description
651085	----	3" EMT Tubing 10' Section
651086	EMT300RTC	Connects Tubing to Pipeaway

Pipeaway Adaptor		
Item Number	Part Number	Inlet & Outlet
122615	MEP104-24	3" FNPT



MEP104-24

MEC Internal Relief Valves						
Item Number	Part Number	Primary Application	Size MNPT	Relief Setting	Flow Capacity SCFM / Air **	Trim Material
					UL @ 120% Set Pressure	
121067	MEV200FIR/250	Bobtail & Transport Tanks	2"	250	4,460	Nitrile
121068	MEV200FIR/265			265	4,670	
121069	MEV300FIR/250		3"	250	10,865	
121070	MEV300FIR/265			265	11,600	
121071	MEV300FIRK/265 *			Kalrez®		

* Seat Material not UL Listed. ** Flow rates are shown for bare relief valves. Kalrez® is a trademark of DuPont.



MEV200FIR/250



MEV300FIR/250



MEV300FIR-3F/265

MEC Flanged Internal Relief Valves						
Item Number	Part Number	Primary Application	Size MNPT	Relief Setting	Flow Capacity SCFM / Air **	Trim Material
					UL @ 120% Set Pressure	
121073	MEV300FIR-3F/250	Bobtail & Transport Tanks	3" 300LB. Flange	250 PSI	10,865	Nitrile
121075	MEV300FIR-3F/265			265 PSI	11,600	
121081	MEV300FIRK-3F/250 *			Kalrez®	250 PSI	10,865
121083	MEV300FIRK-3F/265 *				265 PSI	11,600

* Seat Material not UL Listed. ** Flow rates are shown for bare relief valves. Kalrez® is a trademark of DuPont.

Relief Valve Accessories			
Item Number	Part Number	Part Description	Fits
150855	MEV200FIR-09	Rain Cap	MEV200 Series
122821	MEP200FIR	Wrench	
121089	MEV300FIR-09	Rain Cap	MEV300 Series
121087	MEP300FIR	Wrench	
127983	T10561-38992	3" Flange Gasket	MEV300-3F Series



MEP200FIR



MEV200FIR-09

Quad-Port Relief Valve Manifold							
Item Number	Part Number	Flange Size	No. of Relief Valves	Flow Capacity SCFM/Air** U.L. @ 120% Set Pressure	Factory Installed Relief Valve		
					Seat Material	Start-to-Discharge Setting PSIG	Part Number
150815	ME904S-3F/250VM	3" 300# *	4	27,740 (3)	Viton®	250	MEV250VM/250
150820	ME904S-4F/250VM	4" 300#					MEV250VM/250

* For use with modified 300 # ANSI Flange with 4" port.

** Flow rating based on number of valves indicated in parentheses ()

Flow rates are shown for bare relief valves; pipeaways will reduce flow.

Viton® is a trademark of DuPont Performance Elastomers.



MEV250VM/265

Replacement Gaskets For Quad-Port		
Item Number	Part Number	Part Description
153915	ME904S-3F-027	3" Replacement Gasket
129414	ERSA03240A0	4" Replacement Gasket

Relief Valves							
Item Number	Part Number	Primary Application	Size MNPT	Relief Setting	Flow Capacity - SCFM Air *	Suitable for Tanks w/Surface Area Up To: **	Trim Material
					U.L. @ 120% Set Pressure		
121094	MEV250VM/250	Stationary Tanks	2 1/2"	250 PSI	10,333	610 Sq Ft.	Viton®
121096	MEV250VM/265			265 PSI	10,948	655 Sq Ft.	

* Flow rates are shown for bare relief valves; pipeaways will reduce flow.

** Per NFPA58, table 5.7.25 area shown is for UL or ASME flow rating, whichever is greater.

Viton® is a trademark of DuPont Performance Elastomers.

Steel Excess Flow Valves								
Item Number	Part Number	Application	Inlet Connection	Outlet Connection	U. L., Closing Flow, LP (Horizontal)			PSID
					Liquid	Vapor SCFH		
						25 PSIG Inlet	100 PSIG Inlet	
111340	AL1706	Tanks (Full or Half Couplings)	1 1/4" MNPT	2" MNPT	53 GPM	2,650	4,500	6.0
111356	AL1710		2" MNPT	2" FNPT	101 GPM	18,350	31,200	6.5
111381	A1717				122 GPM	19,985	33,980	6.5
111361	AL1711		2" MNPT	2" MNPT X 1 1/4" FNPT	101 GPM	18,350	31,200	6.5
111382	A1715		3" MNPT	2" MNPT	239 GPM	47,800	83,000	7.0
111365	A1713		3" MNPT	3" MNPT X 2" FNPT	239 GPM	47,800	83,000	6.0

Questions Regarding Excess Flows — Refer To NFPA58 Or Refer To Local Authority Having Jurisdiction.



A1717



AL1710



A1713

Fisher Steel Excess Flow Valves								
Item Number	Part Number	Application	Inlet Connection	Outlet Connection	U. L., Closing Flow, LP (Horizontal)			Differential Pressure PSID / bar d
					Liquid GPM / l/min	Vapor SCFH / SCMH		
						25 PSIG / 1,7 bar Inlet	100 PSIG / 6,9 bar Inlet	
120720	F190	Tanks (Full or Half Couplings)	2" MNPT	2" MNPT X 1 1/4" FNPT	80 / 303	15,400 / 436	26,250 / 743	3.7 / 0,26
120725	F191				105 / 397	18,800 / 532	32,000 / 906	8.9 / 0,61
120730	F194		3" MNPT	2" MNPT	165 / 625	32,800 / 929	55,950 / 1,584	3.1 / 0,21
120735	F195				260 / 984	50,650 / 1,434	86,350 / 2,445	6.9 / 0,48
120740	F198		3" MNPT	3" MNPT X 2" FNPT	165 / 625	33,000 / 934	56,250 / 1,593	3.1 / 0,21
120745	F199				260 / 984	49,500 / 1,402	84,350 / 2,389	7.1 / 0,49

Working Pressure 250 PSIG / 17,2 bar.



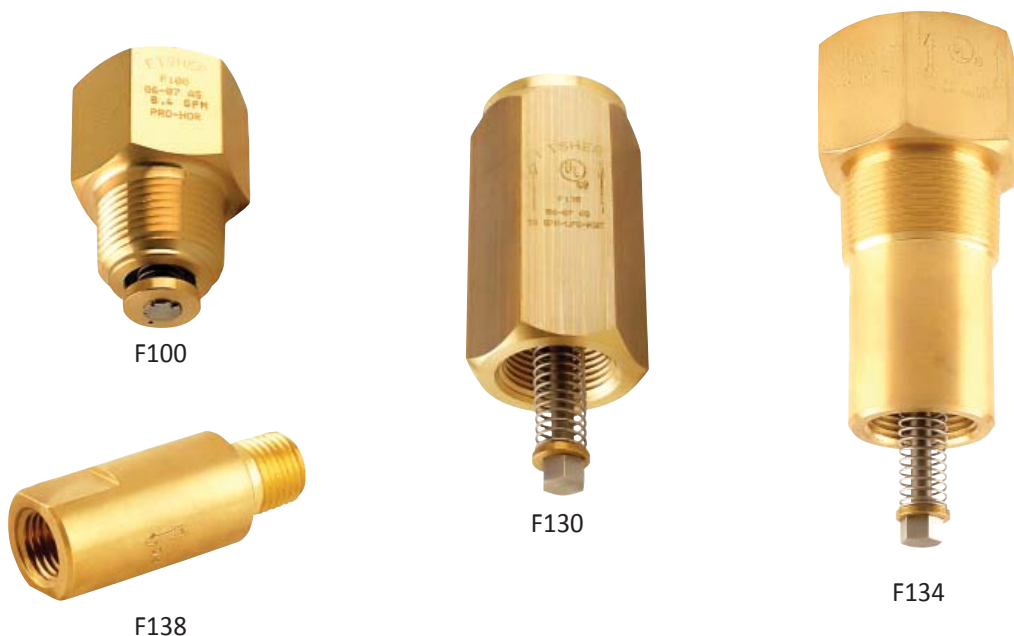
F190

Brass Excess Flow Valves



Fisher Brass Excess Flow Valves								
Item Number	Part Number	Application	Inlet Connection	Outlet Connection	U. L., Closing Flow, LP (Horizontal)			Differential Pressure PSID / bar d
					Liquid GPM / l/min	Vapor SCFH / SCMh		
						25 PSIG / 1,7 bar Inlet	100 PSIG / 6,9 bar Inlet	
120680	F138	In-Line	1/4" MNPT	1/4" FNPT	1.8 / 6,8	377 / 10,7	641 / 18,2	1.4 / 0,097
120747	F202		Male POL	1/2" SAE Flare	1.9 / 7,2	634 / 17,9	1,100 / 31,1	2.6 / 0,18
120685	F170	Tanks (Full or Half Couplings)	3/4" MNPT	3/4" FNPT	6.6 / 25,0	1,184 / 33,5	2,012 / 57,0	1.2 / 0,08
120610	F100				8.4 / 31,8	2,010 / 56,9	3,417 / 96,8	2.4 / 0,17
120615	F101				20 / 76,0	3,459 / 97,9	5,880 / 167	8.5 / 0,59
120620	F102		1 1/4" MNPT	1 1/4" FNPT	33 / 125	6,300 / 178	10,630 / 301	10.7 / 0,74
120625	F105				55 / 208	9,982 / 283	16,967 / 480	10.7 / 0,74
120630	F106		2" MNPT	2" FNPT	85 / 322	18,513 / 524	31,467 / 891	2.6 / 0,18
120635	F107				100 / 379	20,796 / 589	35,349 / 1,001	3.6 / 0,25
120650	F130		In-Line	1" FNPT	1" FNPT	25 / 94,6	5,287 / 150	8,986 / 254
120655	F131	1 1/2" FNPT		1 1/2" FNPT	60 / 227	11,694 / 331	19,877 / 563	4.7 / 0,32
120660	F132	2" FNPT		2" FNPT	96 / 363	19,874 / 563	33,877 / 959	2.1 / 0,14
120665	F133				155 / 587	29,202 / 827	49,718 / 1,408	4.2 / 0,29
120670	F134	Tanks (Full or Half Couplings)	1 1/2" MNPT X 1" FNPT	1" FNPT	28 / 106	5,181 / 147	8,806 / 249	2.7 / 0,19
120675	F135		2 1/2" MNPT X 1 1/2" FNPT	1 1/2" FNPT	60 / 227	12,000 / 340	20,290 / 575	5.2 / 0,35

Working Pressure 250 PSIG / 17,2 bar.



Fisher Back Check Valves						
Item Number	Part Number	Inlet Connection	Outlet Connection	Propane Flow Capacity @ 10 PSIG / 0,69 bar Differential Pressure, CPM / l/min	Seat Construction	Material
120800	G100	3/4" MNPT	3/4" FNPT	21 / 79,5	Metal to Metal	Brass
120805	G101	1 1/4" MNPT	1 1/4" FNPT	55 / 208		
120827	G102	2" MNPT	2" FNPT	150 / 568		
120832	G109	2" FNPT	2" FNPT	150 / 568		
120810	G112	2" MNPT	2" FNPT	150 / 568		
120815	G104	3" MNPT	3" FNPT	250 / 946		
120820	G105	2" MNPT	2" MNPT X 1 1/4" FNPT	137.5 / 520	Soft Seat	Steel
120825	G106	3" FNPT	2" MNPT	254 / 961		
120832	G107	3" MNPT	3" MNPT X 2" MNPT	254 / 961		
120840	G200-10	1 1/4" FNPT	1 1/4" FNPT	190 / 719		
120850	G201-10 *					
120845	G200-16	2" FNPT	2" FNPT	350 / 1,325		
120855	G201-16 *					
120847	G200-24	3" FNPT	3" FNPT	800 / 3,028		
120860	G201-24 *					

* Has a Built-In Flow Indicator Mechanism.



G100



G105



G200-16



G201-16

Steel Back Check Valves					
Item Number	Part Number	Application	Inlet Connection	Outlet Connection	Propane Flow Capacity @ 10 PSIG Differential
111383	A1725	Tanks or In-Line	3/4" MNPT	3/4" FNPT	21 GPM
111385	A1727		1 1/4" MNPT	1 1/4" FNPT	55 GPM
111390	A1728		2" MNPT	2" FNPT	150 GPM
111395	A1729		3" MNPT	3" FNPT	250 GPM
111400	A1733		2" MNPT	2" MNPT	150 GPM



A1729



A1733

Container Thermometers			
Item Number	Part Number	Tank Connection	Stem Length
121245	ST-J700	1/2" MNPT	4"
121250	ST-J701		6"



ST-J700



AL404



AL404-2

Liquid Level Vent Valves			
Item Number	Part Number	Description	Tank Connection
110437	AL404	Liquid Level Valve	3/4" MNPT
110439	AL404-2	AL404 with 0-300 PSIG Pressure Gauge & MEJ400	

TriPod Safety Couplers				
Item Number	Part Number	Inlet	Outlet	Flow Capacity
113045	TP0-1000	3/4" FNPT	3/4" FNPT	25 GPM
113053	TP5-1001	1" MNPT	1" MNPT	61 GPM
113054	TP6-1001			85 GPM
113061	TP7-1001	1-1/4" MNPT	1-1/4" MNPT	140 GPM
113065	TP-4	3" MNPT X 2" FNPT	3" MNPT X 2" FNPT	350 GPM



TP0-1000



TP6-1001



TP4-1000



Female Half



Male Half

TriPod Accessories						
Part Description	Item Number	Part Number	Item Number	Part Number	Item Number	Part Number
Female Half	113100	TP5-1100	113110	TP6-1100	113120	TP7-1100
Male Half	113105	TP5-1200	113115	TP6-1200	113125	TP7-1200

MEC Breakaway Couplings				
Item Number	Part Number	Style	Connection	OAL
150620	ME860S-6	Bracket	3/4" FNPT	6"
150621	ME861S-6	Lanyard		
150626	MEP128-6	Breakaway Reassembly Tool		



ME860S-6



ME861S-6

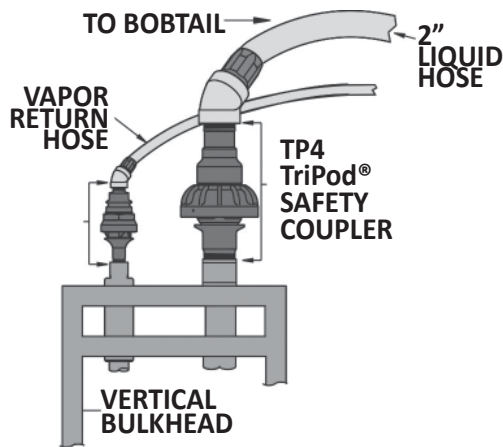


MEP128-6

Breakaway Not Included

Bulkheads			
Item Number	Part Number	Sleeve Style	Opening Sleeve Sizes
790000	1000	Horizontal	2" X 1 1/4"
790005	1001		3" X 2"
790010	1002	Vertical	2" X 1 1/4"
790015	1003		3" X 2"
790020	1006	Horizontal	2" X 1 1/4" X 3"

Other Configurations Available.



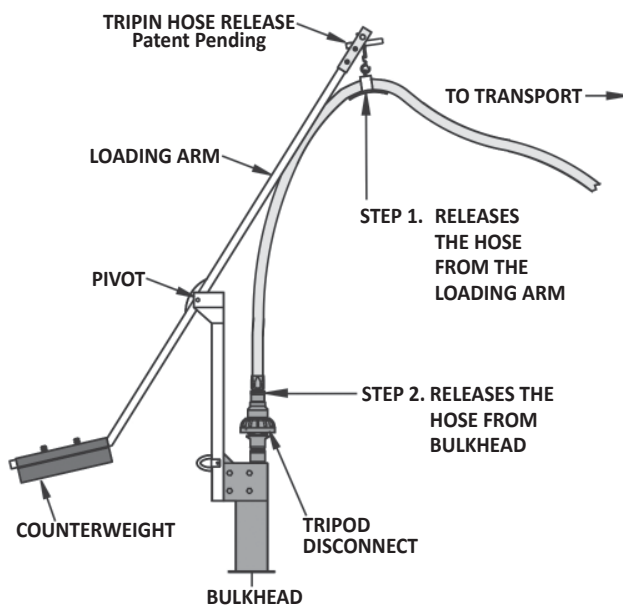
Typical Bulkhead Installation



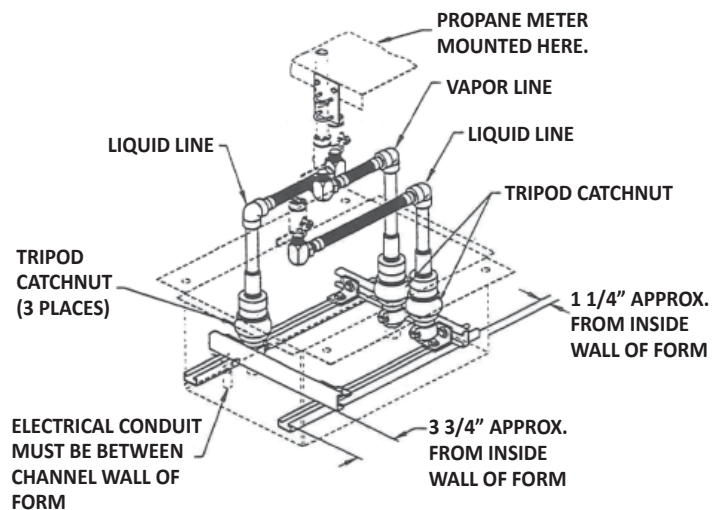
Horizontal

TriPin Loading Arms	
Item Number	Description
113010	Loading Arm Assembly
113011	Loading Arm Assembly with TriPods

Hoses & Bulkhead not included.



Dual Dispenser



LP-Gas Dispenser Kits	
Item Number	Description
113067	TP-0 Single Hose Dispenser Kit
113070	TP-0 Dual Hose Dispenser Kit

RSD2 Base System		
Item Number	Part Number	Part Description
113522	RSD-R2H	2 - Function Receiver
113555	RSD-T2	2 - Function Transmitter
113526	RSD-H-SH	Shutdown Harness
113529	RSD-SK-REL	Ignition Relay Kit
113553	B4303S	Antenna
113557	PT830BP	Antenna Cable
113559	VTPM	Plate Mount
113556	LBT 3400	Mounting Bracket
113551	444	Belt Clip

RSD2 Order Form on Page 280.



RSD2-000 Base System

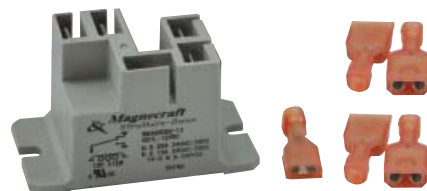


RSD6 Base System		
Item Number	Part Number	Part Description
113523	RSD-R6H	6 - Function Receiver
113565	RSD-T6	6 - Function Transmitter
113526	RSD-H-SH	Shutdown Harness
113529	RSD-SK-REL	Ignition Relay Kit
113553	B4303S	Antenna
113557	PT830BP	Antenna Cable
113559	VTPM	Plate Mount
113556	LBT 3400	Mounting Bracket
113551	444	Belt Clip

RSD6 Order Form on Page 278-279.



RSD6-00000000 Base System



RSD Accessories		
Item Number	Part Number	Part Description
113524	RSD-SVH	Solenoid Valve Module
113525	RSD-RUH	Reel Unwind
113527	RSD-H-QE	Query Enable Harness
113528	RSD-H-PTO	PTO Throttle Kit
113531	RSD-BV1H	Belly Valve W/ Harness
113533	RSD-SK-PSNC	Normally Closed Switch
113550	A301NC12R	RSD Air Valve 12VDC
113561	RSD Transmitter Button Cover	



RSD-SVH



RSD-H-PTO



RSD-H-QE



RSD Button Cover



A301NC12R



RSD-SK-PSNC



RSD-RUH



RSD-BV1H

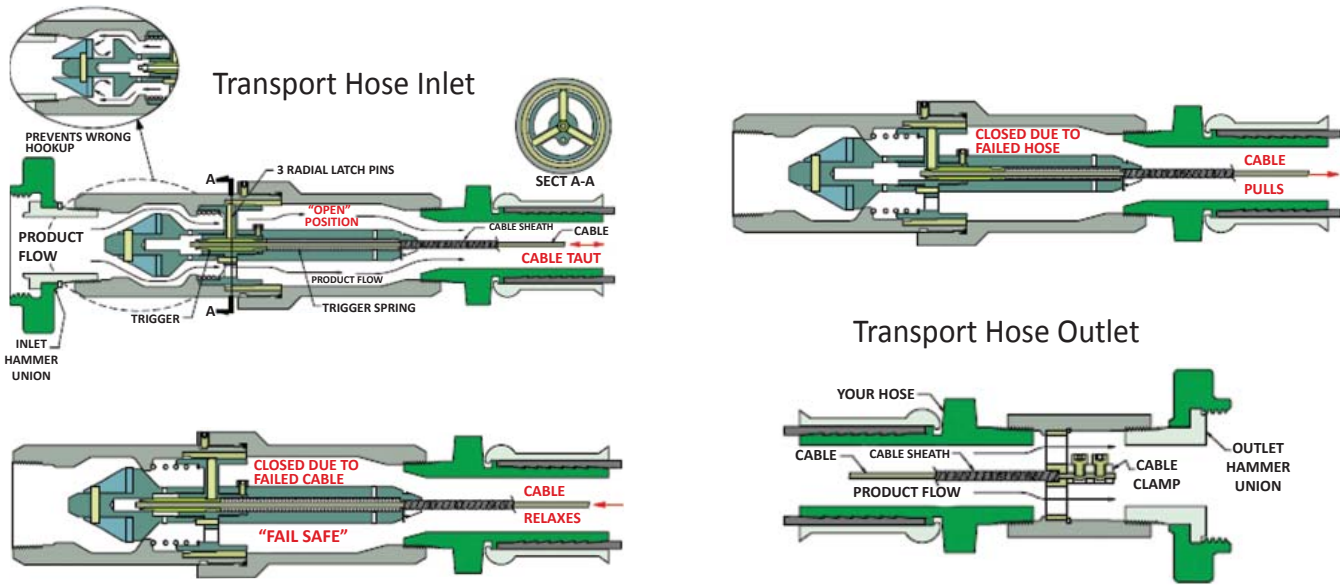
PR4 Passive Hose Shutdown

Item Number	Part Number	Part Description
113500	PR4-1000	Passive Shutdown System for a 2" Transfer Hose With 2" FNPT Ends.
113505	PR4-0022	Utility Tool Kit
113510	PR4-0024	Cable & Sheath Replacement Kit
113511	PR4-0023	Cable Extension Kit
113512	PR4-KP	Anchor End Kit



Transport Hose Inlet

Transport Hose Outlet



Hose Buddy

Item Number	Part Number	Part Description
117325	HB-1000	Fits 2" hose to protect from abrasive ground surfaces. Easily transferable from hose to hose.



HB-1000



Large Fisher Filler Valves				
Item Number	Part Number	Connections Container MNPT X Acme	Back Check Style	Filling Capacity GPM / l/min Propane @ 10 PSI / 0,69 bar Differential
120525	D138	2" X 2 1/4"	Single	105 / 397
120535	D140		Double	100 / 379
120530	D139	3" X 3 1/4"	Single	275 / 1,041
120540	D141		Double	225 / 852



D138 or D139



D140 or D141

In-Line Sight Flow		
Item Number	Part Number	Part Description
111401	A1742	2" Sight Flow
150622	ME875S-16	2" Sight Flow Swing Check
111402	A1743	3" Sight Flow
150623	ME875S-24	3" Sight Flow Swing Check



A1742



ME875S-16

SS Braided Flex Connectors

Item Number	Connection Size	Length	Material
200819	3/4"	12"	Stainless Steel Double Braid w/Hex Wrenching Flats
200821		18"	
200822		24"	
200795	1"	12"	
200798		18"	
200796		24"	
200801	1 1/4"	12"	
200799		18"	
200800		24"	
200829	1 1/2"	12"	
200823		18"	
200827		24"	
200828	2"	12"	
200803		18"	
200835		24"	
200811	3"	12"	
200810		18"	
200845		24"	



200799



Flex with Flanges



200723

Custom Sizes Available. Flanged, Swivel, & Weld-On Ends Available.

Y-Strainers

Item Number	Size MNPT	Mesh Size	Plug Size	Item Number	Size MNPT	Mesh Size	Plug Size
200710	1/4" FNPT	20	3/8"	200722	1 1/2" FNPT	20	1"
200714	1/2" FNPT	40	1/2"	200728		40	
200716	3/4" FNPT			60	200723	2" FNPT	
200703		80		200725	40		
200715		1" FNPT		40	3/4"	200724	2 1/2" FNPT
200712	80		200729			40	
200713	1 1/4" FNPT		20			200726	3" FNPT
200720		40	200730	3" 300# Flange		40	
200707		80	Other Mesh Screens & Gaskets are Available. Plugs on Page 116.				
200706							

Static Strap

Item Number	Part Number	Part Description
182050	2960-2052	30" Strap



182050

Spanner Wrenches, Wheel Chocks, & Toolbox



Acme Spanner Wrench		
Item Number	Part Number	Length
122631	ST-P120B	17 1/2"
320305	J Wrench	12"



ST-P120B



J Wrench

Wheel Chocks						
Item Number	Part Number	Part Description	Material	Width	Length	Height
360203	WC2556A	Wheel Chocks	Rubber	7"	12 1/2"	8 3/4"
360200	ME200		Aluminum	7"	10"	7"
360205	ME200B	Holder Kit	N/A	7"	20"	7 3/4"



ME200



ME200B

Toolbox			
Item Number	Part Number	Description	Size
755000	DUB36FM	Frame Mounted Primed Toolbox	18" X 18" X 36"
755010	DUB108	Gasket Material	108" Gasket



DUB36FM



Door Opens Down



PB Series



PBGMT Series



PBGMB Series

Hannay Single Hose Reels

Model Number	Reel Capacity		Model Number	Reel Capacity	
	1"	1 1/2"		1"	1 1/2"
PB 24-23-24	150'	50'	PBGMT 24-23-24	150'	50'
PB 30-23-24	225'	75'	PBGMT 30-23-24		75'
PB 24-25-26	150'		PBGMT 28-25-26	200'	110'
PB 28-25-26	200'	110'	PBGMB 24-23-24	150'	50'
PB 22-30-31	250'	100'	PBGMB 30-23-24		75'
PB 18-33-34	200'	75'	PBGMB 28-25-26	200'	110'

When ordering power rewind models, prefix model number with:

A = Air Rewind — Supplied with control valve & hose.

E = Explosion Proof Electric Rewind (1/2 HP) — Supplied with explosion proof switch, solenoid, & junction box.

HD = Hydraulic Rewind — Not supplied with control valve.

Hannay EPS Switch

Item Number	Part Number	Part Description
146817	9917.0200	EPS-1 Switch Complete
150701	MEP-GMC1	Cover For EPS-1
146812	9917.0004	Switch w/Rubber Cap
146814	9917.0008	Rubber Cap Replacement



9917.0200



9917.0004



9917.0008



MEP-GMC1
Cover Only.

Hannay Hose Reel Parts



Hannay Red Dot Switch		
Item Number	Part Number	Part Description
146773	9917.0001	EXPB-2A 12V Switch
146777	9917.0014	Internal Switch
150703	MEP-RDC1	Cover For Red Dot Switch



9917.0014



9917.0001



MEP-RDC1
Cover Only.

Hannay Motors		
Item Number	Part Number	Part Description
146868	9915.0003	1/2 HP Explosion Proof Motor
146822	9915.0009	2/3 HP Explosion Proof Motor
146772	9916.0070	572000 Brushes Pair of 2



9915.0003

Hannay Breakers		
Item Number	Part Number	Part Description
146808	9917.0021	50 Amp Breaker For 1/2 HP
146827	9917.0022	70 Amp Breaker For 2/3 HP
146793	9917.0024	Circuit Breaker Mounting Bracket



9916.0070



9917.0021

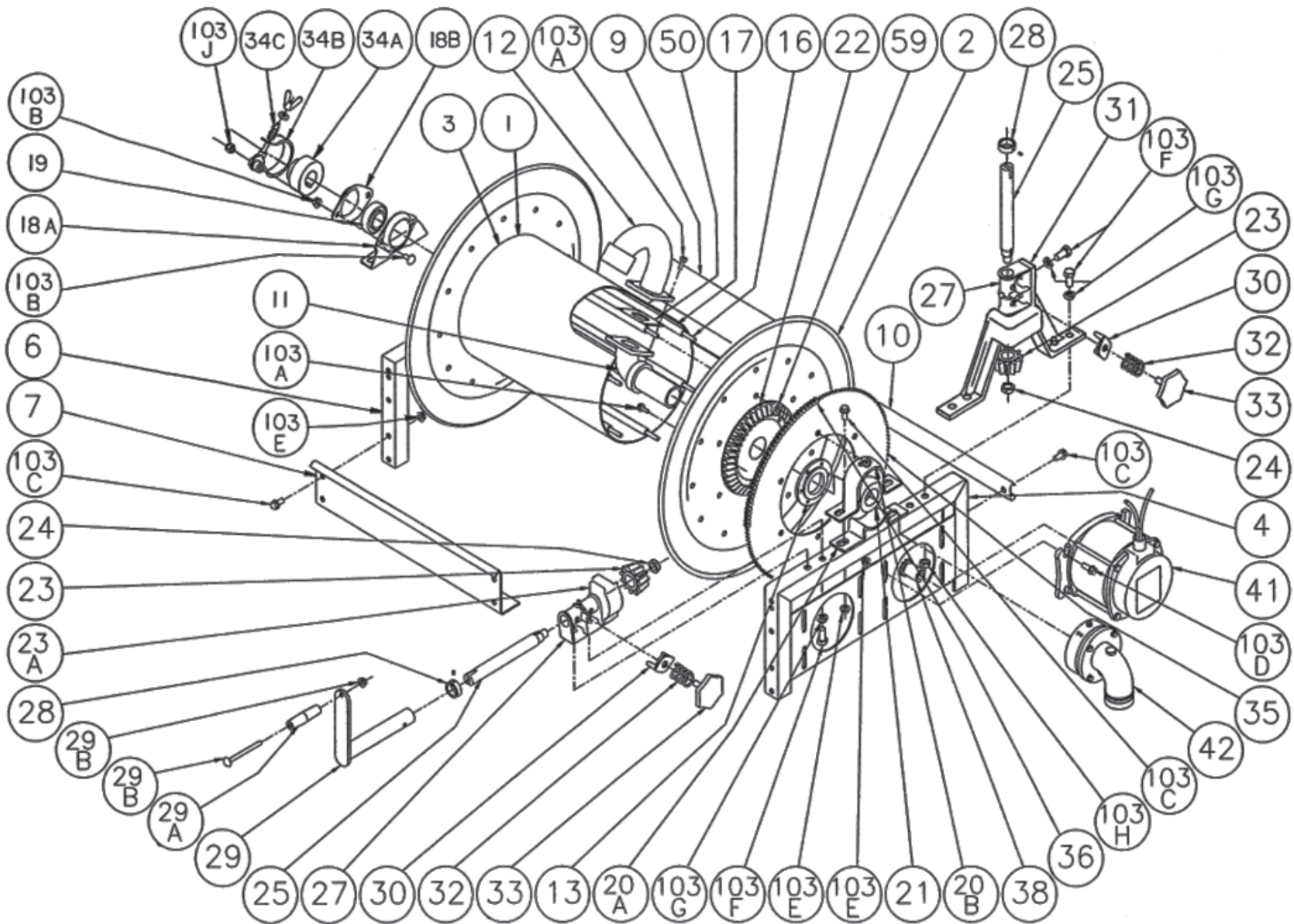
Hannay Bearings		
Item Number	Part Number	Part Description
146766	9902.1400	1" Bearing Complete
146787	9902.1500	1" Bearing Insert
146779	9902.1610	1 1/2" Bearing Complete
146767	9902.1700	1 1/2" Bearing Insert



9902.1610



9902.1700



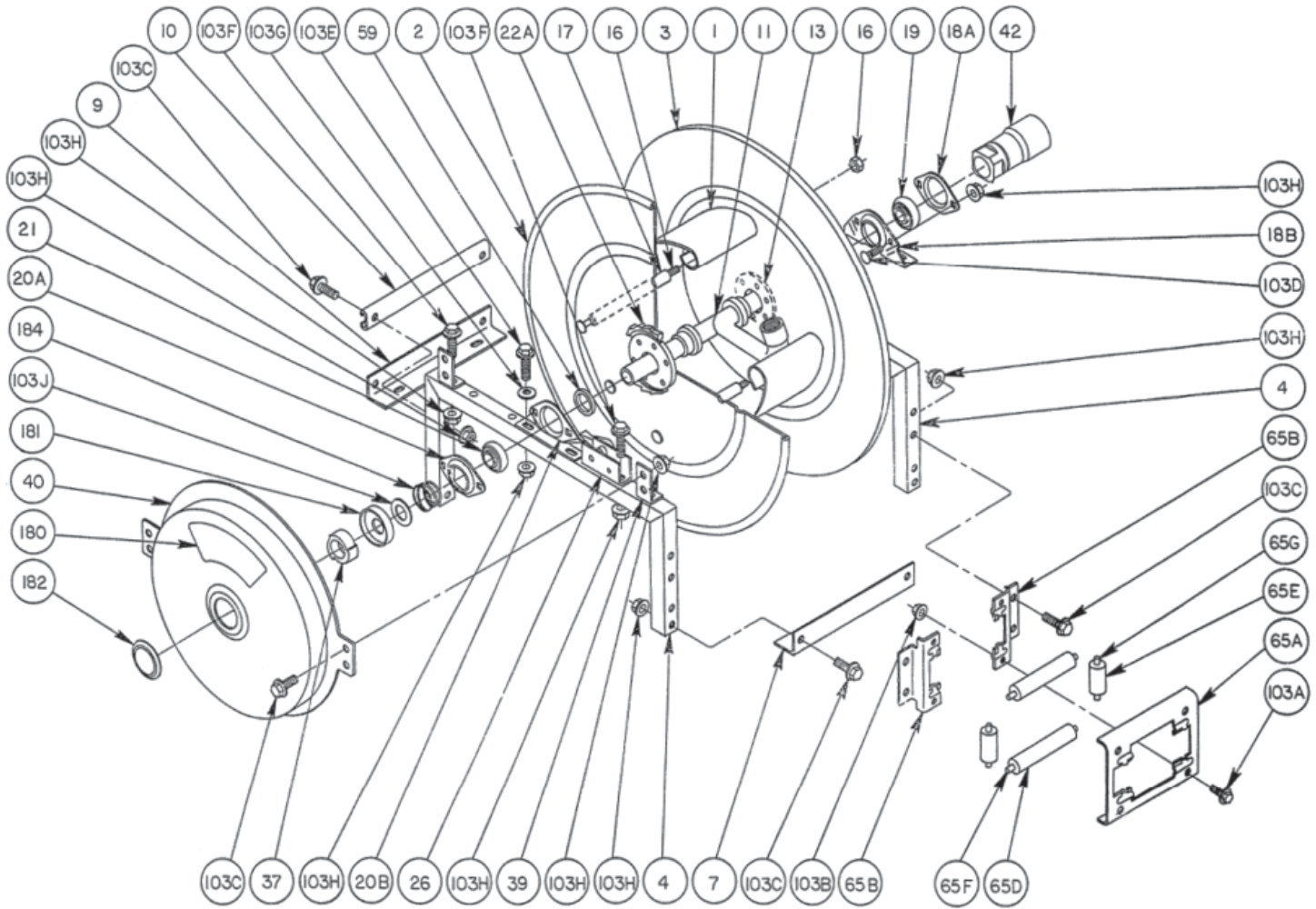
1 1/2" Hose Reel Parts List				
Ref. No.	Item Number	Part Number	Description	Qty.
1	Special Order	9905.3131	Drum — 10 1/2" Diameter (Specify Model)	1
2	Special Order	9903.0821	Front Disc — 19-20 Series	1
	Special Order	9903.1121	Front Disc — 23-24 Series	1
	Special Order	9903.1321	Front Disc — 25-26 Series	1
	Special Order	9903.1521	Front Disc — 28-29 Series	1
	Special Order	9903.1621	Front Disc — 30-31 Series	1
	Special Order	9903.1831	Front Disc — 33-34 Series	1
3	Special Order	9903.0821	Back Disc — 19-20 Series	1
	Special Order	9903.1121	Back Disc — 23-24 Series	1
	Special Order	9903.1321	Back Disc — 25-26 Series	1
	Special Order	9903.1521	Back Disc — 28-29 Series	1
	Special Order	9903.1621	Back Disc — 30-31 Series	1
	Special Order	9903.1831	Back Disc — 33-34 Series	1
4	Special Order	9906.1081	Front Frame — 19-20 Series	1
	Special Order	9906.1111	Front Frame — 23-24 Series	1
	Special Order	9906.1121	Front Frame — 25-26 Series	1
	Special Order	9906.1141	Front Frame — 28-29 Series	1
	Special Order	9906.1151	Front Frame — 30-31 Series	1
	Special Order	9906.1161	Front Frame — 33-34 Series	1

When Ordering Parts:
Be Sure to Specify Complete Model Number & Serial Number Of Reel.
USE PART NUMBER!

Hannay Hose Reel Breakdown



1 1/2" Hose Reel Parts List				
Ref. No	Item Number	Part Number	Description	Qty.
6	Special Order	9906.0081	Back Frame — 19-20 Series	1
	Special Order	9906.0111	Back Frame — 23-24 Series	1
	Special Order	9906.0121	Back Frame — 25-26 Series	1
	Special Order	9906.0141	Back Frame — 28-29 Series	1
	Special Order	9906.0151	Back Frame — 30-31 Series	1
	Special Order	9906.0161	Back Frame — 33-34 Series	1
7	Special Order	9907.3000	Front Foot (Specify Model)	1
9	Special Order	9907.3000	Back Foot (Specify Model)	1
10	Special Order	9907.7000	"C" Channel Brace (Specify Model)	2
11	Special Order	9901.3640	1 1/2" Flange Hub Only (Specify Model)	1
12	Special Order	9901.3760	1 1/2" FNPT Iron Pipe Riser Only	1
13	Special Order	9965.0015	EH-936 Washer	2
16	Special Order	Specify Model	3/8"-16 Carriage Bolt w/Nut	6
17	Special Order	9904.3200	3/8" Spacer Pipes (Specify Model)	6
18	146766	9902.1400	Back Bearing Complete	1
18A	Special Order	9902.2900	Self-Aligning Pillow Block — Back	1
18B	Special Order	9902.2800	Self-Aligning Bearing Holder — Back	1
19	146787	9902.1500	Back Bearing Insert Only	1
20	146779	9902.1610	Front Bearing Complete	1
20A	Special Order	9902.2950	Bearing Holder (Bottom Strap) — Front	1
20B	Special Order	9902.2955	Bearing Holder (Top Strap) — Front	1
21	146767	9902.1700	Front Bearing Insert Only (With Grease Fitting)	1
22	146782	9914.0372	Ring Gear — H-26 (Up to 25-26)	1
	Special Order	9914.0382	Ring Gear — H-28	1
23	146754	9914.0393	Pinion Gear — H-27 (Up to 25-26)	1
	Special Order	9914.0403	Pinion Gear — H-29	1
23A	Special Order	9914.0618	Gear Guard	1
24	146800	9904.5600	5/8"-18 SAE Hex Nut (ESNA)	1
25	Special Order	9914.0250	Pinion Shaft (Specify Model)	1
27	146792	9914.0243	Side Pinion Bearing	1
28	146798	9914.0351	Collar & Set Screw	1
29	146795	9914.0011	Crank Handle — H-18 Complete	1
29A	Special Order	9914.0506	Hand Crank Handle	1
29B	Special Order	9914.0511	Hand Crank Handle Bolt w/Nut	1
30	146801	9914.0433	Brake Pad — H-3	1
31	Special Order	9914.0233	Vertical Rewind Bracket	1
32	Special Order	9914.0451	Brake Spring — H-31	1
33	Special Order	9914.0413	Brake Wheel	1
34A	Special Order	9947.0038	Comet Brake Hub	1
34B	Special Order	9947.0091	Comet Brake Step Only	1
34C	Special Order	9947.0092	Comet Brake Tension Adjuster (Bolt, Spring, Washer, Wing Nut)	1
35	Special Order	9910.1321	112T35 Disc Sprocket	1
	146802	9910.1423	138T35 Disc Sprocket	1
	146794	9910.1526	180T35 Disc Sprocket	1
36	Special Order	Specify Model	Chain — #35	1
38	146755	9910.1118	Motor Sprocket — 11T35 X 1 5/16"	1
41	Special Order	9915.0003	Motor — 12 Volt Explosion-Proof	1
42	146788	9930.4210	1 1/2" 90° FXF Swivel Joint	1
	112063	113-1000	1 1/2" 90° FXF Swivel Joint (Squibb 113)	1
50	146863	9965.0021	Gasket	1
59	Special Order	9954.0017	Sprocket Spacer	6
103A	Special Order	9904.1101	5/16"-18 X 1/2" Hex Head Bolt	9
103B	Special Order	9904.0201	3/8"-16 X 3/4" Carriage Bolt w/Nut (w/o Comet Brake)	2
	Special Order	9947.0093	3/8"-16 X 2" Carriage Bolt w/Nut (w/Comet Brake)	1
103C	Special Order	9904.2201	3/8"-16 X 3/4" Spinlock Bolt	18
103D	Special Order	9904.2202	3/8"-16 X 1" Spinlock Bolt	4
103E	Special Order	9904.6200	3/8"-16 Spinlock Nut	20
103F	Special Order	9904.1402	1/2"-13 X 1" Hex Head Bolt	6
103G	Special Order	9954.0030	1/2" Lock Washer	6
103H	Special Order	9904.5400	1/2"-13 Hex Nut	4
103J		9904.5201	3/8"-16 ESNA Nut	1

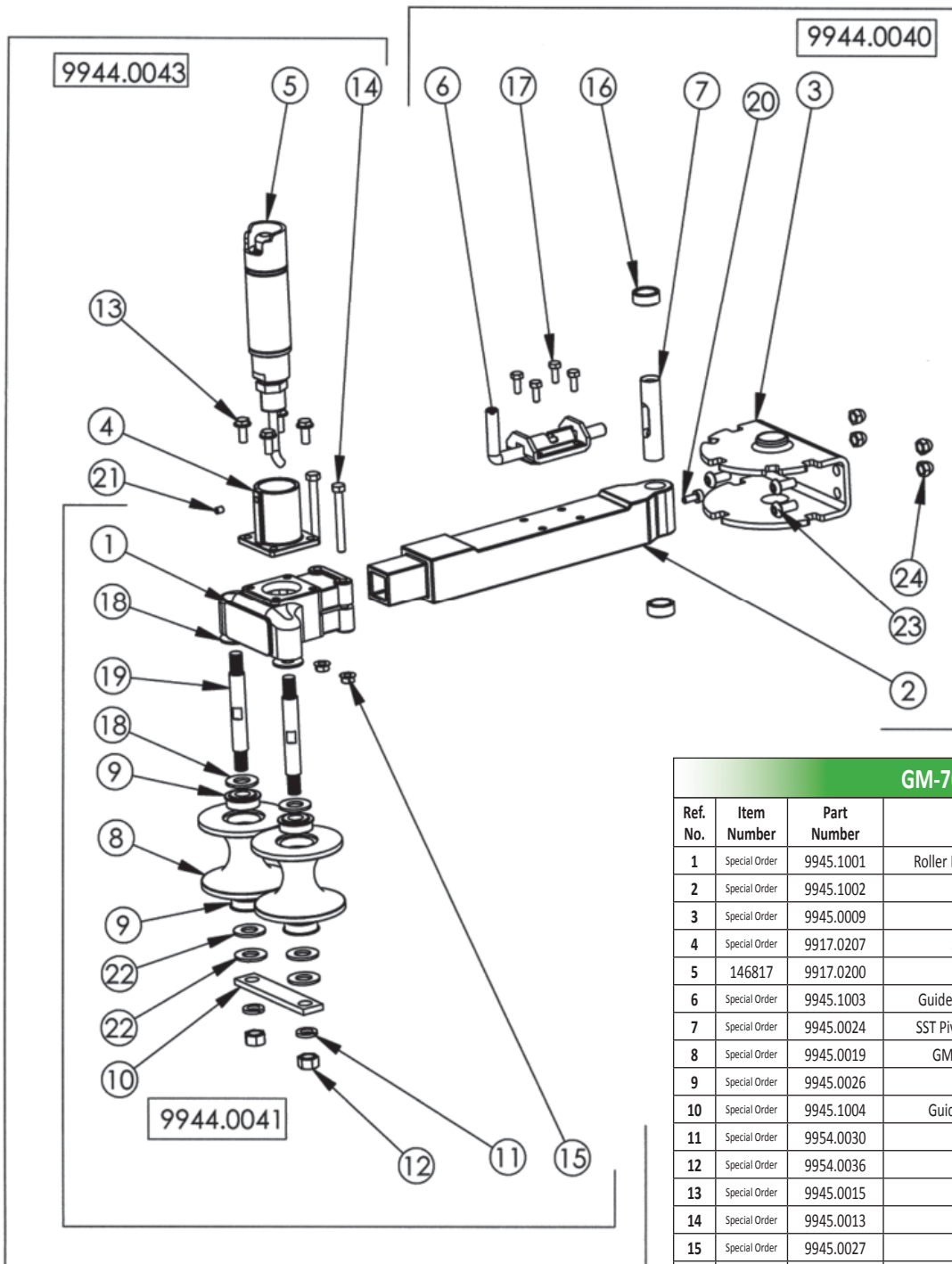


1" Hose Reel Parts List

Ref. No.	Item Number	Part Number	Description	Qty.
1	Special Order	9905.0138	Drum — 10 1/2" Dia. — Wrap Around	(Specify Model) 1
	Special Order	9905.0178	Drum — 15 1/2" Dia. — Wrap Around	(Specify Model) 1
2	Special Order	9903.0821	Front Disc — 19-20 — 18 3/4" Dia.	(Specify Model) 1
	Special Order	9903.1121	Front Disc — 23-24 — 21 3/4" Dia.	(Specify Model) 1
	Special Order	9903.1321	Front Disc — 25-26 — 24 3/4" Dia.	(Specify Model) 1
	Special Order	9903.1521	Front Disc — 28-29 — 26 3/4" Dia.	(Specify Model) 1
	Special Order	9903.1621	Front Disc — 30-31 — 28 3/4" Dia.	(Specify Model) 1
3	Special Order	9903.0821	Back Disc — 19-20 — 18 3/4" Dia.	(Specify Model) 1
	Special Order	9903.1121	Back Disc — 23-24 — 21 3/4" Dia.	(Specify Model) 1
	Special Order	9903.1321	Back Disc — 25-26 — 24 3/4" Dia.	(Specify Model) 1
	Special Order	9903.1521	Back Disc — 28-29 — 26 3/4" Dia.	(Specify Model) 1
	Special Order	9903.1621	Back Disc — 30-31 — 28 3/4" Dia.	(Specify Model) 1
4	Special Order	9906.0081	Front Frame — 19-20 — 1 1/2" Rollform Channel	1
	Special Order	9906.0111	Front Frame — 23-24 — 1 1/2" Rollform Channel	1
	Special Order	9906.0121	Front Frame — 25-26 — 1 1/2" Rollform Channel	1
	Special Order	9906.0141	Front Frame — 28-29 — 1 1/2" Rollform Channel	1
	Special Order	9906.0151	Front Frame — 30-31 — 1 1/2" Rollform Channel	1

When Ordering Parts:
Be Sure to Specify Complete Model Number & Serial Number Of Reel.
USE PART NUMBER!

1" Hose Reel Parts List				
Ref. No.	Item Number	Part Number	Description	Qty.
6	Special Order	9906.0081	Back Frame — 19-20 — 1 1/2" Rollform Channel	1
	Special Order	9906.0111	Back Frame — 23-24 — 1 1/2" Rollform Channel	1
	Special Order	9906.0121	Back Frame — 25-26 — 1 1/2" Rollform Channel	1
	Special Order	9906.0141	Back Frame — 28-29 — 1 1/2" Rollform Channel	1
	Special Order	9906.0151	Back Frame — 30-31 — 1 1/2" Rollform Channel	1
7	----	Specify	Front Foot	1
9	----	Specify	Back Foot	1
10	----	Specify	Back Brace — C Channel	1
11	Special Order	9901.1600	1" Hub Assy — Welded Iron Pipe w/ "FNPT Riser	1
13	Special Order	9965.0015	Disc Washer w/Rivets — EH-936	1
16	----	Specify	3/8"-16 Carriage Bolt w/Nut (10 1/2" Drum)	6
	----	Specify	3/8"-16 Carriage Bolt w/Nut (15 1/2" Drum)	10
17	----	Specify	Spacer Pipe (10 1/2" Drum)	6
	----	Specify	Spacer Pipe (15 1/2" Drum)	10
18A	Special Order	9902.2800	Self Aligning Bearing Holder (Back)	1
18B	Special Order	9902.2900	Self Aligning Bearing Pillow Block (Back)	1
19	146787	9902.1500	Self Aligning Bearing Insert (Back)	1
20A	Special Order	9902.2800	Self Aligning Bearing Holder (Front)	1
20B	Special Order	9902.2900	Self Aligning Bearing Pillow Block (Front)	1
21	146787	9902.1500	Self Aligning Bearing Insert (Front)	1
22A	147810	9922.0015	Ratchet Wheel	1
26	Special Order	9922.0005	Ratchet Locking Assy — GH-784	1
37	Special Order	9922.0001	Spring Arbor For A & D Spring	1
	Special Order	9922.0002	Spring Arbor For B, G, & J Spring	1
39	Special Order	9922.0009	Spring Mounting Bracket	2
40	146861	9921.0010	Spring Motor — A (Specify Reverse or Non-Reverse)	1
	Special Order	9921.0015	Spring Motor — B (Specify Reverse or Non-Reverse)	1
	Special Order	9921.0020	Spring Motor — D (Specify Reverse or Non-Reverse)	1
	Special Order	9921.0021	Spring Motor — G (Specify Reverse or Non-Reverse)	1
	Special Order	9921.0030	Spring Motor — J (Specify Reverse or Non-Reverse)	1
42	Special Order	9929.8538	1" 90° FXF B.P. Swivel Joint	1
59	Special Order	9954.0021	Hub Spacer	2
65A	----	Specify	Roller Bracket Frame — GH-895	1
65B	Special Order	9940.0170	Roller Mounting Bracket — GH-986	1
65D	----	Specify	1" Dia. Roller for Stamped Housing — GH-1012	2
65E	Special Order	9940.0180	1" Dia. Roller for Stamped Housing — GH-1012A	2
65F	----	Specify	1/4" Dia. Stainless Steel Rod	2
65G	Special Order	9940.0190	1/4" Dia. Stainless Steel Rod — 2 3/4" Long	2
66	Special Order	9939.0009	EH-678D Roller Assembly (Not Shown)	1
103A	Special Order	9904.2101	5/16"-18 X 3/4" Spinlock Bolt	4
103B	Special Order	9904.6100	5/16"-18 Spinlock Nut	4
103C	Special Order	9904.2201	3/8"-16 X 3/4" Spinlock Bolt	14
103D	Special Order	9904.0201	3/8"-16 X 3/4" Carriage Bolt	4
103E	Special Order	9904.2203	3/8"-16 X 1 1/4" Spinlock Bolt	4
103F	Special Order	9904.2204	3/8"-16 X 1 1/2" Spinlock Bolt	4
103G	Special Order	9954.0007	3/8" Flat Washer	4
103H	Special Order	9904.6200	3/8"-16 Spinlock Nut	22
103J	Special Order	9954.0019	1 7/8" O.D. X 1 5/16" I.D. X .049 Washer	1
180	Special Order	9922.0010	Caution Decal — "Spring Under Tension"	1
181	Special Order	9922.0036	Cap-Plug for Spring (Inner Side)	1
182	Special Order	9922.0037	Cap-Plug for Spring (Outer Side)	1
184	Special Order	9922.0038	Dust Cap Spring	1



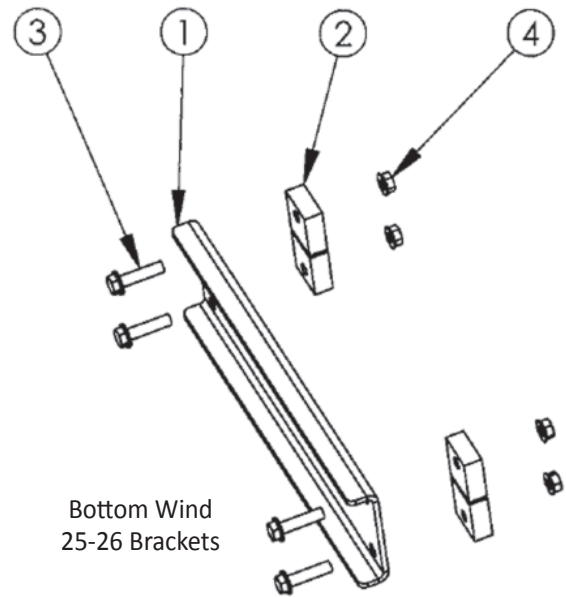
GM-700 Parts List

Ref. No.	Item Number	Part Number	Description	Qty.
1	Special Order	9945.1001	Roller Body Casting w/Mounting Bolts (For GM-700)	1
2	Special Order	9945.1002	Guide Arm Casting (For GM-700)	1
3	Special Order	9945.0009	Mounting Yoke w/Bronze Bushings	1
4	Special Order	9917.0207	Switch Mounting Bracket (For GM 700)	1
5	146817	9917.0200	EPS-1 Explosion-Proof Switch	1
6	Special Order	9945.1003	Guidemaster Pinlock Assembly — SS (For GM-700)	1
7	Special Order	9945.0024	SST Pivot Pin (With 1/4" Cap Screw & Lock Washer)	1
8	Special Order	9945.0019	GM-609 Roller (w/ 2 Pressed-In Ball Bearings)	2
9	Special Order	9945.0026	GM-608 Ball Bearing	4
10	Special Order	9945.1004	Guidemaster Bottom Roller Plate (For GM-700)	1
11	Special Order	9954.0030	1/2" Lock Washer	2
12	Special Order	9954.0036	1/2"-13 Hex Nut	2
13	Special Order	9945.0015	1/4"-20 X 3/4" Socket Head Cap Screw	4
14	Special Order	9945.0013	5/16"-24 X 2 1/2" Plated Bolt w/Nut	2
15	Special Order	9945.0027	5/16"-24 Hex Nut	2
16	Special Order	9945.0011	Oil-Impregnated Bronze Bushing For Yoke	2
17	Special Order	9945.0015	1/4"-20 X 3/4" SST Socket Head Cap Screw	4
18	Special Order	9954.0008	1/2" Flat Washer	2
19	Special Order	9945.1005	Roller Mounting Bolt (Threaded) For GM-700	2
20	Special Order	9945.0055	1/4"-20 X 5/8" SST Socket Head Cap Screw & Lock Washer	2
21	Special Order	9958.0010	1/4"-20 X 5/16" Set Screw	1
22	Special Order	9954.0004	5/8" Flat Washer	6
23	Special Order	9904.9201	3/8"-16 X 3/4" Button Socket Head	4
24	Special Order	9904.5290	3/8"-16 Hex Acorn Nut	4

When Ordering Parts:
Be Sure to Specify Complete Model Number & Serial Number Of Reel.
USE PART NUMBER!

Bottom Wind Parts List

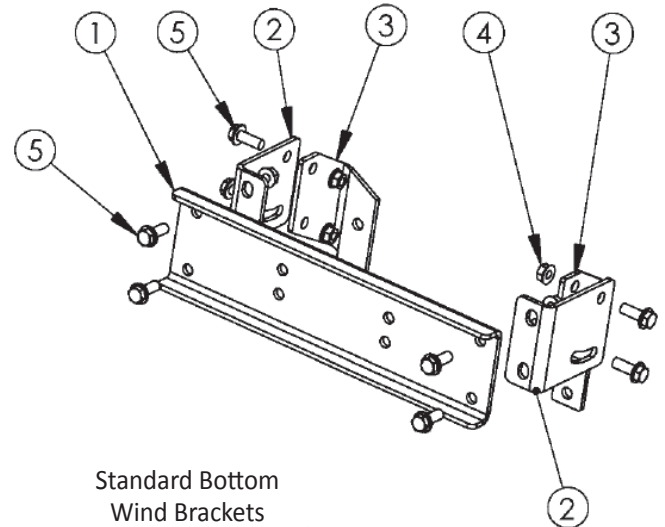
Ref. No.	Item Number	Part Number	Description	Qty.
1	Special Order	9945.0048	Cross Member — Channel (P82A-00041)	1
2	Special Order	9945.0025	Spacer Block (P28A-00650)	4
3	Special Order	9904.2204	3/8" -16 X 1 1/2" Spinlock Bolt	4
4	Special Order	9904.6200	3/8" -16 X 1" Hex Spinlock Bolt	4



Bottom Wind
25-26 Brackets

Standard Bottom Parts List

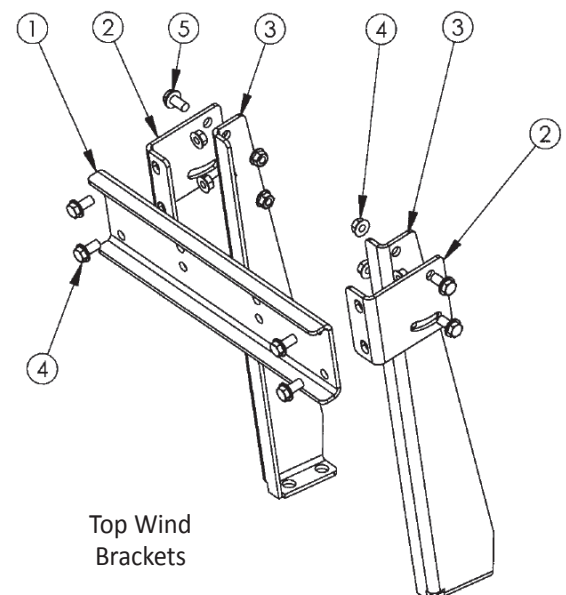
Ref. No.	Item Number	Part Number	Description	Qty.
1	Special Order	9945.0048	Cross Member — Channel (P82A-00041)	1
2	Special Order	9945.0060	Guidemaster Angle Bkt LH & RH (P23A-00070)	2
3	Special Order	9945.0036	Btm Wind Guidemaster Bkt LH & RH (P23A-00010)	2
4	Special Order	9904.6200	3/8" -16 Spinlock Nut	8
5	Special Order	9904.2202	3/8" -16 Hex Spinlock Bolt	8



Standard Bottom
Wind Brackets

Top Parts List

Ref. No.	Item Number	Part Number	Description	Qty.
1	Special Order	9945.0048	Cross Member — Channel (P82A-00041)	1
2	Special Order	9945.0060	Guidemaster Angle Bkt LH & RH (P23A-00070)	2
3	Special Order	9945.0037	Btm Wind Guidemaster Bkt LH & RH (P23A-00320)	2
4	Special Order	9904.6200	3/8" -16 Spinlock Nut	8
5	Special Order	9904.2201	3/8" -16 Hex Spinlock Bolt	8



Top Wind
Brackets

Pressure Gauges							
1/4" MNPT Mounting Stem	Squibb Taylor		Fisher		Range PSIG	Dial Size	Fill Type
	Item Number	Part Number	Item Number	Part Number			
Bottom	121201	ST-J500	121190	J500	0 - 15	2"	Dry
	121202	ST-J501	121195	J501	0 - 30		
	121203	ST-J502	121200	J502	0 - 60		
	121204	ST-J503	-----	-----	0 - 100		
	121206	ST-J504	121210	J504	0 - 160		
	121207	ST-J505	-----	-----	0 - 200		
	121208	ST-J506	121220	J506	0 - 300		
Back	121211	ST-J510	121196	J510	0 - 15		
	121212	ST-J511	121197	J511	0 - 30		
	121213	ST-J512	121198	J512	0 - 60		
	121214	ST-J513	121199	J513	0 - 100		
	121216	ST-J514	121193	J514	0 - 160		
	121218	ST-J516	121222	J516	0 - 300		
	290651	9767240			0 - 300	2 1/2"	Glycerin
Bottom	290652	9767096			0 - 300		
Back	290653	ST-J524	-----	-----	0 - 400		
Bottom	290654	MEJ603HP-01			0 - 300		
	290655	MEJ603LP-01			0 - 15		



ST-J500



ST-J510



ST-J524

Gauge Snubber				
Item Number	Part Number	Type	Inlet	Outlet
141031	ST-1449	Stainless Steel w/ 54 Drill	1/4" MNPT	1/4" FNPT



ME202SS

Section I Index



Section I Index			
• Breakout	242	• Mr. Heater Portable Radiant Heaters	255
• Bulkhead Fittings	269	• Mr. Heater Radiant Garage Heaters	253
• Camping Elbows & Adaptors	260	• Mr. Heater Tank Top Heaters	254
• Camping Fittings	261	• Mr. Heater Tank Top Parts	256
• Camping Tees	259	• Mr. Heater Universal Fuel Filter	254
• Carburetion Fittings	270	• Orifice Adaptor & Kit	268
• Carburetion Hose & Filters	270-271	• Orifices - Baso Pilot	265
• Decals	244-248	• Orifices - General Control Pilot	265
• Flow-Longer & Stay-Longer Kits	258	• Orifices - Minneapolis-Honeywell Pilot	266
• Forklift Cylinder Brackets	270	• Orifices - Plug & Cap	263-264
• Free All	242	• Orifices - Robertshaw Pilot	265-266
• Fuellocks	270	• Orifices - White-Rodgers Pilot	266
• Gasket Kit	272	• PLS-2	243
• Gaskets & O-Rings	272	• Propane Burner Accessories	249
• Gasoila	243	• Propane Burner Head	249
• Gauging Drills & Kit	268	• Reamers	268
• Gloves	241	• Rectorseal	243
• Graphite Grease	262	• Red Dragon Liquid Torch Kit	251
• Impco Converters	269	• Red Dragon Roofing Torch Kits	251
• Impco Dual Fuel Mixers	269	• Red Dragon Torch Accessories	252
• Impco Repair Kits	269	• Red Dragon Torch Only	252
• JC-30	243	• Red Dragon Vapor Hand Torch Kit	250
• Lighters	242	• Red Dragon Vapor Jet Torch Kits	251
• Manchester Torch Kits	249	• Red Dragon Vapor Torch Kits	250
• Manchester Torch Only	249	• Serviceman's Friend	267
• MEC Rubber Pigtails	257	• Serviceman's Kits	267
• Mixer Subassemblies	269	• Space Heater Valves	262
• Mr. Heater Buddy® Heaters	254	• Teflon Tape	243
• Mr. Heater Convection Heaters	255	• Thermocouple	262
• Mr. Heater Cordless Forced Air Heaters	253	• Tola	242
• Mr. Heater Forced Air Heaters	253	• Tub-O Towels	242
• Mr. Heater Gas Mate Connectors	256	• Valve Locks	244
• Mr. Heater Hose Assemblies	257	• Wet Suits	242
• Mr. Heater Infrared Tube Heaters	255	• Wire-Braided Hose & Fittings	271



23-193

Winter Monkey Grip				
Item Number	Part Number	Style	Size	Case Quantity
280545	23-193	Smooth	Men's	12 Pcs.



23-173

Wet Winter Monkey Grip				
Item Number	Part Number	Style	Size	Case Quantity
280524	23-173	Rough	Men's	12 Pcs.



31-791-M

Winter Tuf-Duk			
Item Number	Part Number	Size	Case Quantity
280520	31-791-M	Men's M	6 Pcs.
280521	31-791-L	Men's L	6 Pcs.



52-547

Summer			
Item Number	Part Number	Size	Case Quantity
280522	52-547	9.0	12 Pcs.
280523		10.0	12 Pcs.



80-400-10

Power Flex			
Item Number	Part Number	Size	Case Quantity
280515	80-400-10	10.0	6 Pcs.

Wet Winter Monkey Grip				
Item Number	Part Number	Length	Size	Case Quantity
280540	4-452-M	12"	Men's M	12 Pcs.
280542	4-452-L		Men's L	12 Pcs.
280539	4-414-L	14"	Men's M	12 Pcs.



4-452-M



4-414-L

Wet Suits			
Item Number	Part Number	Size	Part Description
280530	65-200-M	Medium	Jacket, Bib Overalls, & Detachable Hood.
280532	65-200-L	Large	
280534	65-200-XXL	2X Large	



GM-3X

Gas Match Lighters		
Item Number	Part Number	Part Description
320303	GM-3	Refillable Straight Lighter
320301	GM-3X	Refillable Flexible 15" Lighter
320306	GM-12	Curved Igniter

65-200-M



FA12

Tub-O Towels			
Item Number	Part Number	Size	Case Quantity
223702	TW90	90 Towels	6



TW90

Free All			
Item Number	Part Number	Size	Case Quantity
200013	FA12	12 Oz. Aerosol	12



Break Out

Break Out			
Item Number	Part Number	Size	Case Quantity
200210	Break Out	8 Oz. Can	12

Tola		
Item Number	Part Description	Case Quantity
360305	1 Gallon	4 Pcs.
360300	8 Oz. Bottle With Dauber Cap	24 Pcs.



360305



360300



PB04

PLS-2 Brush Top			
Item Number	Part Number	Size	Case Quantity
200000	PB04	1/4 Pint Can	24 Pcs.
200003	PB16	1 Pint Can	6 Pcs.



JC04

JC-30 Brush Top			
Item Number	Part Number	Size	Case Quantity
200005	JC04	1/4 Pint Can	24 Pcs.
200010	JC16	1 Pint Can	12 Pcs.



SS04

Gasoil Brush Top			
Item Number	Part Number	Size	Case Quantity
200012	SS04	1/4 Pint Can	24 Pcs.
200008	SS16	1 Pint Can	12 Pcs.



#5

Rectorseal Brush Top			
Item Number	Part Number	Size	Case Quantity
200525	# 5	1/4 Pint Can	24 Pcs.
200530		1/2 Pint Can	24 Pcs.
200535		1 Pint Can	12 Pcs.



1901-E

Teflon Tape				
Item Number	Part Number	Width	Length	Case Quantity
223700	ZT21	1/2"	520"	144 Pcs.
223701	ZT13	3/4"	500"	100 Pcs.
223675	1901-D	1/2"	520"	100 Pcs.
223676	1901-E	3/4"		100 Pcs.



ZT13

Valve Locks & Decals



Valve Locking Device	
Item Number	Description
360137	Fits Standard Globe, Angle, & Tank Valves From 3/4" To 2" (Up To 4 3/4" Handwheel Diameter)
360138	Fits Standard 3" Globe & Angle Valves (Up To 8" Handwheel Diameter)
404010	# 1 Locking Cap For Filler Valves



404010



360138



Item Number	Part Number	Description
650040	V-26B	Vinyl Decal



Item Number	Part Number	Description
650082	V-130	6" X 5" Vinyl Decal

Item Number	Description
650081	18" X 13" Vinyl Decal



Item Number	Part Number	Description
650026	SP-53R	LP Cylinder Warning Label 9" X 4"

Item Number	Part Number	Description
650027	AA-16	4" X 1 1/4" Dot Cylinder Label



Item Number	Part Number	Description
650037	13-V44-R-3	N 1 Propane Hazard Label 6 3/4" X 4 3/4"

Item Number	Part Number	Description
650047	CS-33	5" X 1 1/2" Dot Cylinder Label / Warnings

THIS VEHICLE STOPS AT ALL RAILROAD CROSSINGS

Item Number	Part Number	Description
650030	S-22A	36" X 8" Vinyl Decal

WE STOP AT ALL RR CROSSINGS

Item Number	Part Number	Description
650039	S-22B	36" X 4" Vinyl Decal

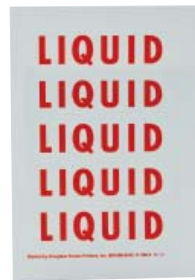
**WORKING PRESSURE
PSIG 200**

Item Number	Description
650086	11 1/2" X 5" Vinyl Decal

**WORKING PRESSURE
PSIG 250**

Item Number	Description
650070	11 1/2" X 5" Vinyl Decal

EMERGENCY RELEASE SPRAY FILL ON
 EMERGENCY RELEASE SPRAY FILL ON
 EMERGENCY RELEASE SPRAY FILL ON
 PULL LIQUID OFF
 PULL LIQUID OFF
 PULL LIQUID OFF
 PUSH VAPOR MAIN VALVE
 PUSH VAPOR MAIN VALVE
 PUSH VAPOR MAIN VALVE



V-90-5



V-91-5

Item Number	Part Number	Description
650075	V-45	Vinyl Decal

Item Number	Part Number	Description
650019	V-90-5	Five 4" X 1" Vinyl Decals Per Sheet
650020	V-91-5	



Item Number	Part Number	Description
650062	V-8	Seven 3" X 1" Vinyl Decals Per Sheet



Item Number	Part Number	Description
650033	VFE-1	3" X 8" Vinyl Decal

PROPANE

Item Number	Part Number	Description
650042	V-28C	2" Vinyl Decal
650014	V-28B	4" Vinyl Decal
650013	V-28A	6" Vinyl Decal

NO SMOKING

Item Number	Part Number	Description
650031	V-23C	2" Vinyl Decal
650011	V-23B	4" Vinyl Decal
650004	V-23A	6" Vinyl Decal

LIQUEFIED PETROLEUM GAS

Item Number	Part Number	Description
650071	V-302C	2" Vinyl Decal

SPRAY FILL

Item Number	Description
650045	1" Vinyl Decal

FLAMMABLE GAS

Item Number	Part Number	Description
650076	V-17C	2" Vinyl Decal
650010	V-17-B	4" Vinyl Decal
650009	V-17A	6" Vinyl Decal

FLAMMABLE

Item Number	Part Number	Description
650079	V-24C	2" Vinyl Decal
650012	V-24A	6" Vinyl Decal

PROPANE GAS

Item Number	Part Number	Description
650077	V-288BB	3" Vinyl Decal

FLAMMABLE GAS NO SMOKING

Item Number	Description
650084	20" X 6" Vinyl Decal

NQT

Item Number	Part Number	Description
650069	V-66	6 1/2" X 2 3/4" Vinyl Decal



Item Number	Part Number	Description
650080	V-31	Decal Kit



650035



650054



650067

W.C.	LES. PROPANE	W.C.	LES. PROPANE
2.39	1	35.8	15
4.78	2	38.2	16
7.17	3	40.6	17
9.56	4	43.0	18
11.9	5	45.4	19
14.3	6	47.8	20
16.7	7	50.2	21
19.1	8	52.6	22
21.5	9	55.0	23
23.9	10	57.4	24
26.2	11	59.8	25
28.6	12	62.2	26
31.0	13	64.6	27
33.4	14	67.0	28

650006



650068



650018

Item Number	Part Number	Description
650035	V-21	18" X 24" Vinyl Decal
650054		12" X 18" Sign
650067	M-99	2' X 4' Sign

Item Number	Part Number	Description
650006	P-101	12" X 12 1/2" Sign
650068	P-102	12" X 12 1/2" Sign
650018	P-83	9" X 7" Sign

Item Number	Part Description
650044	Vinyl Decal with 1" Letters



650044



Item Number	Part Number	Description
650058	P-82	10" X 12" Poly Sign
650056	V-82	10" X 12" Vinyl Decal

Item Number	Part Number	Description
650043	P-81	10" X 12" Poly Sign



Item Number	Part Number	Description
650002	P-1075	Poly Placard
650003	V-1075	Vinyl Decal
650025	G-1075	Magnetic Placard



Item Number	Part Number	Description
650021	V-704-1	7.5" X 7.5" Vinyl Decal
650066	V-704-3	15" X 15" Vinyl Decal



Item Number	Part Number	Description
650085	CG-126	Metal Flip Placard



Item Number	Part Number	Description
650055	V-53	Vinyl Decal



Item Number	Part Number	Description
650051	V-52	Vinyl Decal



Item Number	Part Number	Description
650001	MPH-69	Placard Holder



Item Number	Part Number	Description
650000	V-58	3" X 2 1/2" Vinyl Decal



Item Number	Part Number	Description
650036	S-500B	4 1/2" X 3" Vinyl Decal

Manchester Torch Kits			
Item Number	Part Number	Kit Contents	BTU/hr
280364	8061	3' Power Jet Handburner, Regulator Gauge, & 10' Hose.	750,000
280365	8062	Handiboy Burner, Excess Flow POL, & 10' Hose Assembly. UL Listed.	500,000



8062



8061

Manchester Torch Only			
Item Number	Part Number	Part Description	BTU/hr
280350	8012	Super 8' Power Jet Hand Burner	2,000,000
280360	8017	3' Power Jet Hand Burner	750,000



8017

Propane Burner Head	
Item Number	Kit Contents
280370	King Burner Head w/Shield
280375	Queen Burner Head w/Shield

Burner Accessories	
Item Number	Part Description
280380	King/Queen Fuel Pipe w/Handle
280395	King/Queen Wooden Handle Only



280370

Red Dragon Vapor Torch Kits			
Item Number	Part Number	Kit Contents	BTU/hr
280300	VT 3-30 C	VT 3-30 Torch, 10' Hose, POL Fitting, Needle Valve, & Spark Lighter	500,000
280302	VT 2 1/2-24 CE	VT 2 1/2-24 Torch, 10' Hose, POL Fitting, & Needle Valve	
280305	VT 2 1/2-30 C	VT2 1/2-30 Torch, 10' Hose, POL Fitting, Needle Valve, & Spark Lighter	400,000
280303	VT 2-23 C	VT 2-23 Torch, 10' Hose, POL Fitting, & Needle Valve Assembled	100,000
280312	VT 1 1/2-12 C	VT 1 1/2-12 Torch, 10' Hose, POL Fitting, & Needle Valve	50,000



VT 3-30 C



VT 2 1/2-24 CE



VT 2 1/2-30 C



VT 2-23 C



VT 1 1/2-12 C

Red Dragon Vapor Hand Torch Kit			
Item Number	Part Number	Kit Contents	BTU/hr
280313	HT 1 1/2-10 CR	HT 1 1/2-10 Torch, 10' Hose, POL Fitting, Needle Valve, Regulator, & Spark Lighter w/5 Flints	50,000



HT 1 1/2-10 CR

Red Dragon Vapor Jet Torch Kits

Item Number	Part Number	Kit Contents	BTU/hr
280308	Jet 4	Jet 4 40 1/2" Torch w/Squeeze Valve, 25' Hose, POL Fitting, & Regulator.	1,000,000
280311	Jet 8	Jet 8 84" Torch w/Squeeze Valve, 25' Hose, POL Fitting, & Regulator.	2,000,000



Jet 4



Jet 8

Red Dragon Liquid Torch Kit

Item Number	Part Number	Kit Contents	BTU/hr
280322	LT 2 1/2-30 C	LT 2 1/2-30 Torch, 10' Hose, POL Fitting, & Needle Valve.	250,000



LT 2 1/2-30 C

Red Dragon Roofing Torch Kits

Item Number	Part Number	Kit Contents	BTU/hr
280329	RT 1 1/2-10 C	RT 1 1/2-10 Torch, 25' Hose, Regulator, POL Fitting, Pressure Gauge, Torch Stand, & Spark Lighter w/Flints	50,000
280304	RT 2 1/2-20 C	RT 2 1/2-20 Torch, 25' Hose, Regulator, POL Fitting, Pressure Gauge, Torch Stand, & Spark Lighter w/Flints	400,000
280323	RT Combo	RT 2 1/2-20 Torch w/Male Quick Connect, RT 1 1/2-10 Torch w/ Male Quick Connect, Female Quick Connect, 25' Hose, Regulator, POL Fitting, Pressure Gauge, Torch Stand, & Spark Lighter w/Flints	400,000 / 50,000



RT 1 1/2-10 C



RT 2 1/2-20 C

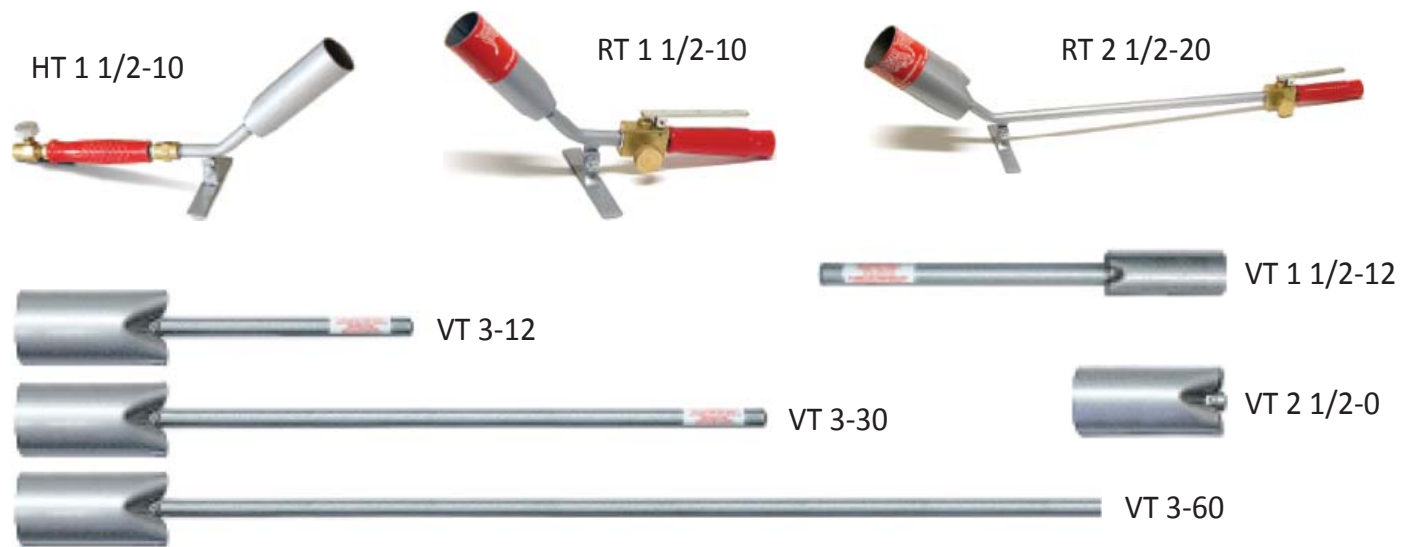


RT Combo

Red Dragon Torches & Accessories



Red Dragon Torch Only				
Item Number	Part Number	Part Description	OAL Length	Maximum BTU/hr
280309	HT 1 1/2-10	10 1/2" Bent Handle	15"	50,000
280331	RT 1 1/2-10	1 1/2" Dia. Torch Head w/Squeeze Valve, Grip, 4" Extension, & Stand	15"	
280328	RT 2 1/2-20	2 1/2" Dia. Torch Head w/Squeeze Valve, Grip, 18" Extension, & Stand	-----	400,000
280310	VT 1 1/2-12	1 1/2" Dia. Torch Head w/11 3/4" Handle	15"	50,000
280306	VT 2 1/2-0	Torch Head Only	5 1/2"	400,000
280325	VT 3-12	3" Dia. Torch Head w/11 3/4" Handle	16 1/2"	500,000
280324	VT 3-30	3" Dia. Torch Head w/28" Handle	33 1/2"	
280321	VT 3-60	3" Dia. Torch Head w/60" Handle	65"	



Red Dragon Accessories		
Item Number	Part Number	Part Description
280315	V-3055	Needle Valve with 1/4" MNPT X 1/4" FNPT Connections
280317	V-334	Heavy Duty Needle Valve with 1/4" MNPT X 1/4" FNPT Connections
280319	V-6591	Squeeze Valve with 1/4" FNPT Connections & 1/4" MNPT Hex Nipple
280316	HP-10	10' Hose Assembly with 1/4" MNPT on Both Ends
280327	HP-25	25' Hose Assembly with 1/4" MNPT on Both Ends



Mr. Heater Forced Air Heaters

Item Number	Part Number	Approximate Area Heated	BTU's Per Hour	Run Time / Cylinder Size
170035	MH35FA	800 Sq. Ft.	35,000	12 Hrs. / 20 Lb.
170055	MH60FAV	1,250 Sq. Ft.	30,000 - 60,000	14 Hrs. / 20 Lb.
Special Order	MH85AV	2,000 Sq. Ft.	50,000 - 85,000	8 Hrs. / 20 Lb.
170125	MH125FAV	3,000 Sq. Ft.	75,000 - 125,000	11 Hrs. / 40 Lb.
170180	MH170FAVT *	4,000 Sq. Ft.	125,000 - 170,000	17 Hrs. / 100 Lb.
Special Order	MH400FAVT *	9,000 Sq. Ft.	250,000 - 400,000	17 Hrs. / 2 - 100 Lb.

10' Hose & Regulator Included. * Thermostat



MH35FA



MH125FAV



MH35CLP

Mr. Heater Cordless Forced Air Heaters

Item Number	Part Number	Approximate Area Heated	BTU's Per Hour	Battery Run Time / Charge Time	Propane Run Time / Cylinder Size
274805	MH35CLP	800 Sq. Ft.	35,000	8 Hrs. / 5 Hrs.	12 Hrs. / 20 Lb.
274810	MH60CLP	1,250 Sq. Ft.	30,000 - 60,000	4 Hrs. / 3 Hrs. *	14 Hrs. / 20 Lb.
274815	F227964	Replacement Battery for Above.			

10' Hose & Regulator Included. * For Single Battery. A Second Battery can be added for 8 hours total.

Mr. Heater Radiant Garage Heaters

Item Number	Part Number	Approximate Area Heated	BTU's Per Hour	Ceiling Height
125444	MH25LP	500 - 600 Sq. Ft.	22,000	7' - 8'
Special Order	MH40LP	750 Sq. Ft.	40,000	12' - 15'

Includes Thermostat, All necessary Brackets, & Hardware.



MH40LP



MH25LP

Mr. Heater Tank Top Heaters				
Item Number	Part Number	Number of Burners	BTU's Per Hour	Cylinder Type
273200	MH15	One	8,000 - 15,000	1 Lb.
273300	MH15C *			1 Lb. or 20 Lb.
273100	MH15T			Direct Connect To A 5 - 20 Lb.
273600	MH30T	Two	8,000 - 30,000	Mounts on 20 Lb.
273900	MH45T	Three	8,000 - 45,000	Mounts On A 20 - 100 Lb.

* Heater or Cooker



MH15



MH15C



MH15T



MH30T



MH45T

Mr. Heater Buddy® Heaters				
Item Number	Part Number	Name	BTU's Per Hour	Cylinder Type
215100	MH4B	Little Buddy®	3,800	1 Lb.
273400	MH9BX	Buddy®	4,000 & 9,000	
274800	MH18B	Big Buddy®	4,000, 9,000, & 18,000	



MH4B



MH9BX



MH18B



F273699

Universal Fuel Filter		
Item Number	Part Number	Part Description
273699	F273699	Required for use with all Portable Buddy & Big Buddy Heaters when attaching to a 20 Lb. propane tank.

Mr. Heater Infrared Tube Heaters		
Item Number	Part Number	BTU's Per Hour
Special Order	MHT45LP	40,000



MHT45LP

Mr. Heater Convection Heaters				
Item Number	Part Number	Approximate Area Heated	BTU's Per Hour	Run Time / Cylinder Size
170480	MH80CV	1,900 Sq. Ft.	30,000 - 80,000	14 Hrs. / 20 Lb.
170600	MH200CV	4,700 Sq. Ft.	75,000 - 200,000	29 Hrs. / 100 Lb.

10' Hose & Regulator Included.



MH200CV



MH35LP

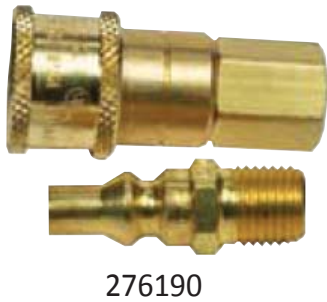


MH125LP

Mr. Heater Portable Radiant Heaters				
Item Number	Part Number	Approximate Area Heated	BTU's Per Hour	Recommended Cylinder Size
170700	MH35LP	800 Sq. Ft.	35,000	14 Hrs. / 20 Lb.
170800	MH125LP	3,000 Sq. Ft.	125,000	29 Hrs. / 100 Lb.

Includes Handle & Wheels.

Mr. Heater Gas Mate™ Connectors				
Item Number	Part Number	Connection	Connection	Description
276186	F276186	1/4" MNPT X Full Flow Male Plug	1/4" FNPT X Quick Connect	Low Pressure
276187	F276187	3/8" MNPT X Full Flow Male Plug	3/8" FNPT X Quick Connect	
276190	F276190	1/4" MNPT X Full Flow Male Plug	1/4" FNPT X Quick Connect	High Pressure
276281	F276187	1/4" MNPT	Full Flow Male Plug	
276358	F276328	1/4" MNPT	Male Plug	Excess Flow
276329	F276329	Female POL	Male Plug	-----
276330	F276330	Quick Connect X Soft Nose POL	1/4" MNPT X Male Plug	Excess Flow
276334	F276334	Quick Connect	Soft Nose POL	



276190



276328



276329



276334

Mr. Heater Tank Top Parts				
Item Number	Part Number	Description	Fits Models	Replacement Info
274825	F232138	Screen Assembly	MH15T, MH15TS, MH30T, MH30TS, MH45T, SRC16T, & SRC30T	-----
273117	F273117	12.5" Thermocouple Lead	Replacement for most Mr. Heater Tank Top Models.	Replacement for Mr. Heater models up to & including 2010.
273116	F273116	Safety Shut-Off Valve w/ Orifice		
273164	F273164	Grid Screen Kit *		
273606	F273606	Regulator & Soft Nose POL	MH12T, MH24T, & MH42T	

* Includes replacement Hardware.



273606



273164

Mr. Heater Hose Assemblies				
Item Number	Part Number	Hose Length	Connection	Connection
273700	F273703-60	5'	Female QCC	1"-20 Male Swivel
273703	F273703-144	12'		
273704	F273704	10'	Plastic Handwheel POL	
273710	F273710	5'	1"-20 Female Swivel	
273711	F273711	12'		

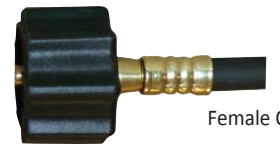


F273710

MEC Rubber Pigtails							
Pigtail Connections		Length	Item Number	Part Number	Length	Item Number	Part Number
1/4" Male Inverted Flare	.9 GPM Excess Flow POL	12"	405129	MER401-12	30"	405135	MER401-30
		15"	405131	MER401-15	36"	405136	MER401-36
		18"	405132	MER401-18	48"	405138	MER401-48
		20"	405133	MER401-20	60"	405139	MER401-60
		24"	405134	MER401-24	-----	-----	-----
1/4" Male Inverted Flare	POL	15"	405140	MER403-15	36"	405148	MER403-36
		18"	405143	MER403-18	48"	405150	MER403-48
		20"	405142	MER403-20	60"	405152	MER403-60
		24"	405144	MER403-24	72"	405153	MER403-72
		30"	405146	MER403-30	120"	405151	MER403-120
1/4" MNPT	.9 GPM Excess Flow POL	12"	404154	MER405-12	30"	405159	MER405-30
		18"	405158	MER405-18	36"	405160	MER405-36
		24"	405155	MER405-30	-----	-----	-----
1"-20 M. Swivel	Plastic Handwheel POL	36"	405176	MER407-36	60"	405175	MER407-60
		48"	405177	MER407-48	144"	405180	MER407-144
1/4" Male Inverted Flare	Female QCC	12"	405161	MER425-12	30"	405166	MER425-30
		15"	405162	MER425-15	36"	405167	MER425-36
		18"	405163	MER425-18	48"	405169	MER425-48
		20"	405164	MER425-20	52"	405170	MER425-52
		24"	405165	MER425-24	60"	405171	MER425-60
1/4" MNPT	Female QCC	12"	405179	MER426-12	20"	405173	MER426-20
		15"	405172	MER426-15	60"	405174	MER426-60



.9 GPM Excess Flow POL



Female QCC



POL



Plastic Handwheel POL



1/4" Male Inverted Flare



1"-20 Male Swivel



1/4" MNPT

Flow-Longer & Stay-Longer Kits		
Item Number	Part Number	Kit Contents
405030	MER470	ME415 — .9 GPM Excess Flow Male Hard Nose POL X Female POL X 1"-20 Male
		12 Foot Hose Assembly w/1"-20 Male X 1"-20 Female
405039	MER471	ME423 — .9 GPM Excess Flow Male Hard Nose POL X 1 5/16" Male Acme/Female POL w/Quick Closing Poppet X 1"-20 Female
		12 Foot Hose Assembly w/1"-20 Male X 1"-20 Female
405031	MER472	ME420 — .9 GPM Excess Flow Male Hard Nose POL X Female POL X 1"-20 Male X 1/4" Female Inverted Flare
		5 Foot Hose Assembly w/.9 GPM Excess Flow Male POL X 1/4" Male Inverted Flare
405032	MER473	ME420 — .9 GPM Excess Flow Male Hard Nose POL X Female POL X 1"-20 Male X 1/4" Female Inverted Flare
		5 Foot Hose Assembly w/.9 GPM Excess Flow Male POL X 1/4" Male Inverted Flare
		12 Foot Hose Assembly w/1"-20 Male X 1"-20 Female



MER470



MER471



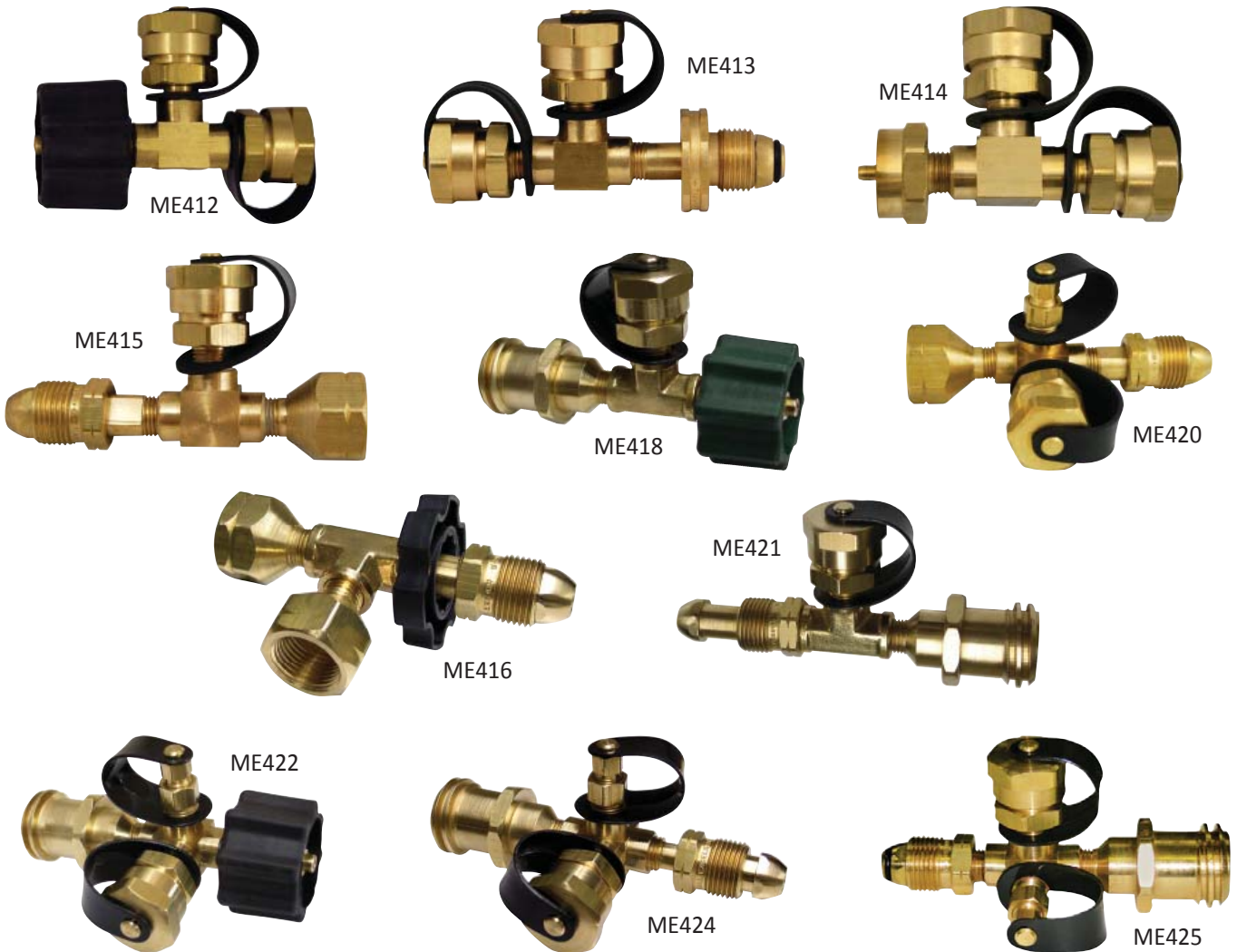
MER472



MER473

Camping Tees					
Item Number	Part Number	Inlet	Auxiliary Inlet	Outlet	Outlet
405054	ME412	Female QCC	----	1"-20 Male	1"-20 Male
405055	ME413	#60 Male Soft Nose POL w/ Brass Handwheel	----		
405058	ME414	1"-20 Female	----		
405059	ME415	.9 GPM Excess Flow Male Hard Nose POL	----	Female POL	Female POL
405250	ME416	.9 GPM Excess Flow Male Hard Nose POL w/Plastic Handwheel	----		
405061	ME420	.9 GPM Excess Flow Male Hard Nose POL	1/4" Female Inverted Flare w/Check	Male QCC /Female POL w/Quick Closing Poppet	1"-20 Male
405252	ME418	Female QCC	----		
405254	ME421	.9 GPM Excess Flow Male Hard Nose POL	----		
405256	ME422	Female QCC	1/4" Female Inverted Flare		
405258	ME424	.9 GPM Excess Flow Male Hard Nose POL	1/4" Female Inverted Flare w/Check		
405260	ME425	.9 GPM Excess Flow Male Soft Nose POL			

Warning: An Excess Flow Valve will not activate if there is a break or leak downstream of the valve that does not equal or exceed the closing flow of the valve or if the Excess Flow Valve installed exceeds the flow capacity of the system. See the Excess Flow Warning page for more information regarding the use of Excess Flow Devices.



Camping Elbows & Adaptors				
Item Number	Part Number	Inlet	Outlet	Outlet
406262	ME423	.9 GPM Excess Flow Male Hard Nose POL	Male QCC/Female POL w/Quick Closing Poppet	1"-20 Male
405264	ME481	1"-20 Female		
150655	ME474	Female QCC	1"-20 Male	----
150653	ME475	#60 Male Soft Nose POL w/ Plastic Handwheel		----
405266	ME475AR	#60 Male Soft Nose POL w/ Brass Handwheel		----
405268	ME475B	#60 Male Soft Nose POL		----
405272	ME477	.9 GPM Excess Flow Male Hard Nose POL w/ Plastic Handwheel — 90°		----
405274	ME497	Male Soft Nose POL w/ Plastic Handwheel — 90° — Length 4.75"		----
405276	ME497AR	Male Soft Nose POL w/ Brass Handwheel — 90° — Length 4.75"		----

Warning: An Excess Flow Valve will not activate if there is a break or leak downstream of the valve that does not equal or exceed the closing flow of the valve or if the Excess Flow Valve installed exceeds the flow capacity of the system. See the Excess Flow Warning page for more information regarding the use of Excess Flow Devices.



ME423



ME474



ME475



ME475B



ME477



ME475AR



ME497



ME497AR



ME481



Camping Fittings			
Item Number	Part Number	Inlet	Outlet
405060	ME417	1/4" MNPT	1"-20 Male w/O-Ring
405066	ME483	1"-20 Female Cap w/Strap	----
150606	ME484	1"-20 Female	1/4" Hose Barb
150607	ME485		1/4" FNPT
405068	ME487		Female POL
405078	ME488		1/4" MNPT
150264	ME491		3/8" Male Flare
405065	ME492	1/4" FNPT	
405062	ME493	9/16"-18 Male Left Hand	1"-20 Male w/Check & O-Ring
405064	ME494		1"-20 Male
405106	ME496	1/4" Hose Barb	1"-20 Male Swivel w/Valve Stem & O-Ring



ME417



ME483



ME484



ME485



ME488



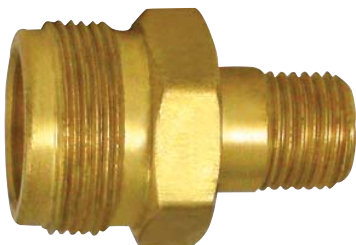
ME492



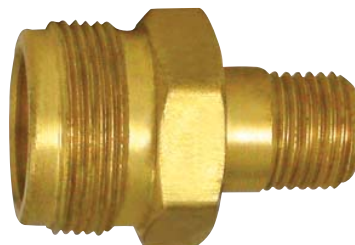
ME487



ME491



ME493



ME494

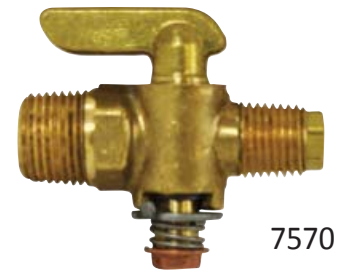


ME496

Heater Valves & Thermocouples



Space Heater Valves		
Item Number	Part Number	Pipe Size - MNPT
220478	92NL	1/8" X 1/8"
220477		1/8" X 1/4"
220452	7570	3/8" X 1/4"



7570

Angle Space Heater Valves		
Item Number	Part Number	Pipe Size - MNPT
220445	7205	3/8" X 1/4"
220450	7521	3/8" X 3/8"



7521

Graphite Grease		
Item Number	Part Number	Part Description
222233	VA-126	Graphite Grease



VA-126

Standard Baso Thermocouple			
Item Number	Part Number	Length	Millivolt Range
300000	K15DS-12	12"	20 - 28
300002	K15DS-18	18"	
300004	K15DS-24	24"	
300006	K15DS-30	30"	
300008	K15DS-36	36"	
300010	K15DS-48	48"	30 - 35
300012	K15DS-60	60"	
300014	K15DS-72	72"	



K15DS-12

Universal Thermocouple			
Item Number	Part Number	Length	Millivolt Range
300018	K19AT-18	18"	25 - 35
300024	K19AT-24	24"	
300030	K19AT-30	30"	
300036	K19AT-36	36"	
300037	K19AT-48	48"	



K19AT-18

Cap Orifices				
Item Number	Part Number	Drill Size	Thread Size	Approx. Length
220646	CO-400	Blank	3/8"-27	23/32"
220569	CO-400-56	56		
220680	CO-400-68	68		
220643	CO-400-72	72		
220641	CO-401-72	72	1/8" MNPT	11/16"
220645	CO-402-72	72	3/8"-40	11/16"
220544	CO-404-72	72	1/2"-27	15/16"
220642	CO-405-72	72	1/2"-20	15/16"
220547	CO-406	Blank	3/8"-27	13/16"
220555	CO-406-56	56		
220644	CO-406-72	72		
220554	CO-406-80	80		
220542	CO-409-72	72	3/8"-40	13/16"
Special Order	CO-410	Blank	9/16"-24	1 5/32"
Special Order	CO-411	Blank	3/8"-27	15/16"

Standard Flat End



CO-405-72

Cap Orifices				
Item Number	Part Number	Drill Size	Thread Size	Approx. Length
220553	CO-414-56	56	3/8"-27	13/16"
222019	CO-414-72	72		



CO-414-56

Plug Orifices			
Item Number	Part Number	Drill Size	Thread Size
222035	PO-512-75	75	5/16"-32



PO-512-75

Plug Orifices			
Item Number	Part Number	Drill Size	Thread Size
220627	PO-518 *	Blank	11/16"-32
220619	PO-518-72 *	72	
222060	PO-523	Blank	1/8" Taper Pipe Thread
222055	PO-523-72	72	
222075	PO-525	Blank	1/4" Taper Pipe Thread
222080	PO-525-72	72	
222090	PO-525-80	80	
222137	PO-558-72	72	9/16"-27
222130	PO-554-72	72	1/2"-24

* Also known as Small Dearborn.



PO-554-72

Plug Orifices			
Item Number	Part Number	Drill Size	Thread Size
222044	PO-519	Blank	1/8" MNPT
222045	PO-519-72	72	
222049	PO-520	Blank	1/4" MNPT
222050	PO-520-72	72	
222051	PO-521-72	72	3/8" MNPT
222053	PO-522-72	72	1/2" MNPT
Spec. Ord.	PO-524	-----	3/4" MNPT



PO-521-72

Plug Orifices			
Item Number	Part Number	Drill Size	Thread Size
222025	PO-505	Blank	1/8" MNPT
220616	PO-505-72	72	

Used to lower Urn Burners.



PO-505-72

Plug Orifices			
Item Number	Part Number	Drill Size	Thread Size
220626	PO-501	Blank	17/64"-36
220618	PO-501-72	72	
220631	PO-501-80	80	
222039	PO-515-72	72	1/4"-32
222106	PO-536-72	72	3/8"-27
222114	PO-542-72	72	3/8"-24
222125	PO-553-72	72	1/2"-20
222102	PO-532-72	72	5/8"-18
222104	PO-534-72	72	3/4"-16



PO-553-72

Cap Orifices				
Item Number	Part Number	Drill Size	Thread Size	Approx. Length
220677	CO-403-72	72	3/8"-27	3/4"
220565	CO-403-80	80		
220547	CO-407-72	72	3/8"-27	15/16"
220520	CO-408-72	72	3/8"-27	13/16"



CO-403-72

Cap Orifices				
Item Number	Part Number	Drill Size	Thread Size	Approx. Length
Special Order	CO-415	*	7/16"-27	57/64"
For many old style ranges including Detroit Jewel Range				
* Drill Sizes LP - 72 Natural - 56				

Standard Flat End



CO-415

Plug Orifices			
Item Number	Part Number	Drill Size	Thread Size
222020	PO-504-80	80	1/4"-40
220630	PO-508-72	72	1/4"-28
222109	PO-538	Blank	3/8"-32
222110	PO-538-72	72	
222112	PO-530-72	72	5/16"-24



PO-530-72

Plug Orifices			
Item Number	Part Number	Drill Size	Thread Size
220628	PO-511 *	Blank	7/16"-27
220621	PO-511-56 *	56	
220620	PO-511-72 *	72	
222105	PO-535-72	72	3/4"-27
222116	PO-543-72	72	7/16"-24
220564	PO-556-72	72	1/2"-27
222135	PO-557-72	72	9/16"-18
222138	PO-559-72	72	5/8"-27

* Also known as Large Dearborn.



PO-556-72

Plug Orifices			
Item Number	Part Number	Drill Size	Thread Size
220625	PO-507	Blank	1/4"-28
220617	PO-507-72	72	
220629	PO-507-80	80	
220632	PO-533-72	72	5/16"-32
222097	PO-529-72	72	5/16"-27



PO-529-72

Baso Pilot Orifices					
Item Number	Part Number	LP Drill Size	NG Drill Size	Description	Notes
221901	BA-701-010	.010"	80	1/8" Male Pipe X 7/16"-27	----
220652	BA-702-010	.010"	N/A	1/4" Compression Connection X 7/16"-27	Used For 19119 (22FLP)
220653	BA-703-010	.010"	80	1/8" Female Pipe X 7/16"-27	----
220556	BA-715-012	"L" .012"	"R" .021"	1/4" Compression Connection X 7/16"-27	CF-641 Included, Double Orifice, Replaces Y90HA
220655	BA-718-012	"L" .012"	"R" .021"	1/4" Compression Connection X 7/16"-27	CF-641 Included, Double Orifice, Replaces Y90AA, Fits B,C,D,F, & R
220656	BA-719-012	"L" .012"	"R" .021"	1/8" Female Pipe X 7/16"-27	Double Orifice, Replaces Y90CB, Fits B,C,D,F, & R
221925	BA-720-012	"L" .012"	"R" .021"	1/8" Female Pipe X 7/16"-27	Double Orifice, Replaces Y90BB, Fits B,C,D,F, & R



BA-701-010



BA-702-010



BA-703-010



BA-715-012



BA-718-012



BA-719-012

General Control Pilot Orifices					
Item Number	Part Number	LP Drill Size	NG Drill Size	Description	Notes
220649	GE-752-011	.011"	76	1/4" Compression Connection	Replacement for old 260, PG-9 & PG-1, L Model
220658	GE-753-011	.011"	78	1/4" Compression Connection X 5/16"-32	Replacement For 1260, 26T, PC, PG-9 & Current PG-1, T Model
220657	GE-754-010	.010"	77	1/4" Compression Connection X 5/16"-32	Replacement For 26T & PG-9
220654	GE-755-010	.010"	77	1/4" Compression Connection	Replacement For 26T, PG-9, 10109HK & HD



GE-752-011



GE-754-010



GE-753-011



GE-755-010

Robertshaw Pilot Orifices					
Item Number	Part Number	Drill Size	Thread Size	Description	Replaces
220622	GR-816-011	.011	5/16"-24	3/16" Compression Connection	Robertshaw Part 10-026. A1860 200 Series
220688	GR-817-010	.010	5/16"-32	1/4" Compression Connection	Robertshaw Part 10-035. A1850 100 Series
220685	GR-819-016	.016"	3/8"-24		Robertshaw Part 10-024. A1870 400 Series



GR-816-011



GR-817-010

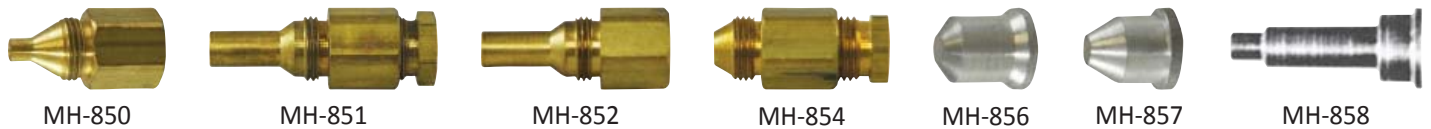


GR-819-016

Robertshaw Pilot Orifices						
Item Number	Part Number	LP Drill Size	NG Drill Size	Length	Connection	Replaces
220659	GR-801	.009"	.0135"	21/64"	Short Type	Fits Pilots
220660	GR-803	.009"	.016"	1/2"	1/4" Compression Connection	A1810Pilot (9B Target)
220661	GR-804	.008"	.016"	57/64"		A1810Pilot (2B Target). Also Used in The GR-814
220662	GR-805	.008"	.016"	15/32"		A1840Pilot (2B Target)
220663	GR-813	.010"	.018"	----		A1820 Pilot (2C Target) & A1830 (2CH)
220666	GR-821	.010"	.018"	----	1/4" Tube Size	A1820 (2C) & A1830 (2CH)
221930	GR-806	.008"	.0135"	9/16"	3/16" Compression Connection	A1800Pilot (9B Target)
221934	GR-807	.008"	.016"	13/16"		A1810Pilot (2B Target). Also Used in The GR-815



Minneapolis-Honeywell Pilot Orifices					
Item Number	Part Number	Drill Size	Thread Size	Connection	Replaces
220682	MH-850	.010"	7/16"-27	1/4" Compression Connection	For Q-305, Q-324, CS-893, & CS-894.
220667	MH-851	.011"			For Q-327, 388146AF, KR, AC & A-11.
220668	MH-854	.010"			WCF-641 CS-983 & 388468D
220674	MH-852	.010"		1/8" Female Pipe	388146 & Q-320
220669	MH-856	.010"	----	----	Honeywell Power Pile Pilot
220670	MH-857	.010"	----	----	388256G
220671	MH-858	.010"	----	----	390686-1



White-Rodgers Pilot Orifices					
Item Number	Part Number	Drill Size	Thread Size	Connection	Replaces
220673	WR-900	.012"	1/2"-20	1/4" Compression Connection	X Style Orifice, A & B Pilot Orifice
222242	WR-902	.012"			Z Style Orifice, A & B Pilot Orifice
222248	WR-905	.010"	7/16"-20		W Style Orifice
222244	WR-903	.010"			U Style Orifice
222240	WR-901	.012"	1/2"-20	1/8" Female Pipe	Y Style Orifice, A & B Pilot Orifice
222246	WR-904	.010"	7/16"-20		V Style Orifice



Gas Serviceman's Kits		
Item Number	Part Number	Part Description
220678	MI-131	Serviceman's Orifice Assortment Kit
220675	MI-132	Pilot Orifice Assortment Kit
220679	MI-135	Special LP Plug & Cap Orifice Kit
Special Order	MI-134	Case Only For Orifice Assortment



MI-131

MI-131 Kit Contents					
Qty.	Part Number	Qty.	Part Number	Qty.	Part Number
15	PO-529	10	PO-511	20	PO-508
12	PO-523	12	PO-530	10	PO-557
12	PO-515	10	PO-520	12	PO-501
8	PO-554	15	PO-519	8	PO-559
10	PO-533	10	PO-558	15	PO-516
10	PO-543	15	PO-539	10	PO-538
10	MI-108	10	MI-109	10	MI-110
30	MI-100	25	CO-400		

MI-132 Kit Contents					
Qty.	Part Number	Qty.	Part Number	Qty.	Part Number
6	GR-804	5	GR-803	3	GR-805
4	GR-806	4	GR-807	5	GR-820
6	GR-818	7	GR-801	5	GR-813
3	MH-851	4	MH-854	6	MH-857
4	MH-856	9	GE-757	1	GE-751
2	GE-752	3	GE-753	3	WR-900
1	WR-901	2	WR-902	2	WR-903
1	WR-904	2	WR-905	6	BA-718
3	BA-719	4	BA-720	3	BA-701
2	BA-702	3	BA-703		

MI-135 Kit Contents					
Qty.	Part Number	Qty.	Part Number	Qty.	Part Number
25	CO-400	10	MI-110	10	MI-108
10	CO-401	10	PO-501	10	MI-109
10	CO-402	20	PO-508	15	PO-519
10	CO-403	10	PO-531	10	PO-520
30	MI-100	10	PO-538	10	PO-527
15	PO-529	5	CO-405	15	PO-533
10	PO-536	10	PO-511	15	PO-539
10	PO-543	10	PO-518		

Serviceman's Friend			
Item Number	Part Number	Connection	Connection
220678	MI-131	5/16" -32 Male 1/8" MNPT 1/2" MNPT	Standard Test Hose Fitting & 1/8" MNPT



MI-131

Orifice Kits, Reamers, & Gauging Drills



Orifice Adaptor Kit		
Item Number	Part Number	Part Description
222250	MI-100-K	Adaptor Kit

MI-100-K Kit Contents					
Qty.	Part Number	Qty.	Part Number	Qty.	Part Number
100	MI-100	1	TL-061	1	TL-062
1	TL-063	1	TL-064	1	TL-070
1	TL-074				



222250

Orifice Adaptor		
Item Number	Part Number	Part Description
220572	MI-100-72	Orifice Adaptor
220573	MI-100-80	



220572

Reamers		
Item Number	Part Number	Part Description
220698	HR	Drill Sizes From 50 to 80.
220699	HC	Drill Sizes From 31 to 52.



220698

Gauging Drills
Part Description
Gauging Drills are Available in sizes GD-0019 - GD-0080.



GD-0065

Gauging Drill Sets		
Item Number	Part Number	Part Description
220570	G-4080	Gauging Drill Set
220571	G-4080M	
220568	G-1939	



220570

Gauging Drill Set Contents	
Part Number	Part Description
G-4080	Heavy Gauge Plastic Case with 1 G-3020 Taper Broach & 41 Gauging drills (Sizes 40 - 80).
G-4080M	Metal Case with 1 G-3020 Taper Broach & 41 Gauging drills (Sizes 40 - 80).
G-1939	Plastic Case with 21 Gauging drills (Sizes 19 - 39).

Impco Converters

Item Number	Part Number	Description
404516	EB-2	325 HP Converter
404509	JB-2	100 HP Converter
404518	LB-2	325 HP Converter



JB-2



LB-2



EB-2



CT425M-2

Impco Dual Fuel Mixers

Item Number	Part Number	Description
404119	CT425M-2	Impco Mixer (Propane Only)

Impco Repair Kits

Item Number	Part Number	Description
404510	F1-10	VFF30-2 Replacement Filter
404514	RK-VFF30-2	VFF30 Series Repair Kit
404511	RK-E-2	Model "E" Converter Kit
404500	RK-J-2	Model "J" Converter Kit
404159	RK-L-2	Model "L" Converter Kit



RK-VFF30-2



F1-10

Mixer Subassemblies

Item Number	Part Number	Description
404144	AD1-28-1	Diaphragm w/Gasket
404120	AV1-16-2	Air Valve Assembly



AD1-28-1



AV1-16-2

Bulkhead Fittings

Item Number	Part Number	Connection	Connection
750486	MET443	3/8" Male Flare	1/4" FNPT (2 Ports)
750487	MET444	3/4"-16 Male / 1/4" FNPT	

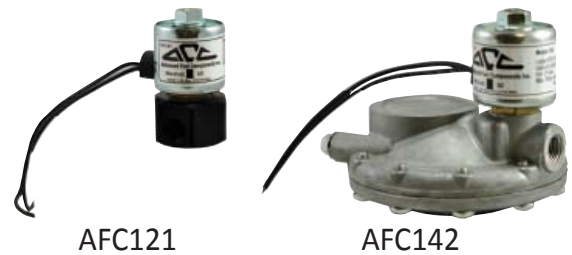


MET444

Carburetion



Fuelocks		
Item Number	Part Number	Description
404508	VFF30-2	Impco Filter/Fuellock 325 HP
703360	AFC121	Straight 12V
703361	AFC142	Filter 12V Lock-Off



VH100



VFF30-2

Hose & Filters		
Item Number	Part Number	Description
754370	VH100	1" Vapor Carb Hose
750804	PF-0532	3/8" Flare X 1/4" FNPT Trap-All
750815	PF-052FM	1/4" FNPT X 1/4" MNPT Trap-All



PF-052FM

Forklift Cylinder Brackets		
Item Number	Part Number	Description
751500	TB-2	Horizontal Bracket — 33# & 43#
751552	TB-67	Vertical Bracket — 33# & 43#
751501	TB2-60	Toggle Assembly



TB-67



TB-2



TB2-60

Carburetion Fitting				
Item Number	Part Number	Inlet	Outlet	Side Port
405108	ME229-EL	1 3/4" F. Acme	1/2" M. Flare	-----
405130	ME8346	5/16" ID	3/8" F. Flare	1/4" FNPT



ME229-EL

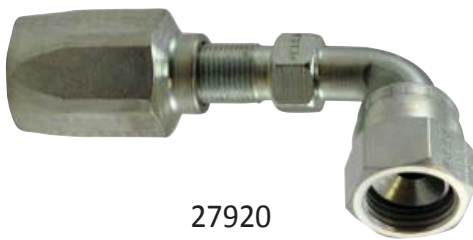
Parker Wire-Braided Hose		
Item Number	Part Number	Hose ID
750556	SS25UL-4	3/16"
750561	SS25UL-6	5/16"
750565	SS25UL-8	13/32"
750566	SS25UL-10	1/2"



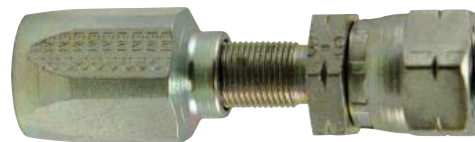
SS25UL

Parker Wire-Braided Hose				
Item Number	Part Number	Hose ID	Connection	Description
750576	20820-4-4	3/16"	1/4"	Female Flare
750580	20820-6-6	5/16"	3/8"	
750589	20820-8-8	13/32"	1/2"	
750591	20820-10-10	1/2"	5/8"	
750584	20820-12-12	3/4"	3/4"	
750593	27920-4-4	3/16"	1/4"	Female Flare 90°
750587	27920-6-6	5/16"	3/8"	
750590	27920-8-8	13/32"	1/2"	
750586	27720-6-6	5/16"	3/8"	Female Flare 45°
750579	20120-4-4	3/16"	1/4"	Male NPT
750582	20120-4-6		3/8"	
750585	20120-6-6		13/32"	
405130	ME8346 *	5/16"	3/8"	Female Flare

* With 1/4" FNPT Side Port.



27920



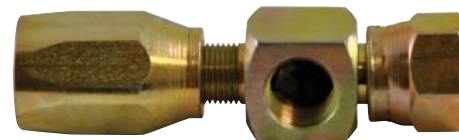
20820



20120



27720



ME8346

Gasket Kit, Gaskets, & O-Rings



MEC Seal Kit		
Item Number	Part Number	Part Description
150628	MEW1	Serviceman's Replacement Seal Kit



MEW1

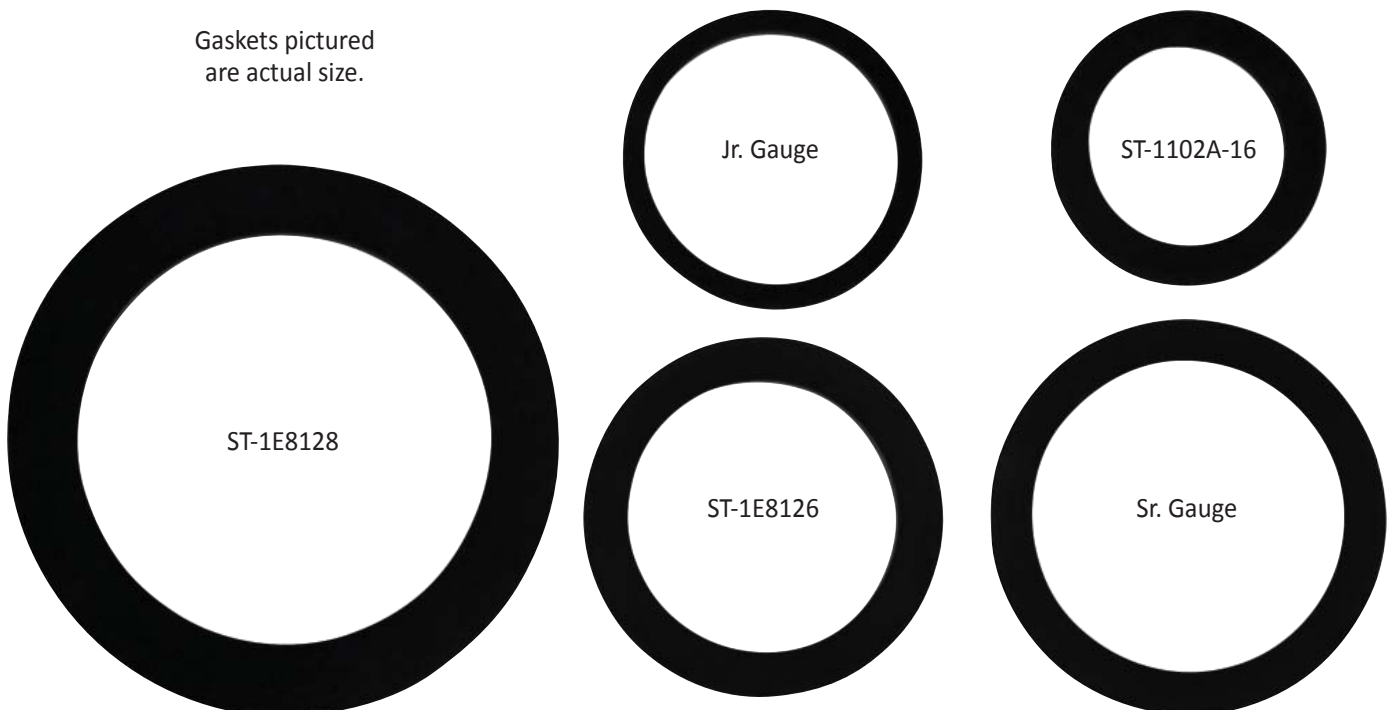


MEW1 Contents

MEW 1 Contents	
Part Description	Quantity.
1 1/4" Acme Gasket (Motor Fuel)	9
1 1/4" Acme Gasket	10
1 3/4" Acme Gasket	10
2 1/4" Acme Gasket	10
3 1/4" Acme Gasket	10
Male Motor Fuel O-Ring	12
POL O-Ring	12

Gaskets & O-Rings							
Item Number	Part Number	Style	Size	Item Number	Part Number	Style	Size
126663	1E8122	Gasket	1 1/4" Acme	129055	T12655	O-Ring	2 1/4" Acme
119337	ST-1102A-16		1 3/4" Acme	127070	ST-1H2917		3 1/4" Acme
126670	ST-1E8126		2 1/4" Acme	130121	Buna-N	Gasket	Jr. Gauge
126673	ST-1E8128		3 1/4" Acme	130122	Buna-N		Sr. Gauge
128169	T10948		4 1/4" Acme	130130	Teflon		Sr. Gauge

Gaskets pictured are actual size.



Squibb-Taylor Valves								
Fits	Repair Kit		Bonnet Assembly		Stem & Disc Assembly		Handle Assembly	
	Item Number	Part Number	Item Number	Part Number	Item Number	Part Number	Item Number	Part Number
AL107	112052	107-22	----	----	----	----	----	----
AL109	112057	109-22	----	----	----	----	----	----
AL111	112065	111-22	----	----	----	----	----	----
113-1000	112064	113-22	----	----	----	----	----	----
AL308 & AL309	119039	308-22	119040	308-25	119041	308-26	----	----
AL310, AL311, A1587, A1590, A1596, A1597, A1598, A1599	119059	310-22	119060	310-25	119061	310-26	----	----
AL312 & AL313	119109	312-22	119110	312-25	119111	312-26	----	----
AL314 & A315	119125	314-22	119126	314-25	119127	314-26	----	----
AL316, AL316F, AL317, & AL317F	119169	316-22	119170	316-25	119171	316-26	----	----
AL320, AL320F, AL321, & AL321F	119217	320-22	119218	320-25	119219	320-26	----	----
AL342, AL343, & AL362	119360	343-22	119335	343-25	119333	342-1700	119359	340-1300
AL344 & AL345, & AL361	119361	344-22	119356	345-25	119221	340-1200		
AL343A & AL362A	119351	363-22	----	----	----	----	----	----
AL407 & AL409	119255	407-21	119257	407-25	119256	407-23	----	----
AL410, AL411, AL412, & AL413	119279	410-21	119281	410-25	119280	410-23	----	----
AL416 & AL417	119289	417-22	119290	417-25	----	----	119291	417-1400
L422, L423, & L424	119464	422-22	----	----	----	----		
L422	----	----	119466	422-1600	119468	422-1300		
L423	----	----	119470	423-1600	119472	423-1300		
L424	----	----	119474	424-1600	119476	424-1300	----	----
L427K & L427KF	111631	427-22	----	----	----	----	----	----
	Item Number		Part Number		Part Description			
L427K	111632		S427-1100		Standard Poppet Kit			
L427KF	111633		S427-1200		Flat Poppet Kit			

Replacement Valve Parts



TriPod Parts							
Part Number	MFG Dates	Ball Socket O-Ring		Body O-Ring		O-Ring Kit	
		Item Number	Part Number	Item Number	Part Number	Item Number	Part Number
TP0	10.93 - Present	119405	P5-135-RO	-----	-----	Special Order	TP0-1305
T55	10.93 - 6.94	119406	P5-086-RO	119412	P5-087-RO	119418	TP1-1304
TP1-1000	10.93 - 5.97	119406	P5-086-RO	119412	P5-087-RO	119418	TP1-1304
TP1-1001	6.97 - 4.01	119406	P5-086-RO	* Factory Rebuild Only - Updates To TP5-1000			
TP5-1000	5.01 - Present	119406	P5-086-RO	119433	P5-086-R1	119430	TP5-0022
T77	10.93 - 6.94	119408	P5-091-RO	119414	P5-090-RO	119420	TP2-1304
TP2-1000	10.93 - 2.98	119408	P5-091-RO	119414	P5-090-RO	119420	TP2-1304
TP2-1001	3.98 - 4.01	119408	P5-091-RO	* Factory Rebuild Only - Updates To TP6-1000			
TP6-1000	5.01 - Present	119408	P5-091-RO	119436	P5-152-RO	119431	TP6-0022
				119437	P5-153-RO		
T126	10.93 - 6.94	119410	TP3-2020	119416	TP3-2023	119422	TP3-1304
TP3-1000	10.93 - 6.94	119410	TP3-2020	119416	TP3-2023	119422	TP3-1304
TP3-1000	12.96 - 9.97	119423	P5-095-R1	119434	P5-094-RO	-----	-----
		119424	P5-096-R1	119435	P5-095-RO		
TP3-1001	4.98 - 4.01	119423	P5-095-R1	* Factory Rebuild Only - Updates To TP7-1000			
		119424	P5-096-R1				
TP7-1000	5.01 - Present	119423	P5-095-R1	119434	P5-094-RO	119432	TP7-0022
		119424	P5-096-R1	119435	P5-095-RO		

TP4 - Factory rebuild only.

Sherwood Valves			
Item Number	Part Number	Fits	Kit Contents
331740	623A-100-KIT	623A	Repair Kit
331695	440-50-KIT	440 Series	Bonnet Assembly
331700	440-50L-KIT	440 L Series	Bonnet Assembly
331530	1855-100-KIT	1855 Series	Repair Kit
331545	1901	3250 Series	Handwheel
331550	1901S	1425, 1426, 1427, 1445, & 1446 Series	Handwheel
331590	2341-100-KIT	2341 Series	Bonnet Assembly
331605	3250-8LH-KIT	3250A, 1425, 1427, 1445, & 1447 Series	Bonnet Assembly
331620	3329-7	3329, 3331, & 2030 Series	Handwheel
331615	3329-13LH-KIT	3329, 3331, 1425C, 1427C, 1447C, & 2030 Series	Bonnet Assembly

Fisher Internal Valves				
Item Number	Part Number	Fits	Repair Kit Contents	
125005	RC208T00012	C208-10	Seat Disc & O-Rings	
125010	RC40016T012	C402-16, C421-16, & C427-16	Discs, Packing, Stub Shaft, O-Rings, Cotter Pin, & Washer	
125015	RC40024T012	C402-24, C421-24, & C427-24		
125020	RC40324T012	C403-24		
128025	RC40424T012	C404-24		
125030	RC40710T012	C407-10	Discs, Packing, & O-Ring	
125012	RC47016T012	C471-16 & C477-16	Discs, Packing, Stub Shaft, O-Rings, Cotter Pin, & Washer	
125017	RC47024T012	C471-24 & C477-24		
125022	RC48324T012	C483-24		
125023	RC48424T012	C484-24		

Fisher Globe & Angle Valves				
Item Number	Part Number	Fits	Sizes	Repair Kit Contents
125050	RN30008T012	N300, N400, N310, & N410	1/2", 3/4", & 1"	Repair Kit Disc, Packing, O-Ring, & Body Gasket
125055	RN30012T012		1 1/4" & 1 1/2"	
125060	RN30016T012		2"	
125065	RN30024T012 *		3"	
125070	RN350T00012	N350 & N450	1/2" & 3/4"	

* May substitute 320-22 (119217).

Fisher Globe & Angle Valves				
Item Number	Part Number	Fits	Sizes	Kit Contents
129064	T12690-T0012	N300, N400, N310, & N410	1/2", 3/4", & 1"	Topworks (Bonnet) Assembly
129291	T20838-T0012		1 1/4" & 1 1/2"	
129284	T20818-T0012		2"	
Special Order	T40259-T0012 *		3"	

* May substitute 320-25 (119218).

Fisher Globe & Angle Valves				
Item Number	Part Number	Fits	Sizes	Kit Contents
129580	T12592-T0012	N300, N400, N310, & N410	1/2", 3/4", & 1"	Stem & Disc Assembly
129871	T13281-T0012		1 1/4" & 1 1/2"	
129869	T13260-T0012		2"	
Special Order	T20461-000A2 *		3"	

* May substitute 320-25 (119218).

Replacement Valve Parts



Fisher Regulators			
Item Number	Part Number	Fits	Repair Kit Contents
129987	R64X0000012	64 Series	Valve Spring, O-Ring, Disc Holder Assy., Valve Stem, Diaphragm Assy., & Vent Screen
Special Order	R64SRT00012	64 SR Series	O-Rings, Disc Holder Assy., & Diaphragm
Special Order	R67X0000012	67, 67G, & 67Y Series	Inner Valve & Stem, Valve Spring, Diaphragm Assy., & Gasket
129858	R98HX0000052	98H-17, 18	Seat Ring, Valve Plug, Gasket, Diaphragm, & Diaphragm Gasket
129855	R98HX0000032	98H-22, 30, & 31	Seat Ring, Valve Plug, Gasket, Diaphragm, O-Rings, O-Ring Retainer, & Machine Screw
129994	R99LX0000022 *	99-50XP/M	Regulator — Pusher Post, Diaphragm, Body Gasket, Disc, Seat Ring, Spring Case Gasket P590 Series Filter — Filter Element & Gasket Pilot — Upper Relay Diaphragm, O-Ring, Relay Orifice, Lower Relay Diaphragm, Relay Disc Assembly, Bleed Valve Spring, Bleed Spring, Bleed Orifice, & Closing Cap Gasket
129991	R99LX0000012 **	99-51XP/M	
129993	R99HX0000022 *	99-901P/M	
129990	R99HX0000012 **	99-903P/M	
129995	R133HX000012	133H-1, 133L-4	Seat Ring, O-Rings, Bearing, Closing Cap Gasket, Diaphragms, Sealing Washer, Guide Bushing, Valve Disc Assy., & Thrust Washer (133H Only)
Special Order	R289HX000022	289H-2 & 4	Diaphragm Assy., Gaskets, & O-Ring
125003	R289HX000012	289H-41 & 42	Diaphragm Assy., Screen, Gaskets, & O-Rings
129992	R620X000A12	620-58	Disc Holder Assy., Body Gasket, Diaphragm, & O-Ring
129909	R620X000A32	620-62, 77, & 78	Disc Holder Assy., Body Gasket, Diaphragm, & O-Ring
127789	R627X000A12	627-5810, 6210, & 7710	Diaphragm Case O-Ring, Disc Holder Assy., Stem O-Ring, Stem Backup Ring, Hair Pin Clip, Diaphragm, Blocked Throat O-Ring, & Blocked Throat Backup Ring
129970	R630X000L22	630-104/78	Diaphragm, Gaskets, & Valve Disc Assembly
125004	RS100X00012	S102L	Diaphragm, Disc Holder Assy., & Gasket
125001	RS201X00012	S202G	Closing Cap Gasket, Diaphragm, Disc Holder Assy., & O-Ring
125002	RS301X00012	S302G	Diaphragm, Diaphragm Pad, Disc Holder Assy., O-Ring, & Closing Cap Gasket
Special Order	R1805X00012	1805-13, 18	Tetraseal O-Ring, O-Ring, & Diaphragm

* 1 1/8" Orifice

** 7/8" Orifice

Fisher Cylinder & Service Valves			
Item Number	Part Number	Fits	Repair Kit Contents
129080	T13184-T0012	B600, C600, & L600 Series	Diaphragm Assembly

RSD6 System Configuration

RSD6-

Base System Includes: RSD6

113523	RSD-R6H	6 - Function Receiver
113565	RSD-6T	6 - Function Transmitter
113526	RSD-SH	Shutdown Harness
113529	RSD-SK-REL	Ignition Relay Kit
113553	B4303S	Antenna
113557	PT830BP	Antenna Cable
113559	VTPM	Plate Mount
113556	LBT 3400	Mounting Bracket
113551	444	Belt Clip

System Arming Options: RSD6-

The RSD receiver should only be powered (armed) when the parking brake is set & the ignition is on.

0	None (If a 12 volt power source is available that meets the above requirements; simply route power direct to RSD receiver).		
X	Normally Closed Pressure Switch (If your truck has air brakes and you want to arm the RSD using the parking brake air pressure).	113533	RSD-SK-PSNC
R	Relay Kit (If your truck has a parking brake dash light, the RSD can be armed with a relay wired across the brake light).	113529	RSD-SK-REL

Tank Valve Actuator: RSD6-

0	None (If using a REGO Flomatic valve or your own air solenoid valve)		
A	Air Actuator Module (For air actuated internal valves)	113524	RSD-SVH
C	Cable Actuator (manual cable operated internal valves)	113531	RSD-BV1H
D	Air Solenoid Valve Only	113550	RSD-Air Valve

Hands On Query: RSD6-

0	None (Query option not wanted)		
H	Query Harness (If relay or switch is already available that will ground the "enable" wire during product transfer and remove the ground when transfer stops)	113527	RSD-SK-QE
R	Query Harness with Relay Kit (If relay is needed to perform the query function)	113527	RSD-SK-QE
		113529	RSD-SK-REL
X	Query Harness With Normally Closed Pressure Switch (For systems with air operated PTO's)	113527	RSD-SK-QE
		113533	RSD-SK-PSNC

RSD6 System Configuration



PTO/Throttle/Auxiliary Harness: RSD6-

0	None		
H	PTO/Throttle/Auxiliary Harness	113528	RSD-H-PTO

PTO Actuation: RSD6-

0	None (No PTO actuation required or using your own air solenoid valve)		
A	Air Actuator Module (For air operated PTO)	113524	RSD-SVH
R	Relay Kit (For some ECM and electric PTO actuators)	113529	RSD-SK-REL
D	Air Solenoid Valve Only	113550	RSD-Air Valve

Throttle Actuation: RSD6-

0	No relays required		
1	1 relay required (Cummins ISB/ISC or GM engine)	113529	RSD-SK-REL
2	2 relays required (CAT3126B engine)	113529	RSD-SK-REL

Auxiliary Relays: RSD6-

0	None:		
1	1 relay required	113529	RSD-SK-REL

Reel Reverser: RSD6-

0	None:		
Z	Reel Reverser: (Unwinds the hose off the reel)	113525	RSD-RUH

RSD2 System Configuration

RSD2-

Base System Includes: RSD2

113522	RSD-R2H	2 - Function Receiver
113555	RSD-2T	2 - Function Transmitter
113526	RSD-SH	Shutdown Harness
113529	RSD-SK-REL	Ignition Relay Kit
113553	B4303S	Antenna
113557	PT830BP	Antenna Cable
113559	VTPM	Plate Mount
113556	LBT 3400	Mounting Bracket
113551	444	Belt Clip

System Arming Options: RSD2-

The RSD receiver should only be powered (armed) when the parking brake is set & the ignition is on.

0	None (If a 12 volt power source is available that meets the above requirements; simply route power direct to RSD receiver).		
X	Normally Closed Pressure Switch (If your truck has air brakes and you want to arm the RSD using the parking brake air pressure).	113533	RSD-SK-PSNC
R	Relay Kit (If your truck has a parking brake dash light, the RSD can be armed with a relay wired across the brake light).	113529	RSD-SK-REL

Tank Valve Actuator: RSD2-

0	None (If using a REGO Flomatic valve or your own air solenoid valve)		
A	Air Actuator Module (For air actuated internal valves)	113524	RSD-SVH
C	Cable Actuator (manual cable operated internal valves)	113531	RSD-BV1H
D	Air Solenoid Valve Only	113550	RSD-Air Valve

Hands On Query: RSD2-

0	None (Query option not wanted)		
H	Query Harness (If relay or switch is already available that will ground the "enable" wire during product transfer and remove the ground when transfer stops)	113527	RSD-SK-QE
R	Query Harness with Relay Kit (If relay is needed to perform the query function)	113527	RSD-SK-QE
		113529	RSD-SK-REL
X	Query Harness With Normally Closed Pressure Switch (For systems with air operated PTO's)	113527	RSD-SK-QE
		113533	RSD-SK-PSNC

Basic Facts

	Propane	Butane
Formula	C ₃ H ₈	C ₄ H ₁₀
Boiling Point. °F	-44	32
Specific Gravity of Gas (Air = 1.00)	1.53	2.00
Specific Gravity of Liquid (Water = 1.00)	0.51	0.58
Weight per Gallon of Gas @ 60°F.	4.23	4.87
BTU per Gallon of Gas @ 60°F.	91,500	102,600
BTU per Pound of Gas	21,560	21,180
BTU per Cubic Foot of Gas @ 60°F.	2,500	3,175
Cubic Feet of Gas/Gal. Liquid @ 60°F.	36.5	31.0
Cubic Feet of Gas/Lb. Liquid @ 60°F.	8.55	6.51

Vapor Pressures

Temperature °F	Approximate Pressure (PSIG)	
	Propane	Butane
-40	1.3	
-30	5.5	
-20	10.7	
-10	16.7	
0	23.5	
10	31.3	
20	40.8	
30	51.6	
40	63.3	3.0
50	77.1	6.9
60	92.5	11.5
70	109.3	16.5
80	128.1	22.0
90	149.3	29.0
100	172.3	37.0
110	197.3	46.0

Pressure & Flow Equivalents

1 Std. Atmosphere	14.73 Lb./Sq. In.	1.014 bar
1" Water Column (wc)	0.58 Oz./Sq. In.	2.49 milibar
11" Water Column	0.4 Lb./Sq. In.	27.39 milibar
1 Lb./Sq. In. (PSIG)	27.71" wc	0.0689 bar
1" Mercury	0.49 PSIG	33.46 milibar
1 Std. Cubic Ft./Hr.	2,900 BTU/Hr.	0.02832 Cu. Meters/Hr.
1 BTU/Hr.	0.2931 Watts	

100 Pound Cylinders

Guide for installing 100 pound cylinders. For continuous draws when temperatures may reach 0° F. Assume the vaporization rate of a 100 pound cylinder is approximately 50,000 BTU per hour.

$$\text{Number of cylinders} = \frac{\text{Total load in BTU}}{50,000}$$

Approximate Vaporization Rate for 100 Pound Cylinder

Lbs. of Propane in Cylinder	Approximate Pressure (PSIG)				
	0° F	20° F	40° F	60° F	70° F
100	113,000	167,000	214,000	277,000	300,000
90	104,000	152,000	200,000	247,000	277,000
80	94,000	137,000	180,000	214,000	236,000
70	83,000	122,000	160,000	199,000	214,000
60	75,000	109,000	140,000	176,000	192,000
50	64,000	94,000	125,000	154,000	167,000
40	55,000	79,000	105,000	131,000	141,000
30	45,000	66,000	85,000	107,000	118,000
20	36,000	51,000	68,000	83,000	92,000
10	28,000	38,000	49,000	60,000	66,000

Guide for determining propane vaporization capacity for ASME storage containers. Where
D = Outside diameter in inches
L = Overall tank length in inches
K = Constant for percent volume of liquid in tank

ASME Storage Containers

Percentage of Container Filled	K Value	* Propane Vaporization Capacity @ 10 °F. (in BTU/Hr.)
60	100	D X L X 100
50	90	D X L X 90
40	80	D X L X 80
30	70	D X L X 70
20	60	D X L X 60
10	45	D X L X 50

* These formulae allow for the temperature of the liquid to refrigerate to -20° F. producing a temperature differential of 20° F. for the transfer of heat from the air to the container's wetted surface & then into the liquid. The vapor space area of the vessel is not considered. Its effect is negligible. To obtain vaporizing capacities for other air temperatures, multiply the results of the above formulae, by one of the following factors for the prevailing air temperature.

Prevailing Air Temperature	Multiplier	Prevailing Air Temperature	Multiplier
-15 °F.	.25	5 °F.	1.25
-10 °F.	.5	10 °F.	1.5
-5 °F.	.75	15 °F.	1.75
0 °F.	1	20 °F.	2

Selection of Pipe and Tubing Size

The proper selection of pipe and tubing sizes is essential for the efficient operation of the LP-Gas appliance. General consideration must be given to the maximum gas demand requirements of the system and the allowable pressure loss from the point of delivery to the inlet connection of the gas appliance. Four different areas of sizing requirements must be addressed.

Directions for Sizing Between First-Stage and Second-Stage Regulators

1. Measure the required length of pipe or tubing from the outlet of the first-stage regulator to the inlet of the second-stage regulator.
2. Determine the maximum gas demand requirements of the system by adding the BTU/H inputs from the nameplates of all the appliances or by referring to Table 1.
3. Select the pipe or tubing required from Tables 2, 3 or 4.

Directions for Sizing Second-Stage Regulators and Appliance

1. Measure the length of pipe or tubing from the outlet of the second-stage regulator to the most remote appliance. (Note: This is the only length needed to size the second-stage system.)
2. For each outlet and section of pipe, determine the specific gas demand requirements by adding the BTU/H inputs from the nameplates of each appliance or by referring to Table 1.
3. Select the pipe or tubing required for each section from Table 5.

Example:

A private home is to be supplied with a propane system serving a central furnace, range and water heater. The gas demand and piping lengths are shown on the sketch below.

For First-Stage:

1. Length of first-stage piping = 25 feet (round up to 30 ft. for use in Table 2, 3 or 4.
2. Total gas demand = 40,000 + 75,000 + 120,000 = 235,000 BTU/H
3. From Tables 2, 3, 4 use 1/2" iron pipe, 3/8" copper tubing or 1/2" plastic tubing. (Assume a 10 psig first-stage regulator setting and a 1 psig pressure drop).

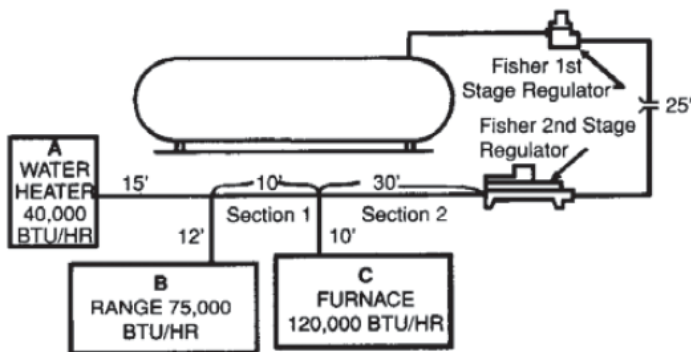
For Second-Stage:

1. Total second-stage piping length = 30 + 10 + 15 = 55 ft. (round up to 60 ft.) for use in Table 5.
2. Gas demand requirements and pipe selection from Table 5 (assume a 11" wc setting and 1/2 psig pressure drop)

For Outlet A, demand = 40,000 BTU/H, use 1/2" iron pipe
 For Outlet B, demand = 75,000 BTU/H, use 1/2" iron pipe
 For Outlet C, demand = 120,000 BTU/H, use 3/4" iron pipe

For Section 1, demand = 40,000 + 75,000 = 115,000 BTU/H, use 3/4" iron pipe.

For Section 2, demand = 40,000 + 75,000 + 120,000 = 235,000 BTU/H, use 1" iron pipe.



Directions for Sizing Between 2 PSI Service Regulator and Line Pressure Regulator

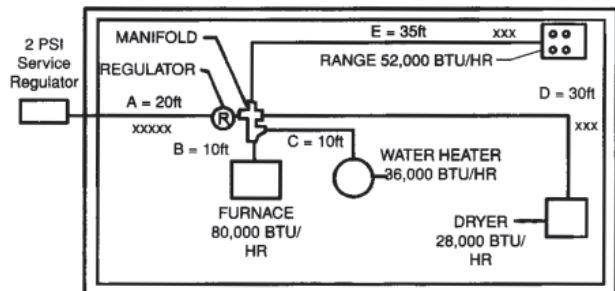
1. Measure the length of CSST tubing from the outlet of the 2 PSI service regulator to the line pressure regulator.
2. Determine the maximum gas demand requirements of the system by adding BTU/H inputs from the nameplates of all the appliances or by referring to Table 1.
3. Use the correct footage column, or next higher column in Table 6.

Directions for Sizing Piping Between Line Pressure Regulator and Appliance

1. Measure the length of CSST tubing from the outlet of the line pressure regulator to each of the appliances.
2. For each outlet and section of CSST tubing, determine the specific gas demand requirements by adding the BTU/H inputs from the nameplates of each appliance or by referring to Table 1.
3. Use the correct footage column, or next high column in Table 7. Select CSST tubing size when capacity in the column exceeds demand.

Example:

Determine the sizes of pipe or tubing required for this in-house LP-Gas installation.



From 2 PSI Service Regulator to Line Regulator:

1. Length of section A tubing = 20 ft.
2. Total gas demand = 80,000 + 36,000 + 28,000 + 52,000 = 196,000 BTU/H
3. From Table 6, use 25 ft. column. Select 3/8" CSST for run A, as it has capacity over 196,000 BTU/H (262,000). (Assume a 2 psig second-stage regulator setting and 1 psig pressure drop).

From Line Pressure Regulator to Each Appliance:

1. For line B, length = 10 ft; gas demand = 80,000 BTU
 For line C, length = 10 ft; gas demand = 36,000 BTU
 For line D, length = 30 ft; gas demand = 28,000 BTU
 For line E length = 35 ft; gas demand = 52,000 BTU
2. CSST Tubing selection from Table 7 (Assume a 11" wc setting and a 0.5" wc pressure drop).

Line	Length FT	Load 1000 BTU/H	CSST Capacity 1000 BTU/H	Select CSST Size
B	10	80	129	1/2
C	10	36	50	3/8
D	30	28	28	3/8
E	35*	52	64	1/2

*Use 40' column in Table 6

Table-1 - Gas Required for Common Appliances

Appliance	Approximate Input BTU/H
Range, Free Standing, Domestic	65,000
Built - In Oven or Boiler Unit, Domestic	25,000
Built-In Top Unit, Domestic	40,000
Water Heater 30 to 40 Gallon Tank	45,000
Water Heater, 50 Gallon Tank	55,000
Water Heater, Instantaneous	
2 GPH	142,800
4 GPH	285,000
6 GPH	428,000
Water Heater, Circulating or Side Arm	35,000
Refrigerator	3,000
Clothes Dryer, Type 1, Domestic	35,000
Gas Light	2,500
Incinerator, Domestic	35,000

Table reprinted from NFPA 54

What you must know to select a regulator:

- 1) Appliance Load
- 2) Pipe Size
- 3) Inlet Pressure
- 4) Outlet Pressure
- 5) Gas Used (Propane/BTU)
- 6) Select from manufacturer catalog

Table 2 - Pipe Sizing Between First-Stage (High Pressure Regulator) & Second-Stage (Low Pressure Regulator)

Maximum undiluted propane capacities based on 10 psig first stage setting and 1 psig pressure drop. Capacities in 1000 BTU/H
Schedule 40 Iron Pipe

Length of Pipe or Tubing, Feet	1/2" (.622)	3/4" (.824)	1" (1.049)	1 1/4" (1.38)	1 1/2" (1.61)	2" (2.067)	3" (3.068)
30	1,834	3,835	7,225	14,834	22,225	42,804	120,604
40	1,570	3,283	6,184	12,696	19,022	36,634	103,222
50	1,391	2,909	5,480	11,252	16,859	32,468	91,484
60	1,261	2,636	4,966	10,195	15,275	29,419	82,891
70	1,160	2,425	4,568	9,379	14,053	27,065	76,258
80	1,079	2,256	4,250	8,726	13,074	25,179	70,944
90	1,012	2,117	3,988	8,187	12,267	23,624	66,564
100	956	2,000	3,767	7,733	11,587	22,315	62,876
150	768	1,606	3,025	6,210	9,305	17,920	50,492
200	657	1,374	2,589	5,315	7,964	15,337	43,214
250	582	1,218	2,294	4,711	7,058	13,593	38,300
300	528	1,104	2,079	4,268	6,395	12,316	34,703
350	486	1,015	1,913	3,927	5,883	11,331	31,926
400	452	945	1,779	3,653	5,473	10,541	29,701
450	424	886	1,669	3,428	5,135	9,890	27,867
500	400	837	1,577	3,238	4,851	9,342	26,323
600	363	759	1,429	2,934	4,395	8,465	23,851
700	334	698	1,314	2,699	4,044	7,788	21,943
800	310	649	1,223	2,551	3,762	7,245	20,413
900	291	609	1,147	2,356	3,530	6,798	19,153
1,000	275	575	1,084	2,225	3,334	6,421	18,092
1,500	221	462	870	1,787	2,677	5,156	14,528
2,000	189	395	745	1,529	2,291	4,413	12,435

Table 3 - Piping Sizing Between Second -Stage Regulator and Appliance

Maximum undiluted propane capacities listed are based on 11" wc. Capacities in 1,000 BTU/H

Run of Pipe or Tubing, Feet	Schedule 40 Iron Pipe									Copper Tubing - Type L				
	1/2" (.622)	3/4" (.824)	1" (1.049)	1 1/4" (1.38)	1 1/2" (1.61)	2" (2.067)	3" (3.068)	3 1/2" (3.548)	4" (4.026)	1/4" (.375)	3/8" (.500)	1/2" (.625)	5/8" (.750)	3/4" (.875)
10	291	608	1,145	2,352	3,523	6,786	19,119	27993	39018	49	110	206	348	536
20	200	418	787	1,616	2,422	4,664	13,141	19240	26802	34	76	141	239	368
30	160	336	632	1,298	1,945	3,745	10,552	15450	21523	27	61	114	192	296
40	137	287	541	1,111	1,664	3,205	9,031	13223	18421	23	52	97	164	253
50	122	255	480	984	1,475	2,841	8,004	11,720	16326	20	86	146	224	224
60	110	231	434	892	1,337	2,574	7,253	10619	14793	19	42	78	132	203
80	94	197	372	763	1,144	2,203	6,207	9088	12661	16	36	67	113	174
100	84	175	330	677	1,014	1,952	5,501	8055	11221	14	32	59	100	154
125	74	155	292	600	899	1,730	4,876	7139	9945	12	28	52	89	137
150	67	140	265	543	814	1,568	4,418	6468	9011	11	26	48	80	124
200	58	120	227	465	697	1,342	3,781	5536	7712	10	22	41	69	106
250	51	107	201	412	618	1,189	3,351	4906	6835	9	19	36	61	94
300	46	97	182	373	560	1,078	3,036	4446	6193	8	18	33	55	85
350	42	89	167	344	515	991	2,793	4090	5698	7	16	30	51	78
400	40	83	156	320	479	922	2,599	3805	5301	7	15	28	47	73

Reprinted Tables 12.24, 10.26, & 10.28 in NFPA 54

Table 4 - Pipe Sizing Between First-Stage & Second-Stage Regulators

Maximum undiluted propane capacities based on 10 psig first stage setting and 1 psig pressure drop. Capacities in 1000 BTU/H

Tube Length, Feet	Refrigeration Tubing					Copper Tubing Type L				
	3/8" (.375)	1/2" (.500)	5/8" (.265)	3/4" (.750)	7/8" (.875)	1/4" (.375)	3/8" (.500)	1/2" (.625)	5/8" (.750)	3/4" (.875)
30	299	726	1367	2329	3394	309	700	1303	2205	3394
40	256	624	1170	1993	2904	265	599	1115	1887	2904
50	227	551	1037	1766	2574	235	531	988	1672	2574
60	206	499	939	1600	2332	213	481	896	1515	2332
70	189	459	864	1472	2146	196	443	824	1394	2146
80	176	427	804	1370	1996	182	412	767	1297	1996
90	165	401	754	1285	1873	171	386	719	1217	1873
100	156	378	713	1214	1769	161	365	679	1149	1769
150	125	304	572	975	1421	130	293	546	923	1421
200	107	260	490	834	1216	111	251	467	790	1216
250	95	230	434	739	1078	90	222	414	700	1078
300	86	209	393	670	976	89	201	375	634	976
350	79	192	362	616	898	82	185	345	584	898
400	74	179	337	573	836	76	172	321	543	836
450	69	168	316	538	784	71	162	301	509	784
500	65	158	298	508	741	68	153	284	481	741
600	59	144	270	460	671	61	138	258	436	671
700	54	132	249	424	617	56	127	237	401	617
800	51	123	231	394	574	52	118	221	373	574
900	48	115	217	370	539	49	111	207	350	539
1,000	45	109	205	349	509	46	105	195	331	509
1,500	36	87	165	281	409	37	84	157	266	409
2,000	31	75	141	240	350	32	72	134	227	350

To convert to capacities at 5 psig with 10 percent (5 psig) pressure, multiply values by .606.

To convert to capacities at 15 psig with 10 percent (5 psig) pressure, multiply values by 1.38.

Reprinted from NFPA 54.

Table 5 - Polyethylene Plastic Tube Sizing Between First-Stage and Second-Stage Regulators

Maximum undiluted propane capacities based on 10 psig first stage setting and 1 psig pressure drop. Capacities in 1000 BTU/H

Plastic Tubing Length, Feet	Plastic Tubing Size (CTS) (Dimensions in Parentheses are Inside Diameter)				
	1/2" CTS - SDR 7.0 (.455)	1" CTS - SDR 11.0 (.927)	1/2" IPS - SDR 9.33 (.66)	3/4" IPS - SDR 11.0 (.86)	1" IPS - SDR 11.0 (1.077)
30	762	5225	2143	4292	7744
40	653	4472	1853	3673	6628
50	578	3964	1626	3256	5874
60	524	3591	1473	2950	5322
70	482	3304	1355	2714	4896
80	448	3074	1261	2525	4555
90	421	2884	1183	2365	4274
100	397	2724	1117	2238	4037
125	352	2414	990	1983	3578
150	319	2188	897	1797	3242
175	294	2013	862	1653	2983
200	273	1872	678	1539	2775
225	256	1757	721	1443	2603
250	242	1659	681	1363	2459
275	230	1576	646	1294	2336
300	219	1503	617	1235	2228
350	202	1383	567	1136	2050
400	188	1287	528	1057	1907
450	176	1207	495	992	1789
500	166	1140	468	937	1690
600	151	1033	424	849	1531
700	139	951	390	781	1409
800	129	884	363	726	1311
900	121	830	340	682	1230
1000	114	784	322	644	1162
1500	92	629	258	517	933
2000	79	539	221	443	798

Reprinted Tables 12.24, 10.26, & 10.28 in NFPA 54

Table 6 - Maximum Capacity of CSST*

In thousands of BTU per hour of undiluted LP-Gases at a pressure of 2 psig and a pressure drop of 1 psig. (Based on a 1.52 specific gravity gas)

CSST Tube Size	EHD ** Flow Designation	Tubing Length - Feet													
		10	25	30	40	50	70	80	100	150	200	250	300	400	500
3/8"	13	426	262	238	203	181	146	140	124	101	86	77	69	60	53
---	15	558	347	316	271	243	196	189	169	137	118	105	96	82	72
1/2"	18	927	591	540	469	420	344	333	298	245	213	191	173	151	135
---	19	1106	701	640	554	496	406	393	350	287	248	222	203	175	158
3/4"	23	1735	1120	1027	896	806	665	643	578	477	415	373	343	298	268
---	25	2168	1384	1266	1100	986	809	768	703	575	501	448	411	355	319
---	30	4097	2560	2331	2012	1794	1457	1410	1256	1021	880	785	716	616	550
1"	31	4720	2954	2692	2323	2072	1685	1629	1454	1182	1019	910	829	716	638

Table does not include effect of pressure drop across the line regulator. If regulator loss exceeds 1/2 psig (based on 13" outlet pressure). DO NOT USE THIS TABLE. Consult with regulator manufacturer for pressure drops and capacity factors. Pressure drops across a regulator may vary with flow rate. Caution: Capacities shown in table may exceed maximum capacity for a selected regulator. Consult with regulator or tubing manufacturer for guidance.

*Table includes losses for four 90-degree bends and two end fittings. Tubing runs with larger numbers of bends and /or fittings shall be increased by an equivalent length of tubing to the following equation: $L = 1.3n$ where L is the additional length (feet) of tubing and n is the number of additional fittings and /or bends.

**EHD - Equivalent Hydraulic Diameter - A measure of the relative hydraulic efficiency between tubing sizes. The greater the value of EHD, the greater the gas capacity of the tubing.

Reprinted from table 10-30 NFPA 54

Table 7 - Maximum Capacity of CSST*

In thousands of BTU per hour of undiluted LP -Gases at a pressure of 2 psig and a pressure drop of 1 psig. (Based on a 1.52 specific gravity gas)

CSST Tube Size	EHD ** Flow Designation	Tubing Length - Feet															200	250	300
		5	10	15	20	25	30	40	50	60	70	80	90	100	150				
3/8"	13	72	50	39	34	30	28	23	20	19	17	15	15	14	11	9	8	8	
---	14	99	69	55	49	42	39	33	30	26	25	23	22	20	15	14	12	11	
1/2"	18	181	129	104	91	82	74	64	58	53	49	45	44	41	31	28	25	23	
---	19	211	150	121	106	94	87	74	66	60	57	52	50	47	36	33	30	26	
3/4"	23	355	254	208	183	164	151	131	118	107	99	91	90	85	66	60	53	50	
---	25	426	303	248	216	192	177	153	137	126	117	109	102	98	75	69	61	57	
---	30	744	521	422	365	325	297	256	227	207	191	178	169	159	123	112	99	90	
1"	31	863	605	490	425	379	344	297	265	241	222	208	197	186	143	129	117	107	

*Table includes losses for four 90-degree bends and two end fittings. Tubing runs with larger numbers of bends and /or fittings shall be increased by an equivalent length of tubing to the following equation: $L = 1.3n$ where L is the additional length (feet) of tubing and n is the number of additional fittings and /or bends.

**EHD - Equivalent Hydraulic Diameter - A measure of the relative hydraulic efficiency between tubing sizes. The greater the value of EHD, the greater the gas capacity of the tubing.

Reprinted from table 10-30 NFPA 54

• 3/4" Threaded Lp Gauges	58
• 1" Threaded Lp Gauges	59
• 1"-20 w/Hose Barb (Disposable Cylinder)	101
• 1 1/4" Threaded Lp Gauges	60
• 2-Bolt Clamp Hose Couplings	100
A	
• Acme Caps	92
• Acme Gaskets & O-Rings	272
• Acme Strainer Screens	87
• Acme Spanner Wrench	230
• Actuator Accessories	210
• Actuators - Internal Valves	209
• Actuators - ESV Valves	214
• Actuators - Cable Release	211
• Algas Direct Fired Vaporizer	184
• Algas Direct Fired Vaporizer Breakdown	185-186
• Algas Second Sun Tank Heater	187
• Algas Torrex Vaporizer	188
• Algas Zimmer Vaporizer	187
• Allegheny	214
• Alternate Energy Vaporizer Parts	189
• Anderson Forrester Orifices	263-268
• Angle Valves	196-197
• Anti-Seize	242
• Anodes	128
• Anode Testing Equipment	128
• Apollo Ball Valves	198
• Appliance - Flex Connectors	117-118
• Appliance - Orifice	263-268
• Appliance - Valve - See Valve	
• ASME - External Relief Valve	51
• ASME - Fill Valve	47
• ASME - Gauge-Tank - See Gauge	
• ASME - Internal Relief Valve	48
• ASME - Multi-Valve	52
• ASME - Pressure Gauge - See Pressure Gauge	
• ASME - Service Valve	44, 50
• Autogas - Dispenser Cabinet	192
• Autogas - Dispenser Valves	199-202
• Autogas - Pumps	133
B	
• Back Check Valves	221-222
• Baldor Electric Motors	150
• Ball Valves - See Valves	
• Band-It® Hose Clamps	102
• Band-It® Tool	102
• Bent Copper Pigtails	19
• Black Bell Reducers - Schedule 40	114
• Black Fittings - Schedule 40	114
• Black Hex Bushings - Schedule 40	114
• Black Nipple Kits - Schedule 40	113
• Black Square Head Plugs - Schedule 40	114
• Black Unions - Schedule 40	114
• Black Welded Nipples - Schedule 40	113
• Blackmer Bypass	153
• Blackmer Pumps	150

• Blackmer Repair Kits	151
• Boss Clamp Hose Ends	100
• Bot-L-Wrench Tools	35
• Brass Acme Adaptor Caps	88
• Brass Ball Valve 5 PSIG or Less	111
• Brass Ball Valve 600 PSIG	112
• Brass Ball Valve w/Dielectric Union	128
• Brass Excess Flow Valves	220
• Brass Female Acme Caps	92
• Brass Female Acme Filler Couplings	90
• Brass Female Acme Vapor Couplings	91
• Brass Female Elbows	109
• Brass Female Half Unions	108
• Brass Flare Bonnets	110
• Brass Flare Caps	107
• Brass Flare Crosses	109
• Brass Flare Elbows	109
• Brass Flare Plugs	110
• Brass Flare Tees	107
• Brass Flare Union	108
• Brass Forged Flare Nuts	107
• Brass Hex Pipe Nipples	110
• Brass Hose Nipples High Pressure	103
• Brass Hose Nipples Low Pressure	103
• Brass Male Acme X FNPT Adaptors	87
• Brass Male Acme X Male Acme Adaptors	88
• Brass Male Acme X MNPT Adaptors	88
• Brass Male Elbows	109
• Bleed Valves	40
• Brass Male Half Unions	108
• Brass Pipe Tees	110
• Brass Reducing Flare Nuts	107
• Brass Reducing Flare Tees	107
• Brass Reducing Flare Union	108
• Brass Short Flare Nuts	107
• Brass Swivel Connectors	110
• Breakaway - Forklift - Autogas	223
• Breakout - Anti-Seize	242
• Bulkhead Fittings - Autogas - Motor Fuel	269
• Bulkheads	224
• Burnaby Gas SS Outlet Boxes	125
• Bypass - Blackmer	153
• Bypass - Corken	152
• Bypass - Fisher	154
• Bypass - MEC	155
C	
• Camping Elbows & Adaptors	260
• Camping Fittings	261
• Camping Tees	259
• Caps & Collars - Cylinders	36
• Carburetion - See Impco	
• Carburetion Fittings	270
• Carburetion Hose & Filters	270-271
• Chain - Acme	93
• Chain Reference Chart	93
• Compact High Pressure Regulators	30

• Compact High Pressure Regulators - Fisher	9
• Container Thermometers	222
• Continental Poly Fittings	119-121
• Continental Poly Risers	121
• Copper Pigtails	20
• Copper Tubing	106
• Corken Autogas Breakdown	134
• Corken Autogas Pumps	133
• Corken Bypass	152
• Corken Compressor Parts	149
• Corken Compressors	147-148
• Corken Coro-Flo Breakdown	132
• Corken Coro-Flo Pumps	131
• Corken Coro-Vane Breakdown	137-141
• Corken Coro-Vane Pumps	135
• Corken Coro-Vane Repair Kits	142-143
• Corken Side Channel Pumps	144
• Corken Z-Series Breakdown	145-146
• Corken Z-Series Pumps	144
• Cylinder Filling Valve - N201	35
• Cylinder Racks	34
• Cylinder Valve Tools	35
• Cylinders	33-34
• Cylinders - Caps & Collars	36
D	
• Decals	244-248
• Detecto Tape	118
• Dial Installation	83-84
• Dial Ordering Information	81-82
• Dials - See LP Dials	
• Diaphragm Relief Valves	19
• Dielectric Unions	128
• Dielectric Union Valve	128
• Direct Fired Vaporizer - See Algas	
• Dispenser Cabinet	192
• Dormont Flex Connectors	117-118
• Dwyer Manometers	28
E	
• Electric Motors	150
• Electric Vaporizer - See Algas	
• EMT Tubing & Fitting - For Relief Valves	216
• Excess Flow Valves	219-220
• Extra Heavy Swage Nipples	115
• Extra Heavy Welded Nipples	115
F	
• Fairbanks Portable Beam Scale	35
• Fill Valve - ASME	47
• Fill Valve - Bulk Storage	228
• Fill Valve - Forklift	43
• Fill Valve - Motor Fuel	43
• Fill Valve Adaptor	46
• Filler Couplings	200
• Filler Valve Parts & Accessory	47
• Filler Valves	47
• Filter - Trapall	210, 270
• Fisher 1 1/4" Internal Valve	203

• Fisher 2" Threaded Internal Valve	204
• Fisher 2-PSI Service Regulators	5
• Fisher 3" Flanged Internal Valve	206-207
• Fisher 3" Threaded Internal Valve	205
• Fisher 4" Flanged Internal Valve	208
• Fisher Appliance Regulators	21
• Fisher Automatic Changeover Regulators	8
• Fisher Back Check Valves	221
• Fisher Bypass	154
• Fisher Changeover Manifold Regulators	8
• Fisher External Relief Valve Accessories	51
• Fisher External Relief Valves	51
• Fisher First-Stage Regulators	5
• Fisher Globe & Angle Valves	197
• Fisher High Pressure Regulators	9
• Fisher Hose End Valve	201
• Fisher Integral 2-PSI Regulators	7
• Fisher Integral Two-Stage Regulators	7
• Fisher Internal Relief Valves	215
• Fisher Internal Valve Cable Latches	211
• Fisher Large Relief Valves	215
• Fisher M570	201
• Fisher M570 Parts	201
• Fisher Mounting Brackets For Regulators	21
• Fisher Relief Valve Accessories	215
• Fisher Remote Indicator	8
• Fisher Second-Stage Regulators	6
• Fisher Vent Assemblies	23
• Fisher Vent Protector	21
• Fitting Adaptors - Pressure Gauge	212
• Flaring Tools	106
• Flex - Stainless Steel	229
• Flex Vent Regulator Vent Kit	23
• Flow Indicator	69
• Flow-Longer & Stay-Longer Kits	258
• Forged Steel Fittings	116
• Forged Steel Hex Bushings	116
• Forged Steel Hex Head Plugs	116
• Forged Steel Unions	116
• Forklift Adaptors	39
• Forklift Connectors	39
• Forklift Cylinder Brackets	36
• Forklift Liquid Level Valves - Bleed Valves	40
• Forklift Parts	39
• Forklift Relief Valve Parts	37
• Forklift Relief Valves	37
• Forklift Service Valve Parts	38
• Forklift Service Valves	38
• Free All - Penetrating Oil	242
• Fuellocks	270
G	
• Gas Match	242
• Gasket Kit	272
• Gaskets & O-Rings	272
• Gasoil - Pipe Joint Compound	243
• Gastite FlashShield Fittings & CSST	126-127

• Gastite FS Outlet Box	127
• Gastite Manifolds & Bracket	124
• Gastite Modular Stub System	124
• Gastite Regulators	125
• Gastite Steel Conduit	122
• Gastite Striker Plates	122
• Gastite Tubing Cutter	122
• Gastite XR2 Fittings & CSST	122-123
• Gastite XR2 Outlet Box	125
• Gauge - Cylinder	61
• Gauge - Forklift	62
• Gauge - Junior Head	54-55
• Gauge - Liquid Filled	24, 190
• Gauge - Motor Fuel	56
• Gauge - Pressure	24, 190
• Gauge - Senior Head	57
• Gauge - Threaded	58-60
• Gauge Ordering Information	72
• Gauge Reference Information	73
• Gauge Snubber	24, 190
• Gauging Drills & Kit	268
• Globe Valves	195, 197
• Gloves	241
• Goodall Hose	98
• Graphite Grease	262
H	
• Hannay Hose Reel Parts	231-232
• Hannay Parts Breakdown	233-238
• Hannay Single Hose Reels	231
• Hi-Ball Hose End System	199
• Hi-Flow Liquid Withdrawal Valves	191
• High Pressure Fisher Regulators (627 & 630)	10
• High Pressure Gas Connections	101
• High Pressure Test Equipment	28
• Hose - Bobtail	98
• Hose - High Pressure	98
• Hose - Liquid	98
• Hose - Low Pressure Vapor	97
• Hose - Protective Wrap	98, 103
• Hose Buddy	103
• Hose End Check Adaptors	201
• Hose End Valve Holster	202
• Hose End Valves	199-202
• Hydrostatic Relief Valves	51
I	
• Impco Converters/Vaporizer	269
• Impco Dual Fuel Mixers	269
• Impco Repair Kits	269
• In-Line Sight Flow - Liquid	228
• Internal Relief Valve Accessories	48
• Internal Relief Valves	48
• Internal Valve - Air Actuators	209
• Internal Valves - Fisher	203-208
• Internal Valves - MEC	202
J	
• JC-30 - Pipe Joint Compound (John Crane)	243

• Jomar Brass Ball Valves	198
• Jomar Domestic Ball Valves	112
• Jomar Stainless Steel Ball Valves	198
• Junior Above Ground LP Gauges	54
• Junior Below Ground LP Gauges	55
• Junior Motorfuel LP Gauges	56
K	
• Krug Compressor & Hand Pump	193
L	
• Large Fisher Filler Valves	228
• Leak Detector - Tola Liquid	242
• Leak Test Equipment	27-28
• Lift Truck LP Gauges	62
• Lighters	242
• Liqua-Tech LPM-102 Breakdown	157-160
• Liqua-Tech LPM-200 Breakdown	161-167
• Liqua-Tech Meters	156
• Liquid Level Vent Valves - Storage	222
• Liquid Service Relief Valves	19
• Liquid Transfer Valves	46
• Liquid Withdrawal Adaptors	45
• Liquid Withdrawal Parts	46
• Liquid Withdrawal Valves	45
• Loading Arms	224
Low Emission Bobtail System - See Hi-Ball	
• Low Emission Hose End Valves	199
• Low Pressure Fisher Regulators	12
• Low Pressure Single Stage Regulators	30
• Low Pressure Test Equipment	27
• LP Dials for Above Ground & Motor Fuel	74
• LP Dials for Glue-On, Visible"4", & RoadMaster	78
• LP Dials for Lift Truck & Vertical	76
• LP Dials for Master	80
• LP Dials for Motor Fuel & Lift Truck	75
• LP Dials for RoadMaster & Master	79
• LP Dials for Vertical, Below Ground, & Glue-On	77
• LP-Gas Dispenser TriPod Kits	224
M	
• Manchester Torch	249
• Manometers	28
• Master Gauges	65-66
• MEC 3" Flanged Internal Valve	202
• MEC Breakaway Couplings	223
• MEC Bypass	155
• MEC Flanged Full Internal Relief Valve	217
• MEC Full Internal Relief Valve	217
• MEC Globe Valves	198
• MEC Low Emission Hose End Valves	202
• MEC Quad-Port Relief Valve Manifold	218
• MEC Relief Valve Accessories	217
• MEC Rubber Pigtails	257
• Metal Acme Plugs	93
• Meters	156-183
• Methanol Injector	44
• Mill Wrap	118
• Mixer Subassemblies - Carburetion	269

• Monitor - Tank	71
• Monitor Systems - Regulators	17-18
• Motor - Electric	150
• Motor - Hannay	232
• Motor Fuel - Hose	271
• Motor Fuel - Hose Ends	271
• Motor Fuel Filler Valve Accessories	43
• Motor Fuel Filler Valves	43
• Motor Fuel Liquid Service Valves	42
• Motor Fuel Relief Valves	41
• Motor Fuel Service Valve Accessories	42
• Mr. Heater Buddy® Heaters	254
• Mr. Heater Convection Heaters	255
• Mr. Heater Cordless Forced Air Heaters	253
• Mr. Heater Forced Air Heaters	253
• Mr. Heater Gas Mate Connectors	256
• Mr. Heater Hose Assemblies	257
• Mr. Heater Infrared Tube Heaters	255
• Mr. Heater Portable Radiant Heaters	255
• Mr. Heater Radiant Garage Heaters	253
• Mr. Heater Tank Top Heaters	254
• Mr. Heater Tank Top Parts	256
• Mr. Heater Universal Fuel Filter	254
• Multi-Purpose Valve Accessories	52
• Multi-Purpose Valves	52
• Multi-Service Valve Tool	52
• Multi Head Service Valves	52
N	
• N201 Cylinder Fill Kit	35
• N550 Accessories	214
• N550 Emergency Shutoff Valves	213
• Neptune 1" Breakdown	169-171
• Neptune 1 1/4" & 1 1/2" Breakdown	172-177
• Neptune 2" Breakdown	178-183
• Neptune Meters	168
O	
• OPD Valve - Tools	35
• OPD Valves	32
• Orifice Adaptor & Kit - Inserts	268
• Orifices - Baso Pilot	265
• Orifices - General Control Pilot	265
• Orifices - Minneapolis-Honeywell Pilot	266
• Orifices - Plug & Cap	263-264
• Orifices - Robertshaw Pilot	265-266
• Orifices - White-Rodgers Pilot	266
• Orifices - Serviceman's Kits	267
• Orifices - Gauging Drills	268
• O-Rings - Acme Adaptors	272
• O-Rings - Serviceman's Kit	272
P	
• Pigtails - Brass	20
• Pigtails - Hose	257
• Pilot Operated Fisher Regulators (99)	11
• Pilot Orifices - See Orifice	
• Pipe Dope	243
• Pipeaway Adaptor - Storage	216

• Pipeaway Adaptor - Motor Fuel	41
• Piping - Gastite - See Gastite	
• Piping - Poly - See Poly Pipe	
• Piping - Steel - Black Fittings	114
• Piping - Steel - Black Nipples	113
• Piping - Steel - Schedule 80 Nipples	115
• Piping - Steel - Forged Steel Fittings	116
• Plastic Acme Caps	92
• Plastic Acme Plugs	93
• PLS-2 - Pipe Joint Compound	243
• Pneumatic Accessories	212
• POL Adaptors	25-26
• POL Adaptors	94
• POL Filler Couplings	94
• POL Plugs, Caps, & Tool	25
• POL w/Hose Barb	101
• Poly Pipe	119
• Poly Pipe Accessories	118
• Poly Pipe Fittings	119-121
• PowerTorq Rotary Actuators	210
• PR4 Passive Hose Shutdown	227
• Pressure Gauges	24, 190
• Pressure Gauges & Gauge Snubber	239
• Propane Burner Accessories	249
• Propane Burner Head	249
• Pro-Tec-To-Wrap	98
• Pump - Blackmer	150
• Pump - Blackmer Parts	151
• Pump - Corken	131-146
• Pump - Corken Parts	142-143
• Pump - Krug	193
Q	
• QCC Adaptors	95
• QCC Connectors	95
• QCC Evacuation Fitting	95
• QCC Filler Couplings	95
• QCC Valve Caps	36
• QCC w/ Hose Barb	101
• Quick Acting Hose End Valves	200
• Quick Acting Valve Repair Kits	41
• Quick Acting Valves	41
• Quick Disconnects	256
• Quick Jaw Hose End Valves	199
R	
• R.V. Changeover Regulators	29
• R.V. Low Pressure Two Stage Regulators	29
• R6315-12 Liquid Level Transmitter	80
• Reamers - Orifice	268
• Rectorseal - Pipe Joint Compound	243
• Red Dragon Liquid Torch Kit	251
• Red Dragon Roofing Torch Kits	251
• Red Dragon Torch Accessories	252
• Red Dragon Torch Only	252
• Red Dragon Vapor Hand Torch Kit	250
• Red Dragon Vapor Jet Torch Kits	251
• Red Dragon Vapor Torch Kits	250

• Regulator - Commercial First Stage	9-12
• Regulator - Commercial Second Stage	12-13
• Regulator - First Stage	5
• Regulator - High Pressure	9-11
• Regulator - Integral	7
• Regulator - Integral 2-PSI	7
• Regulator - Liquid	9
• Regulator - Second Stage	6
• Regulator - Second Stage 2-PSI	5
• Regulator Plug, Adaptor, & Filter Assy	21
• Relief Valve - Bulk Storage	215,217
• Relief Valve - Domestic Tank	48
• Relief Valve - Forklift	37
• Relief Valve - Hydrostatic	51
• Relief Valve - Motor Fuel	41
• Relief Valve Rain Cap	216
• Remote Liquid Level Valves	40
• Remote Shutdown System	225-226
• Retro Q Adaptor	95
• Reusable Hose Couplings	100
• Rings & Chains	93
• Riser - Poly Flexible/Rigid	121
• RoadMaster Mobile Gauge	63-64
• Rotary Actuators	210
• Rotary Gauges	68
• Rotary Meters	129
• RotaSeal Hose Swivel	200
S	
• Safe-T-Locks	94
• Scale - Beam	35
• Schrader Valve	27
• Senior Above Ground LP Gauges	57
• Service Valve - ASME	52
• Service Valve - Cylinder	49
• Service Valve - DOT	50
• Service Valve - Forklift	38
• Service Valve - Motor Fuel	42
• Service Valve - Tools	52
• Service Valve - Vapor	44
• Serviceman's Friend	267
• Serviceman's Kits - Orifices	267
• Sherwood Liquid Withdrawal Valve	49
• Sherwood Multi-Purpose Valve Parts	49
• Sherwood Multi-Purpose Valves	49
• Slack Tube Manometer	28
• Space Heater Valves	262
• Spanner Wrench	230
• Squibb Taylor Angle Valves	196
• Squibb Taylor Globe Valves	195
• SS Flex Connectors	229
• Static Strap	229
• Stationary Tank Monitor	71
• Steel Acme Adaptor Caps	89
• Steel Back Check Valves	222
• Steel Excess Flow Valves	219
• Steel Female Acme Caps	92

• Steel Female Acme Vapor Couplings	91
• Steel Filler Couplings	90
• Steel Hose Nipples	102
• Steel Male Acme X FNPT Adaptors	89
• Steel Male Acme X Male Acme Adaptors	89
• Steel Male Acme X MNPT Adaptors	89
• Stickers	244-248
• Storage Gauge	65-66
• Storage Gauge - Dials	79-80
• Storage Gauge - Rotary	68
• Strainers-Y	191,229
• Swivel Hose Unions - Pipe	100
T	
• Tank Foot - Cylinder	36
• Tank Gauge- Stick On	36
• Tee Blocks	22
• Tee Checks	22
• Teflon Tape	243
• Test Equipment	27-28
• The Eliminator - Rotary Replacement	67
• Thermocouple	262
• Tola - Leak Detector Fluid	242
• Toolbox	230
• Torches - Manchester	249
• Torches - Red Dragon	250-252
• Tracer Wire	118
• Transfer Valve	46
• Trapall Filter	210,270
• TriPin Loading Arm	224
• TriPod Accessories	223
• TriPod Safety Couplers	223
• Tube Bender - Copper	106
• Tube Cutters - Copper	106
• Tubing - Air (Internal & ESV Valve Actuators)	212
• Tubing - Copper - See Copper	
• Tubing - Gastite - See Gastite	
• Tubing - Poly - See Poly Pipe	
• Tubing Push Connectors - Pnuematic	212
• Tub-O Towels - Hand Wipes	242

V	
• Valve - Angle	196-197
• Valve - Appliance	111-112
• Valve - ASME Tank	52
• Valve - Ball - Brass Body	198
• Valve - Ball - SS Steel Body	198
• Valve - Ball - Steel Body	198
• Valve - DOT Tank	50
• Valve - Forklift	38
• Valve - Globe	195, 197
• Valve - Liquid Withdrawal	45, 191
• Valve - Motor Fuel	42
• Valve - Service - See Service Valve	
• Valve Locks	244
• Valve Wrenches	35
• Vapor Hose	97
• Vapor Hose Assemblies	97
• Vapor Meters	129
• Vapor Return Valve	40
• Vapor Service Connectors	39
• Vapor Service Valves	44
• Vapor Service Valves Parts	44
• Vapor Valve	50
• Vapor Valve Repair Kits	50
• Vapor Withdrawal Valve Parts	45
• Vapor Withdrawal Valves	45
• Vaporizer - See Algas	
• Vaporizer - See Impco	
• Vertical Cylinder LP Gauges	61
• Vertical Cylinder Multi-valve	49
W & Y	
• Wet Suits	242
• Wetline Assembly	104
• Wheel Chocks	230
• Will Call Monitor	70
• Wire-Braided Hose	99
• Wire-Braided Hose & Fittings	271
• Wire-Braided Hose Couplings	99
• Y-Strainers	191,229

Squibb-Taylor's Quality Policy

We will provide defect-free products and service to our customers and associates.

We will fully understand the requirements of our jobs and the systems that support us.

We will conform to these requirements at all times.

Squibb-Taylor, Inc., established in 1947, has been serving the LP-Gas industry with quality lines and services for over sixty years.

Squibb-Taylor, Inc., is responsible for the marketing of Taylor's liquid level gauges and PGI International valves for the LP-Gas industry. We are also a stocking distributor for other manufactured LP-Gas products. **SQUIBB-TAYLOR DOES NOT DESIGN OR MANUFACTURE ANY PRODUCTS IN THIS CATALOG.**

The Dallas facility houses 24,500 square feet of space, of which 14,500 square feet are devoted to its warehouse that stocks some 10,000 separate items.

We wish to thank you for the support and confidence you have shown in Squibb-Taylor and hope relationships will continue for decades to come.

TERMS & CONDITIONS

Payment

To customers with established credit, *net 30 days from date of invoice*. Customers without established credit will be shipped C.O.D., credit card with percentage upcharge or cash in advance.

Prices

Prices are subject to change without notice.

Shortage Claims

Claims for shortages must be made within 10 days after receipt of shipment.

Warranty

Warranties as expressed by individual manufacturers will be honored.

Returned Material

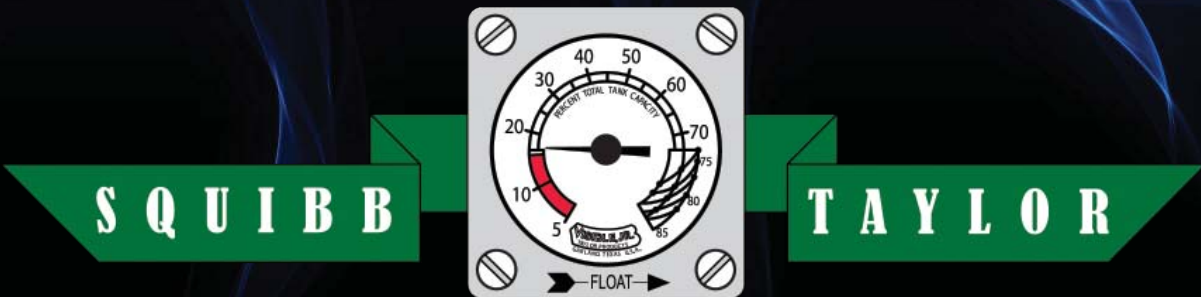
No material should be returned for credit without Seller's prior approval. Transportation charges must be prepaid. A restocking charge may apply. Merchandise returned must be accompanied by a Returned Goods Authorization (RGA) number, which is provided to customer by Squibb-Taylor.

Taxes

Buyer shall be liable for all Sales, Use, or Excise taxes not included in total invoice price.

Special Orders

On special items we order that are not normal stock items, we cannot accept cancellations or returns and may require prepayment at the discretion of Squibb-Taylor.



www.squibbtaylor.com

10480 Shady Trail #106
Dallas, Tx. 75220

800.345.8105
Ph 214.357.4591
Fax 214.357.5923

3094 Connahbrook
Memphis, Tn. 38116

800.238.2664
Ph 901.332.5272
Fax 901.346.1790